

- Drum clamps as forklift attachments to transport 1 drum
- Suitable for 220 litre plastic drums or 205 litre steel ribbed drums
- Includes wing nuts to secure the clamp to the forklift
- With long lasting powder-coating in blue (RAL 5010)

Drum clamp Model SK, tested and suitable for use in Ex Zones



Safe transport of plastic and steel drums

- With adjustable, automatically closing drum clamp to grasp and firmly hold the drum
- Secure grip even for different sizes of drum
- Tested and suitable for use in EX zones: IIB T4 Zone 1

- Suitable for 220 litre plastic drums and 205 litre steel ribbed drums

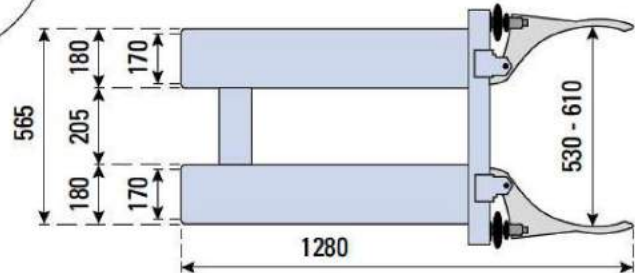


Easy to adjust for any drum type with handwheel and scale



£ 1,134.00

Order no. 212-869-J9



Top view: drum clamp model SK

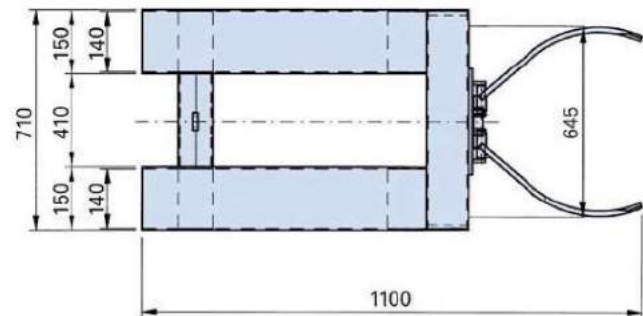
Drum clamp FK



£ 973.00

Order no. 164-394-J9

- With automatically closing drum clamp to grasp and firmly hold the steel drum
- Suitable for use with 205 litre steel ribbed drums



Top view: drum clamp FK

Model	FK	SK
Suitable for	205 litre steel ribbed drum / steel lidded drum	205 litre steel ribbed drum / steel lidded drum and 220 litre plastic lidded drum / plastic L Ring drum
Overall load capacity [kg]	350	300
External dimensions W x D x H [mm]	710 x 1100 x 160	675 x 1280 x 220
Forklift pocket W x H [mm]	150 x 55	170 x 70
Weight [kg]	56	47
Order number	164-394-J9	212-869-J9
Price / Item(s)	£ 973.00	£ 1,134.00

Drum gripper SH

- Practical transport of up to 2 x 205 litre steel drums
- Secure grip even on uneven surfaces
- One-person operation - no need for an additional person when approaching and picking up the drum

from £ 1,158.00

By driving up to the top rim of the drum and lifting the drum, the gripper will automatically grip the rim of the drum. The gripper anchors itself on the edge of the drum during the lifting process. When placing the drum on the ground again, the locking device on the gripper releases automatically.



- Secure attachment of steel drums and clamping Ring drums
- Height adjustable
- Sturdy welded design in steel
- Forklift attachment module with long lasting powder-coating in blue (RAL 5010)
- Quick and easy to fit to the forklift forks
- Automatic grip when the drum is lifted
- Automatic clamp release when the drum is lowered

Spill pallets with approval for the storage of hazardous materials

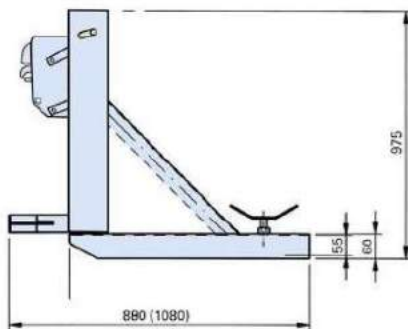
From page 26



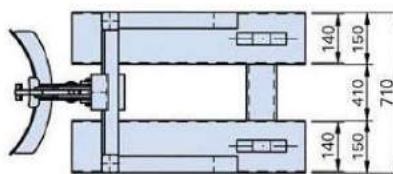
Drum gripper model SH 1 for 1 x 205 litre drum, load capacity: 350 kg



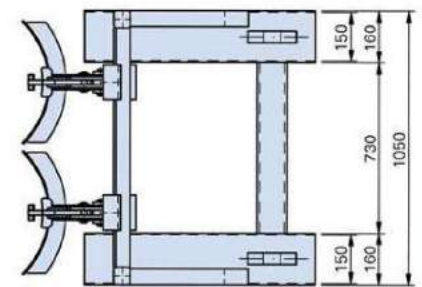
Drum gripper model SH 2 for 2 x 205 litre drums, load capacity: 2x350 kg



Side view: drum gripper SH 1 and SH 2



Top view: drum gripper SH 1



Top view: drum gripper SH 2

Model	SH 1	SH 2
Overall load capacity [kg]	350	700
Suitable for	1 x 205 litre steel ribbed drum / steel lidded drum	2 x 205 litre steel ribbed drums / steel lidded drums
External dimensions W x D x H [mm]	710 x 890 x 975	1050 x 1080 x 975
Forklift pocket W x H [mm]	140 x 55	150 x 55
Weight [kg]	70	110
Order number	115-223-J9	115-225-J9
Price / Item(s)	£ 1,158.00	£ 1,918.00

Expert Hotline and Order line: 01952 700 572

All items free delivery Delivery: available from stock **DENIOS**

343

■ **Lifting, turning, emptying of drums**

The drum tilting attachment is an accessory for fork lift trucks, and is suitable for lifting, turning, controlled emptying of drums and transporting drums. Easy to use one-man operation.



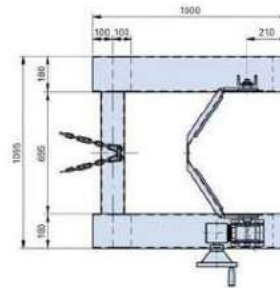
from £ 1,628.00

Drum turner SV



Drum turner SV

- Suitable for drums with Ø of 380 to 600 mm
- Also available as ex-proof versions complying with ATEX
- Ideal for 60 to 220 litre plastic I-ring and covered drums and 60 and 200 litre steel ribbed and clamping Ring drums
- Self-locking worm gear with an easy to operate hand wheel
- Pivoted prism jaws with securing belt at the front
- Chain to secure the tilting attachment to the fork lift truck
- Rotation range: 180°



Top view: drum turner SV



Drum turner SVK

£ 1,442.00

Order no. 164-393-J9

Drum turner SVK

- The chain ensures controlled emptying of the drum at the desired height and is easy to operate from the driver's seat
- The tilting attachment has bolts to secure it to the fork lift truck
- Sturdy welded design in steel
- With long lasting powder-coating in blue (RAL 5010)
- Rotation range: > 360°



Driver operates the chain from the seat of the forklift truck

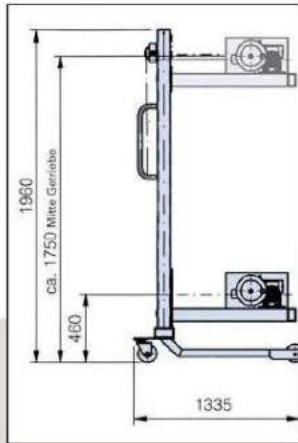
Model	SV	SVK
Use	60 to 220 litre plastic and 60/205 litre steel drums	205 litre steel drum
Overall load capacity [kg]	300	300
Weight [kg]	90	70
Forklift pocket W x H [mm]	170 x 70	180 x 65
Distance between fork pockets [mm]	695	620
Order number Standard version	115-286-J9	164-393-J9
Price / Item(s)	£ 1,628.00	£ 1,442.00
Order number Explosi-on-proof version	147-724-J9	-
Price / Item(s)	£ 1,837.00	-

Drum lifter model FW-D(X)

- **Lifting, turning and emptying of 205/220 litre steel and plastic drums**
- Safety handle can be operated with one hand and has A 3 way function (lifting / lowering / transporting)
- Additional foot pedal for accurate lifting
- The extended wheel and safety grid ensure maximum safety for the user
- 2 fixed castors and 2 swivel castors (with brakes and foot guard) ensure easy manoeuvrability
- The wide wheelbase allows Euro pallets to be loaded from the narrow side
- Rotation range: 180°
- With long lasting powder-coating in blue (RAL 5010)

Model FW-D: for steel drums

- **Safety hooks beneath the drum protect and retain the steel drum**



Side view: drum lifter model FW-D

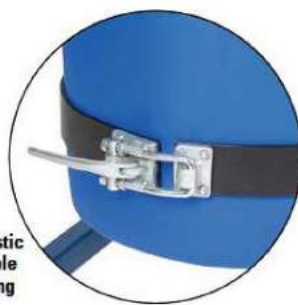


Detail: safety handle



Model FW-DX: for steel and plastic drums

- **With additional safety clamp - the plastic drum is safely gripped and held**



Safety clamp for plastic drums, with adjustable lever operated locking clamp



Model	FW-D	FW-DX
Suitable for	205 L steel drums	205 /220 litre steel and plastic L Ring drums
Overall load capacity [kg]	350	
Lift height max [mm]*	1270	
External dimensions W x D x H [mm]	1105 x 1335 x 1960	
Clear chassis width [mm]	940	
Ground clearance [mm]	150	
Order number	227-163-J9	236-464-J9
Price / Item(s)	£ 1,438.00	£ 1,708.00

*Measured at the lower edge of the 205 litre steel drum (max. Lift height may differ for other types of drum)

Expert Hotline and Order line: **01952 700 572**

All items free delivery Delivery: **available from stock** **-DENIOS-**

Drum lifter type servo FL - the flexible drum lifter for production and operation.

■ Rigid, torsion-resistant steel frame with blue powder coating

Drum lifters from the Servo range offer suitable solutions for many applications:

On the following pages you'll find 3 wheelbase types, combined with 4 practical and sturdy drum gripper types - for lifting, transporting or turning steel and plastic drums.

- Model Servo FL 8: 154 cm high, narrow wheelbase
- Model Servo FL 12: 154 cm high, wide wheelbase
- Model Servo FL 16 F: 213 cm high, wide wheelbase

- Lifting with a foot operating hydraulic system
- Lowering with a separate foot operated pedal
- Easy to manoeuvre with 2 fixed and 2 swivel castors (with brakes)



Practical foot pump for ergonomic drum lifting

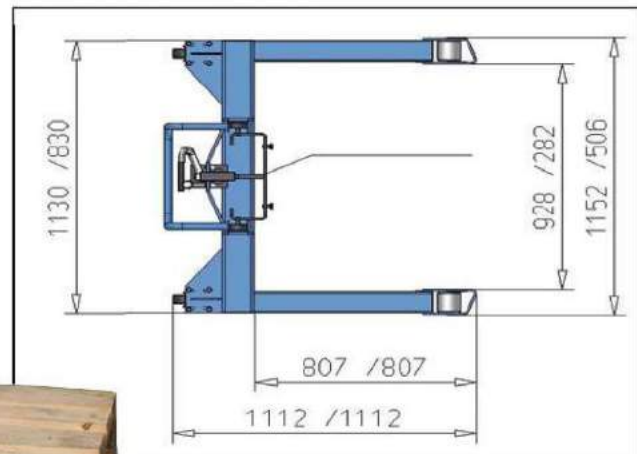


Narrow wheelbase - for inserting in Euro pallets or various denios spill pallets



Wide wheelbase - for positioning "around" Euro pallets and denios spill pallets. Reaching over a Euro pallet is also possible, for example to pick up a drum standing at the back.

Dimensions wide / narrow wheelbase



Drum lifter servo FL with drum gripper model M

- Special gripper mechanism for 60 litre and 205 litre steel ribbed drums and steel clamping Ring drums
- Load capacity: 300 kg



Model	FL 8-M	FL 12-M	FL 16-M F
Wheelbase	Narrow	Wide	Wide
Clear chassis width [mm]	278	974	974
Height [mm]	1605	1605	2135
Lift height min [mm]	120	0	0
Lift height max [mm]*	740	740	1390
Order number	181-092-J9	115-218-J9	181-098-J9
Price / Item(s)	£ 1,742.00	£ 1,818.00	£ 2,128.00

*Measured at the lower edge of the 205 litre steel drum (max. Lift height may differ for other types of drum)



from £ 1,742.00

Servo FL 8 drum lifter with drum clamp model M

Drum lifter servo FL with drum clamp Model K

- Drum clamp with automatic closing, for 205 litre steel drums
- Load capacity: 300 kg



Model	FL 8-K	FL 12-K	FL 16-K F
Wheelbase	Narrow	Wide	Wide
Clear chassis width [mm]	278	974	974
Height [mm]	1605	1605	2135
Lift height min [mm]	120	0	0
Lift height max [mm]*	520	520	1170
Order number	138-379-J9	115-215-J9	181-094-J9
Price / Item(s)	£ 1,818.00	£ 1,918.00	£ 2,112.00

*Measured at the lower edge of the 205 litre steel drum (max. Lift height may differ for other types of drum)



from £ 1,818.00

Model servo FL 12 drum lifter with Model K drum clamp

Drum lifter servo FL with drum clamp model SK

- Drum clamp is adjustable, has automatic closing, universally suited to all 205 / 220 litre steel and plastic drums
- Load capacity: 300 kg



Model	FL 8-SK	FL 12-SK	FL 16-SK
Wheelbase	Narrow	Wide	Wide
Clear chassis width [mm]	278	974	974
Height, external [mm]	1605	1605	2135
Lift height min [mm]	120	0	0
Lift height max [mm]*	520	520	1170
Order number	214-474-J9	214-475-J9	214-476-J9
Price / Item(s)	£ 2,030.00	£ 2,067.00	£ 2,324.00

*Measured at the lower edge of the 205 litre steel drum (max. Lift height may differ for other types of drum)



from £ 2,030.00

Drum lifter model servo FL 8 with drum clamp model SK

Expert Hotline and Order line: 01952 700 572

All items free delivery Delivery: available from stock **DENIOS** 347

Servo FW 12 with wide chassis, high version.

£ 2,515.00

Order no. 115-293-J9



Servo model FW, with >360 ° range of rotation

- For lifting, rotating, mixing, dosing, regulated emptying and transporting
- Gripping system with rotatable prism jaws - ideal for 60 to 220-litre plastic L Ring drums and lidded drums, as well as 60 and 205 litre steel ribbed drums and clamping Ring drums

- Plastic and steel drums are picked up and held securely
- Load capacity: 300 kg
- Rotation range: > 360°
- Easy to manoeuvre with 2 fixed- and 2 swivel castors (with brakes)
- Practical foot pump for ergonomic drum lifting
- A separate foot pedal is used to lower the drum
- Rigid, torsion-resistant steel frame with blue powder coating

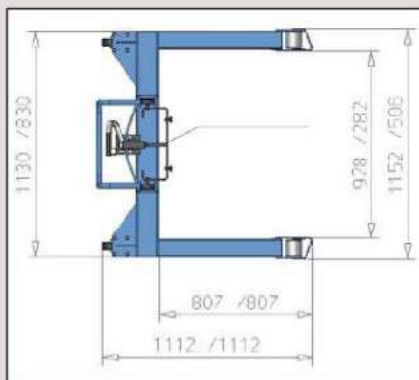
Self-locking sensitive gears with hand wheel, range of rotation: 360°



Servo FW 12 with wide chassis, low version

£ 2,177.00

Order no. 181-090-J9



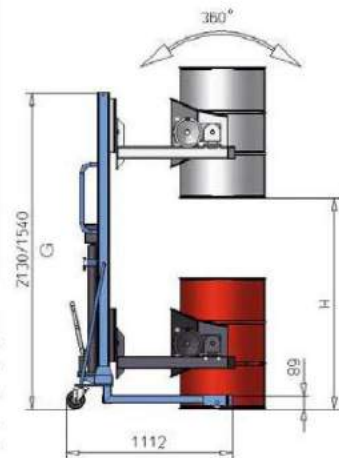
Dimensions wide / narrow wheelbase

2 wheelbase options are available:

The narrow wheelbase helps accessing forklift pockets in Euro pallets or different DENIOS spill pallets. Drums can be removed from the Euro pallet and placed on the accessible spill pallet in the store. The wide wheelbase is useful for driving over Europallets. This ensures that drums at the back of the pallet can be reached easily. DENIOS spill pallets for 1 and 2 drums can also be easily loaded. All Servo drum lifter models with a wide wheelbase are available in 2 different heights (see tables), with lifting ranges of up to max. 1450 mm.

Model	FW 8	FW 12	FW 16-F
Wheelbase	Narrow	Wide	Wide
Clear chassis width [mm]	278	974	974
Height, external [mm]	1605	1605	2135
Lift height min [mm]	120	0	0
Lift height max [mm]*	750	750	1400
Order number	181-088-J9	181-090-J9	115-293-J9
Price / Item(s)	£ 2,116.00	£ 2,177.00	£ 2,515.00

*Measured at the lower edge of the 205 litre steel drum (max. Lift height may differ for other types of drum)



Side view model servo FW, with >360 ° turning range

Model LD - with automatic drum gripper

■ Euro pallets or DENIOS spill pallets can be loaded over the CORNER

- Simple, safe loading for example of Euro pallets and denios spill pallets with drum lifter ld!
- Versatile and space saving - 2 swivel castors (with brake) ensure precise parking for storage
- Easy drum lifting using the foot pump, lowering with separate foot pedal
- When the foot hydraulics are activated the drum is automatically grabbed and held safely



£ 972.00
Order no. 227-161-J9

Overview of models:

Type LD

- with self-closing gripping mechanism.

- Specially for 205 litre steel ribbed drums and steel clamping Ring drums

Model LD

-SK - with self-closing drum clamp

- For 220 litre L Ring and lidded plastic drums as well as 205 litre steel drums
- Drum clamp, with handwheel for easy adjustment for different-sized drums

Simple sump loading over the corner using drum lifter LD for 205 litre steel drums. Also available with version LD-SK for plastic drums – for details see table



£ 1,388.00
Order no. 201-867-J9

Drum lifter type LD-SK

Handwheel with scale for exact fitting of the clamp on any type of drum

Model	LD	LD-SK
Use	Lifting / transporting steel drums	Lifting / transporting steel/plastic drums
Overall load capacity (kg)	350	300
Lift height max (mm)*	485	500
External dimensions W x D x H (mm)	1120 x 900 x 1260	1120 x 900 x 1260
Order number	227-161-J9	201-867-J9
Price / Item(s)	£ 972.00	£ 1,388.00

*Measured at the lower edge of the 205 litre steel drum (max. Lift height may differ for other types of drum)

Euro pallets can be reached over so that a drum in the centre can easily be accessed

Developed for EX areas

The highest levels of functionality and safety



Drum lifter Secu EX

Versions:

Drum lifter Secu EX is available with 3 different drum gripper types, for **lifting, transporting** and **turning** steel and plastic drums. Choose the drum gripper which meets your application needs with one of the **3 wheelbase options: narrow wheelbase, wide wheelbase or splayed wheelbase** (a detailed description can be found on the following product pages)

■ Narrow wheelbase

EG with drum turner model W



■ Wide wheelbase

EG with drum clamp model SK



■ Splayed wheelbase

EG with drum gripper model M



Storing and handling drums in EX zones requires the right equipment. DENIOS has developed the new Secu EX drum lifter for use in EX zones based on the wide experience of our engineers and safety experts.

This means: maximum safety for the user in sensitive working areas and **ATEX conformity** as standard.

Design and function work perfectly together with the Secu EX drum lifter. This makes it a dream to use. The complete design of the Secu EX is maintenance friendly.

Secu EX drum lifter with model M drum gripper

■ For lifting and transporting 205 litre steel ribbed or clamping Ring drums

- The steel drum is automatically gripped at the upper edge of the drum and is securely held
- Drums can be easily raised using the foot pump, precise lowering with separate foot pedal
- Lifting height up to 1405 mm

£ 3,652.00

Order no. 236-561-J9

Variants:

Narrow wheelbase - for inserting in Euro pallets and positioning under spill pallets

- 2 fixed castors and 2 swivel castors (with brakes and foot guard)

Wide wheelbase - to drive around Euro pallets and spill pallets

- 2 fixed castors and 2 swivel castors (with brakes and foot guard)

Splayed wheelbase - ideal for moving "over the corner" of spill pallets or moving over Euro pallets

- Angle adjustable to 2 positions
- 4 large swivel castors for easy transport and space-saving storage in narrow spaces



Secu EX drum lifter with drum gripper model M, short version with narrow wheelbase



Gripper head with integral equipotential bonding - EX proof even in the smallest details



Folding foot pedal and foot protection for optimal safety

Secu EX with drum gripper model M, high version with wide wheelbase, Order no. 236-560-J9



Wheelbase	Narrow		Wide		Splayed	
Overall height [mm]	1635	2135	1635	2135	1755	2255
Lift height max [mm]*	905	1405	905	1405	905	1405
Lift height min [mm]	120	120	0	0	0	0
Use	Lifting / transporting steel drums					
Overall load capacity [kg]	300					
External dimensions W x D [mm]	1216 x 1233				1132 x 1290	
Order number	236-561-J9	236-562-J9	236-559-J9	236-560-J9	236-563-J9	236-564-J9
Price / Item(s)	£ 3,652.00	£ 3,776.00	£ 3,583.00	£ 3,755.00	£ 4,165.00	£ 4,346.00

*Min/max lift height measured from the ground or Euro pallet to the lower edge of a 205 litre steel drum. May differ for other types of drum

i All wheelbase options are available in either a short or a high version (see table for details) - short version: for example for loading pallets and denios spill pallets - high version: for example for loading denios spill pallets or loading drum racks.

The highest levels of functionality and safety



Drum lifter Secu EX with drum clamp SK.

Secu EX drum lifter with model SK drum clamp

- For lifting and transporting 205/220 litre steel and plastic drums
- The automatically closing drum gripper is quick to adjust - to ensure different sizes of drum are securely held
- Drums can be easily raised using the foot pump, precise lowering with separate foot pedal
- Lifting height up to 1320 mm

Variants:

Narrow wheelbase - for inserting in Euro pallets and positioning under spill pallets

- 2 fixed castors and 2 swivel castors (with brakes and foot guard)

Wide wheelbase - to drive around Euro pallets and spill pallets

Splayed wheelbase - ideal for moving "over the corner" of spill pallets or moving over Euro pallets

- Angle adjustable to 2 positions
- 4 large swivel castors for easy transport and space-saving storage in narrow spaces



Simple access over the CORNER of the spill pallet to reach drums placed at the sides



Handwheel with scale and lock for easy adjustment to drum diameter

The splayed wheelbase can easily move over Euro pallets Even a drum standing at the back can easily be reached

Wheelbase	Narrow		Wide		Splayed	
Overall height [mm]	1635	2135	1635	2135	1755	2255
Lift height max [mm]*	700	1200	700	1200	820	1320
Lift height min [mm]	120	120	0	0	0	0
Use	Lifting / transporting steel/plastic drums					
Overall load capacity [kg]	300					
External dimensions W x D [mm]	1216 x 1233				1132 x 1290	
Order number	236-567-J9	236-568-J9	236-565-J9	236-566-J9	236-569-J9	236-570-J9
Price / Item(s)	£ 3,866.00	£ 3,968.00	£ 3,825.00	£ 3,929.00	£ 4,356.00	£ 4,539.00

*Min/max lift height measured from the ground or Euro pallet to the lower edge of a 205 litre steel drum. May differ for other types of drum

i All wheelbase options are available in either a short or a high version (see table for details) - short version: for example for loading pallets and denios spill pallets - high version: for example for loading denios spill pallets or loading drum racks.

Secu EX drum lifter with model W drum turner

- For lifting, transporting and turning 60 to 220 litre plastic I-ring and lidded drums and 60 to 205 litre steel ribbed and clamping Ring drums
- Rotation range: > 360°
- Gripper system with prism jaws and tension belt - drums of various types and sizes can be safely picked up and held
- For lifting, turning, mixing, regulated emptying
- Easy to operate gears with handwheel ensure the drum is precisely positioned when turning
- Drums can be easily raised using the foot pump, precise lowering with separate foot pedal
- Easily manoeuvrable with 2 swivel and 2 fixed castors (swivel castors with brake)
- Lifting height up to 1430 mm

from £ 4,453.00

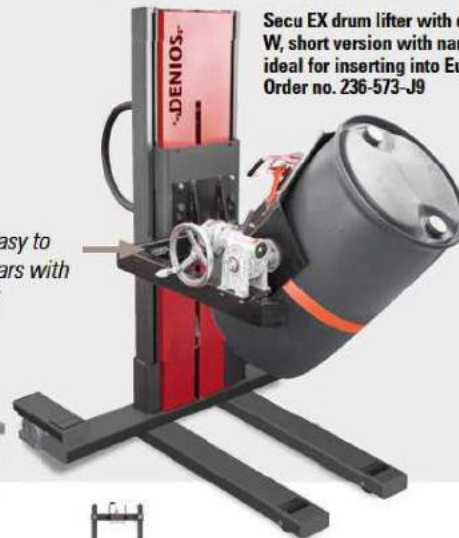


Drum lifter Secu EX - with drum turner model W for steel and plastic drums

Secu EX drum lifter with drum turner model W, high version with wide wheelbase for moving around spill pallets, Order no. 236-572-J9



Secu EX drum lifter with drum turner model W, short version with narrow wheelbase - ideal for inserting into Euro pallets, Order no. 236-573-J9



Ex-proof, easy to operate gears with handwheel

Wheelbase	Narrow		Wide	
Overall height [mm]	1635	2135	1635	2135
Lift height max [mm]*	930	1430	930	1430
Lift height min [mm]	120	120	0	0
Use	Lifting / turning / transporting steel/plastic drums			
Overall load capacity [kg]	300			
External dimensions W x D [mm]	1216 x 1233			
Order number	236-573-J9	236-574-J9	236-571-J9	236-572-J9
Price / Item(s)	£ 4,447.00	£ 4,553.00	£ 4,453.00	£ 4,455.00

*Min/max lift height measured from the ground or Euro pallet to the lower edge of a 205 litre steel drum. May differ for other types of drum

i The Secu EX model W drum lifter is available with either a narrow or wide wheelbase and either a short or high version.



Folding foot pedal and foot protection for optimal safety