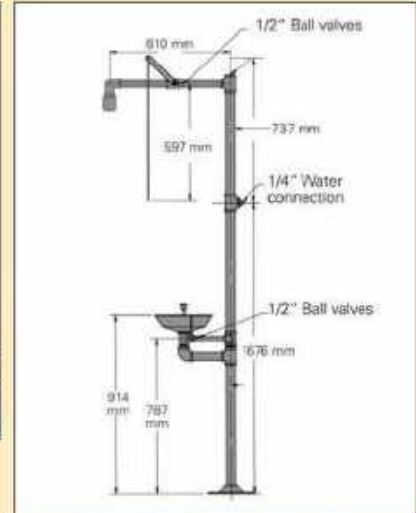


### Body showers with eye shower

- For rapid first aid after an accident to prevent contamination of the body and eyes
- Easy operation of the body shower with a stainless steel handle
- The aerated plastic water jets ensure the water is a gentle spray
- Water flow for body shower: > 60 L/min. At 2 bar pressure, water connection 1 1/4"
- Eye shower with 2 spray nozzles with self-regulating flow control, filter and dust covers
- Simple operation of the eye shower with large pressure plate
- Water flow for eye shower: > 12 L/min. At 2 bar pressure
- For floor mounting, incl. base plate



The plastic spray head on the showerhead allows the water to gush out gently. This ensures that you can wash thoroughly.



This diagram only applies to emergency shower models G 1931, G 1902-P, G 1902, G 1991



#### Emergency combination shower G 1931

- Galvanised steel tube
- Eye wash shower without basin

**£ 917.00**

Order no. 117-467-J9



#### Emergency combination shower G 1902-P

- Galvanised steel tube
- Eye wash shower with plastic basin

**£ 943.00**

Order no. 117-426-J9



#### Model G 1902

- Galvanised steel tube
- Eye wash shower with stainless steel basin

**£ 1,044.00**

Order no. 117-412-J9

#### ACCESSORIES

- Foot pedal for opening and activating the eye shower, Order no. 216-988-J9, £ 129.00

## Eye and body shower model MB 250

- Free standing, heated, insulated body shower with eye shower
- For outdoor use
- Piping and pipe joints in hot dip galvanised steel, additionally insulated
- White polyethylene (PE) casing with white / green safety stripes
- EX proof EX II 2 GD IIC c T3 (T200°C) X
- Water flow for body shower: > 60 L/min at 2 bar pressure, water connection: 1 1/4"
- Water flow for eye shower: > 12 L/min. At 2 bar pressure
- Aerated water jets ensure the water is a gentle spray
- Flow regulator for eye shower
- Heating via self-regulating heating cable, electrical connection: 230 V 50 Hz
- Easy operation of the emergency body shower with a drawbar
- Flap and protective lid acts as control for eyewash station



### Frost-proof down to -15°C

Eye and body shower model  
MB 250 (exp-eh 5G/ 45G),  
Order no. 117-471-J9, £ 2,972.00

Eye and body shower model MB 250  
(exp-eh 5G/ 45G), with DVGW approval,  
Order no. 165-453-J9, £ 3,172.00

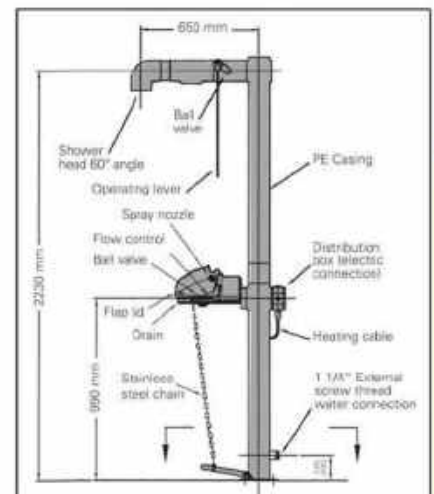
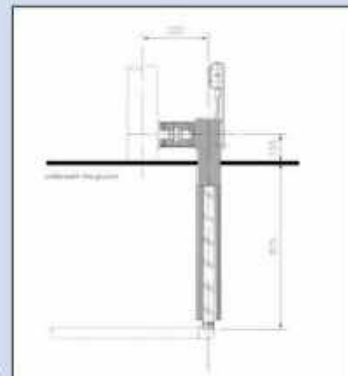
### Frost-proof down to -25°C

Eye and body shower model  
MB 250 (exp-ah 5G/ 45G),  
Order no. 138-217-J9, £ 3,288.00

Eye and body shower model MB 250  
(exp-ah 5G/ 45G), with DVGW approval,  
Order no. 165-454-J9, £ 3,539.00

## ACCESSORIES

- Foot pedal for opening and activating the eye shower,  
Order no. 117-482-J9, £ 104.00
- Heated underfloor extension pipe for frost-free water supply, ex-proof,  
Order no. 117-472-J9, £ 693.00



## Model G 1991, stainless steel

- Stainless steel design, giving optimal corrosion protection
- Eye wash shower with stainless steel basin

**£ 2,808.00**

Order no. 117-468-J9

## ACCESSORIES

- Stainless steel foot pedal for turning the eye shower on and off, for model G 1991,  
Order no. 216-989-J9, £ 194.00



■ Fast treatment in the event of an eye injury



**£ 304.00**

Order no. 117-458-J9

### Eye shower G 5014

- For wall mounting using mounting bracket
- 2 spray heads (including dust cover) for ensuring a comfortable, equal pressure to both eyes
- Simple operation with large pressure plate
- Water connection: 3/8"
- Water flow: > 12 L/min at 2 bar
- Hose length: 3,5 metres
- Integral safety valve and securing mount



**£ 154.00**

Order no. 117-444-J9

### Eyewash station G 5025

- For wall mounting using mounting bracket
- 1 actuator (including protective cover) facilitates an even amount of water pleasing to the eye
- Simple to use with valve lever
- Water connection: 3/8"
- Water flow: > 6 L/min at 2 bar
- Hose length: 2,5 metres
- Integral safety valve and securing mount



**£ 304.00**

Order no. 117-462-J9

### Eye shower G 5026

- For wall mounting using mounting bracket
- 2 spray heads (including dust cover) for ensuring a comfortable, equal pressure to both eyes
- Simple to use with valve lever
- Water connection: 3/8"
- Water flow: > 12 L/min at 2 bar
- Hose length: 2,5 metres
- Safety valve and securing mount

### Eye shower MB 45

- For wall mounting
- Housing and folding lid in shock resistant plastic (white)
- Aerated water jets for a gentle spray
- Equipped with a flow regulator and integrated hinged protective lid for activation and operation
- Universal signage on flap lid
- Water connection: 1/2"
- Water flow: > 12 L/min at 2 bar
- Dimensions W x D x H (mm): 340 x 270 x 205



**£ 508.00**

Order no. 117-470-J9

- Eye shower model MB 45 (STD-45G),  
Order no. 117-470-J9, £ 508.00
- Eye shower model MB 45 (STD-45G), with  
DVGW approval, incl. 1/2" Connection  
set with hose (400 mm long), testable  
backflow inhibitor with testing screw and  
shut-off valve,  
Order no. 165-452-J9, £ 579.00

**i** For bumps to the eyes it is necessary to wash immediately in order to prevent lasting damage. A rinsing time of 20 minutes is recommended here.



**£ 283.00**

Order no. 117-466-J9

### Eyewash station G 1819

- For wall mounting using mounting bracket
- 2 spray nozzles with self-regulating flow control, filter and dust covers
- Simple operation with large pressure plate
- Water connection: 1/2"
- Water flow: > 12 L/min at 2 bar

- Fast treatment in the event of an eye injury
- Patented protective dust caps open automatically when operated

### Eyewash station G 1750

- For wall attachment
- 2 spray nozzles with self-regulating flow control, filter and dust covers
- Simple operation with large pressure plate

- Water connection: 1/2"
- Water flow: > 12 L/min at 2 bar
- With either stainless steel (model G 1750) or plastic (model G 1750-P) basin



Model G 1750-P with synthetic bowl

**£ 344.00**

Order no. 117-449-J9



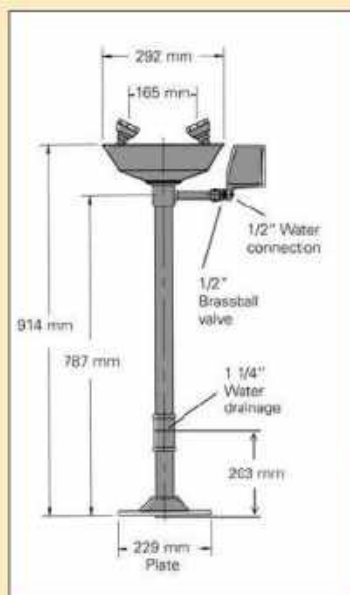
Model G 1750 with stainless steel bowl

**£ 434.00**

Order no. 117-439-J9

### Eyewash station G 1760

- With a stand pipe and base plate for floor mounting
- 2 spray nozzles with self-regulating flow control, filter and dust covers
- Simple operation with large pressure plate
- Water connection: 1/2"
- Water flow: > 12 L/min at 2 bar
- With either stainless steel (model G 1760) or plastic (model G 1760-P) basin



Model G 1760-P with plastic basin

**£ 309.00**

Order no. 117-447-J9

Model G 1760 with stainless steel basin

**£ 409.00**

Order no. 117-448-J9

### Eyewash station G 5022

- 2 chromed spray nozzles with self-regulating flow control, filter and dust covers
- For bench mounting
- Simple to use with valve lever
- Extendable plastic hose (2400 mm in length)
- Water connection: 3/8"
- Water flow: > 12 L/min at 2 bar



Eye shower model G 5022

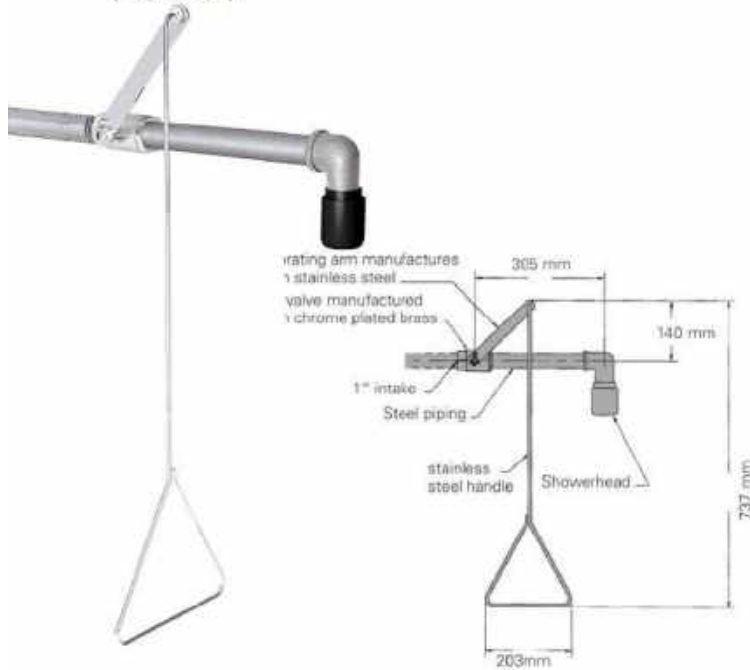
**£ 363.00**

Order no. 117-440-J9



### Emergency body showers model G 1643 and model G 1691

- For wall mounting
- Easy operation with a stainless steel handle
- Water connection: 1" inlet (NPT internal thread)
- Water discharge quantity: > 60 L/min. At 2 bar
- Shower head in plastic
- Available either in galvanised version (model G 1643) or stainless steel (model G 1691)



Body shower model G 1643 in galvanised steel pipe

**£ 296.00**

Order no. 117-415-J9

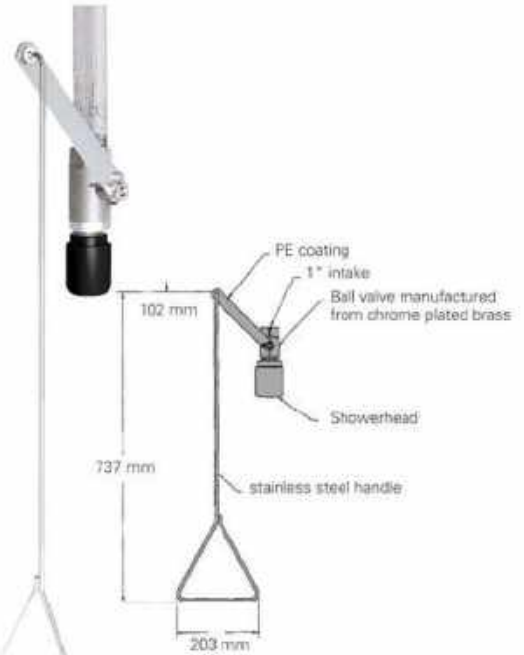
Body shower model G 1691 in stainless steel

**£ 582.00**

Order no. 117-454-J9

### Emergency body showers model G 1635 and model G 1692

- For ceiling mounting
- Easy operation with a stainless steel handle
- Water connection: 1" inlet (NPT internal thread)
- Water discharge quantity: > 60 L/min. At 2 bar
- Shower head in plastic
- Available either in galvanised version (model G 1645) or stainless steel (model G 1692)



Body shower model G 1635 in galvanised steel pipe

**£ 216.00**

Order no. 117-437-J9

Body shower model G 1692 in stainless steel

**£ 539.00**

Order no. 117-455-J9



60 litre water container, size W x D x H (mm): 660 x 310 x 665

**£ 387.00**

Order no. 117-425-J9

### Eye shower with 60 litre supply container G 1540

- Ideal for areas within the company where no supply of water is readily available
- The valve opens by folding forward the shower heads
- The liquid will flow from the nozzles by means of its own pressure, flow time is approx. 15 Minutes
- Incl. Wall mount and anti-septic for initial filling

#### ACCESSORIES

**Antiseptic for subsequent filling of the container**

Order no. 123-598-J9, £ 18.10

## Eye wash bottles

### Ready for use

- To quickly rinse in case of an eye injury, to prevent permanent damage
- Special eye bath attachments that help to keep the eyes open
- Ergonomically designed eye shield
- Handy plastic bottle, sealed and sterile, maintenance free
- Simple and safe to use with instructions for use and pictogram on the bottle
- Keeps for 3 years unopened
- Eyewash bottles, with either saline or ph-neutral phosphate buffer solution
- Washing time, model Mono: 200 ml bottle: approx. 2 Minutes, 500 ml bottle: approx. 5 Minutes; model Duo: 500 ml bottle: approx. 2 Minutes per eye, 1000 ml bottle: approx. 5 Minutes per eye



All eye wash bottles have an ergonomically shaped eye dish. Eyelids are open during the washing process so that the sterile solution directly reaches the inside of the injured eye.

- Duo rinses both eyes at the same time



Model Duo



Model Mono

GREAT PRICE

from £ 10.90

## ACCESSORIES

Eye wash belt bag, suitable for 200 ml bottles this ensures that an eye wash bottle is immediately to hand when dangerous work is undertaken.

Order no. 145-540-J9,  
£ 12.20



Model	Mono	Mono	Duo	Duo	Mono	Duo
Version - eye wash solution	Single bottle	Single bottle	Single bottle	Single bottle	Single bottle	Single bottle
Number of eye attachments	1	1	2	2	1	2
Contents [ml]	200	500	500	1000	200	500
Rinsing solutions	Saline solution	Saline solution	Saline solution	Saline solution	Ph-neutral	Ph-neutral
Order number	145-539-J9	123-481-J9	243-632-J9	188-942-J9	145-541-J9	188-943-J9
Price / Item(s)	£ 11.50	£ 17.40	£ 18.70	£ 29.00	£ 18.30	£ 30.50

Expert Hotline and Order line: 01952 700 572

All items free delivery Delivery: available from stock

**DENIOS** 437





Wall mount with 2 eye wash bottles,  
Order no. 137-641-J9, £ 64.50

### Emergency eyewash station with wall mounting

- To quickly rinse in case of an eye injury, to prevent permanent damage
- Wall mount eye wash bottles, pictograms that show usage and integrated mirror
- Delivered with fastenings
- Special eye bath attachments that help to keep the eyes open
- Ergonomically designed eye shield
- Ideal for keeping flushing solution always to hand for first aid in particularly hazardous workplaces
- Eyewash bottles, with either saline or pH-neutral phosphate buffer solution
- Washing time, model Mono: 200 ml bottle: approx. 2 Minutes, 500 ml bottle: approx. 5 Minutes; model Duo: 500 ml bottle: approx. 2 Minutes per eye, 1000 ml bottle: approx. 5 Minutes per eye



Wall mount with 1 eye wash bottle, without mirror,  
Order no. 123-482-J9, £ 45.00

Wall mount with 1 eye wash bottle,  
Order no. 188-945-J9, £ 62.00

Wall mount with 2 eye wash bottles,  
Order no. 188-944-J9, £ 78.00

**i** Important: In the event of any eye contamination, rinse the eye with a gentle stream of eye wash solution. Gently squeeze the eye wash bottle during the rinsing process. Medical advice must be sought for any injury or contamination of the eye. The eye should continue to be treated on the way to the hospital/doctor.

Model	Mono	Duo	Mono	Mono	Duo
Version - eye wash solution	Wall station	Wall station	Wall station	Wall station	Wall station
Number of eyewash bottles	1	1	2	2	2
Number of eye attachments	1	2	1	1	2
Rinsing solutions	Saline solution	Saline solution	Saline solution	pH-neutral + saline solution	pH-neutral + saline solution
Contents [ml]	500	1000	2 x 500	200 / 500	500 / 1000
Order number	123-482-J9	188-945-J9	137-641-J9	145-544-J9	188-944-J9
Price / Item(s)	£ 45.00	£ 62.00	£ 64.50	£ 57.50	£ 78.00



Wall mount with 2 eye wash bottles,  
Order no. 145-544-J9, £ 57.50

### Emergency eye injury guidelines

Hazardous substances	Recommended eye wash solution	Recommended treatment intervals	Continuous treatment until
Injuries in the mechanical industry e.g. from dust, dirt, metal	Eye wash solution*	Treat the eye approx. every 5 minutes until all hazardous substances or foreign bodies have been removed	Eye wash solution*
Acids	„pH-neutral“**	Treat the eye approx. every 2 minutes	Eye wash solution*
Alkalis	„pH-neutral“**	Treat the eye approx. every 2 minutes	Eye wash solution*
Other injuries through contact with chemicals	Eye wash solution*	Treat the eye carefully until irritation is no longer present	Eye wash solution*

\*Eye wash solution containing 0.9% saline solution, which complements the natural salt content in the eye.  
\*\*pH-neutral contains 4.9% phosphate solution, which is highly effective in neutralising acids and alkalis.



### Emergency eyewash station in wall mounted box

- Fast treatment in the event of an eye injury
- Optimum protection from contamination
- Dust-free wall box with fold down front, incl. Mounting kit
- Emergency eye wash station with 2 eyewash bottles, on hand at all times
- Special eye bath attachments that help to keep the eyes open
- Ergonomically designed eye shield
- Marked as eye wash station and fitted with mirror
- Particularly recommended for use in industry and in the workshop
- Eyewash bottles, with either saline or ph-neutral phosphate buffer solution
- Washing time, model Mono: 200 ml bottle: approx. 2 Minutes, 500 ml bottle: approx. 5 Minutes; model Duo: 500 ml bottle: approx. 2 Minutes per eye



from £ 62.00

Eye emergency station, with cover,  
Order no. 123-484-J9, £ 62.00

**i** The eye wash bottles have one (model Mono) or two (model Duo) ergonomically shaped eye baths. These keep the eyelid open during the washing process. In this way the sterile washing liquid directly reaches the injured eye.

- Duo rinses both eyes at the same time



Wall mounted box with 2 eyewash bottles, Model Duo (500 ml pH neutral, 500 ml saline solution), Order no. 243-633-J9, £ 69.50



Eye wash kit in a box,  
Order no. 145-542-J9, £ 65.00

Model	Mono	Mono	Duo
Version - eye wash solution	Wall box	Wall box	Wall box
External dimensions W x D x H (mm)	227 x 110 x 265	227 x 110 x 265	227 x 110 x 265
Number of eyewash bottles	2	2	2
Number of eye attachments	1	1	2
Rinsing solutions	Saline solution	Ph-neutral + saline solution	Ph-neutral + saline solution
Contents (ml)	2 x 500	200 / 500	2 x 500
Order number	123-484-J9	145-542-J9	243-633-J9
Price / Item(s)	£ 62.00	£ 65.00	£ 69.50

Expert Hotline and Order line: 01952 700 572

All items free delivery Delivery: available from stock **DENIOS**





Hand-eye shower with 1 spray head, angled,  
Order no. 201-239-J9, £ 199.00

### Eye showers

- High performance shower head with dust CAP
- Integrated flow-control for even flow, irrespective of water pressure
- Integrated backflow prevention device prevents dirty water from being sucked back into the drinking water network
- Housing in glass fibre reinforced plastic, medium-carrying parts in brass
- Handle with integrated, locking release mechanism
- Dual-purpose wall/table mounting
- Din-dvgw tested and certified



Hand-eye shower with  
2 spray heads, angled,  
Order no. 201-240-J9, £ 229.00

**from £ 167.00**

Model	BR 712 025	BR 713 025	BR 714 025
Number of spray heads	1	1	2
Spray head design	Straight	Curved	Curved
Material	Brass	Brass	Brass
Volume of water supplied for eye wash shower (-) [l/min]	7	7	14
Water connection	1/2"	1/2"	1/2"
Hose length [mm]	1500	1500	1500
Assembly	Wall- / table-mounted	Wall- / table-mounted	Wall- / table-mounted
Order number	201-238-J9	201-239-J9	201-240-J9
Price / Item(s)	£ 167.00	£ 199.00	£ 229.00

### Eye showers

- High performance shower head with dust CAP
- Integrated flow-control for even flow, irrespective of water pressure
- Integrated backflow prevention device prevents dirty water from being sucked back into the drinking water network
- Simple operation with large pressure plate
- Medium-carrying parts in brass
- Din-dvgw tested and certified



Eye shower with stainless steel basin,  
wall mounting, surface mounted,  
Order no. 201-244-J9, £ 332.00



Eye shower, 2 spray  
heads, bench mounting,  
Order no. 201-241-J9,  
£ 177.00

Model	BR 200 085	BR 210 085	BR 250 085	BR 300 085
Number of spray heads	2	2	2	2
Material	Stainless steel	Stainless steel	Stainless steel	Stainless steel
Volume of water supplied for eye wash shower (-) [l/min]	14	14	14	16
Water connection	1/2"	1/2"	3/4"	3/4"
Features	Without spill tray	Without spill tray	Without spill tray	With spill tray
Assembly	Table/workbench fitting	Wall-mounted - flush fitting	Wall-mounted	Wall-mounted
Order number	201-241-J9	201-242-J9	201-243-J9	201-244-J9
Price / Item(s)	£ 177.00	£ 177.00	£ 205.00	£ 332.00



Body shower for over-door mounting,  
Order no. 250-081-J9, £ 332.00

### Body showers

- High-power shower head for a standard spray pattern
- Integrated flow-control for even flow, irrespective of water pressure
- Stainless steel ball valve with pull rod operation



Body shower for wall mounting,  
green, Order no. 250-079-J9, £ 238.00

Model	BR 082 085 / 75L	BR 082 095 / 75L	BR 084 085 / 75L	BR 084 095 / 75L
Material	Stainless steel	Stainless steel	Stainless steel	Stainless steel
Colour	Green	-	Green	-
Surface	powder coated	Polished	powder coated	Polished
Volume of water supplied for body shower (-) [l/min]	75	75	75	75
Water connection	3/4"	3/4"	3/4"	3/4"
Assembly	Wall-mounted	Wall-mounted	Over-door mounting	Over-door mounting
Order number	250-079-J9	250-080-J9	250-081-J9	250-082-J9
Price / Item(s)	£ 238.00	£ 318.00	£ 332.00	£ 429.00

§

**Suggestions and tips for handling hazardous substances based on country-specific and European legislation.**

**Emergency showers**

In areas where aggressive fluids or flammable substances are being handled for example, there is a permanent risk that someone may have an accident which could injure their body and their eyes through contact with substances that are harmful to health. Body and eye showers are required as emergency measures in many different areas. The following legislation and guidelines must be observed:

**European work safety regulations ASIV (extract):**

§ 39 – First aid equipment

(1.) Workplaces must have the required first aid equipment available.

**EN 15154 Safety showers**

EN 15154 is divided into five sections.

- **Part 1** "Body showers with a connection to the water mains for laboratories"
- **Part 2** "Eye showers with a connection to the water mains"
- **Part 3** "Body showers without a connection to the water mains"
- **Part 4** "Eye showers without a connection to the water mains"
- **Part 5** "Body showers with a connection to the water mains for locations other than laboratories"

**Parts 1 and 2** govern the minimum requirements for "Body and eye showers with a connection to the water mains". It must be ensured that suitable showers are available in potentially hazardous work areas and that they supply a sufficient quantity of fluid immediately so that the body and/or eyes can be quickly showered after contact with hazardous substances or after burns.

**Parts 3 and 4** govern the minimum requirements for "Body and eye showers without a connection to the water mains". These are designed to be kept in readiness near to a person in a potentially dangerous workplace. The main role of these showers is emergency first aid. Both parts separate the body and eye showers into mobile, portable, personal, single use or multi-use.

**Part 5** governs the minimum requirements for "Body showers with a connection to the water mains for locations other than laboratories" and is valid from 2019.

The regulations are clearly aligned with DIN 12899-3 (Issued April 2009).

**Operation**

Simple, reliable operation is vital. Operation of the shower must be possible with a simple movement. The EN standard specifies that the valve must not automatically close once it has been opened.



**Immediate action for accidents**

When there is an injury, washing should be started immediately and a doctor called. Washing should also be continued during transport of the patient by using eye wash bottles for example.

**Eye wash bottles**

are also suitable for rooms where workers are not always present (eg battery rooms or construction sites). Eye wash bottles can be used to ensure treatment for an injury during the vital first seconds. An eye wash bottle containing 500 ml has sufficient fluid for about 4 minutes washing. In order to ensure a longer period of washing, additional eye wash bottles should be made available or an eye wash shower connected to the water supply should be available in the vicinity.

**Maintenance**

All emergency showers must be maintained and cleaned as a minimum at 6 monthly intervals. In addition they must be regularly checked (minimum of monthly or according to the manufacturer's recommendations) for **correct operation**.



All details supplied for information only - the applicable legislation should be used for each individual case



**The DENIOS hazmat manual** is an essential source of knowledge for hazardous materials storage. Its 60 pages cover the principal laws, regulations and information on the storage of hazardous materials and works safety. DENIOS customers are always kept well informed.

**Order your copy now!**

**£ 11.30**

**Order no. 188-294-J9**