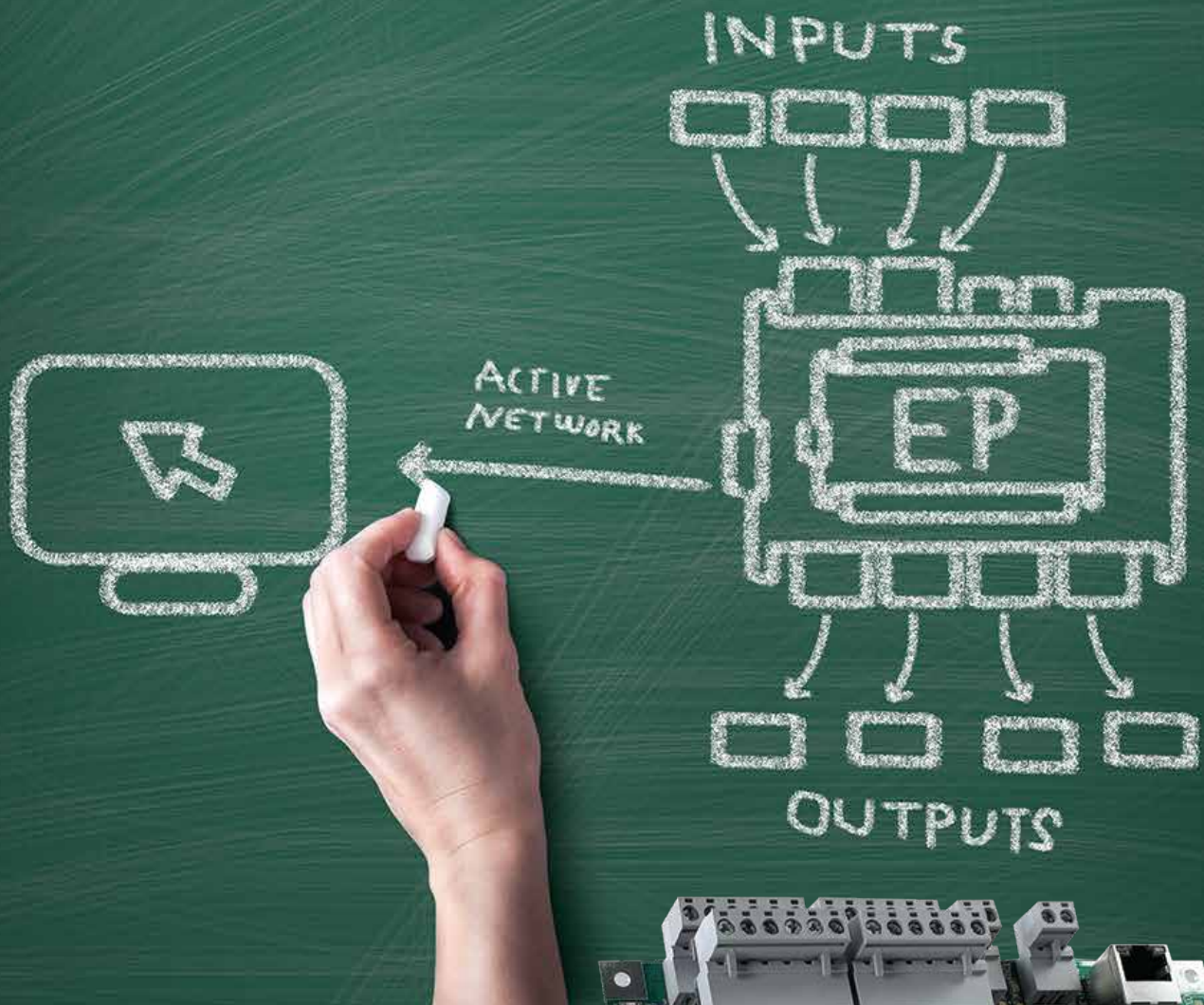


HIO

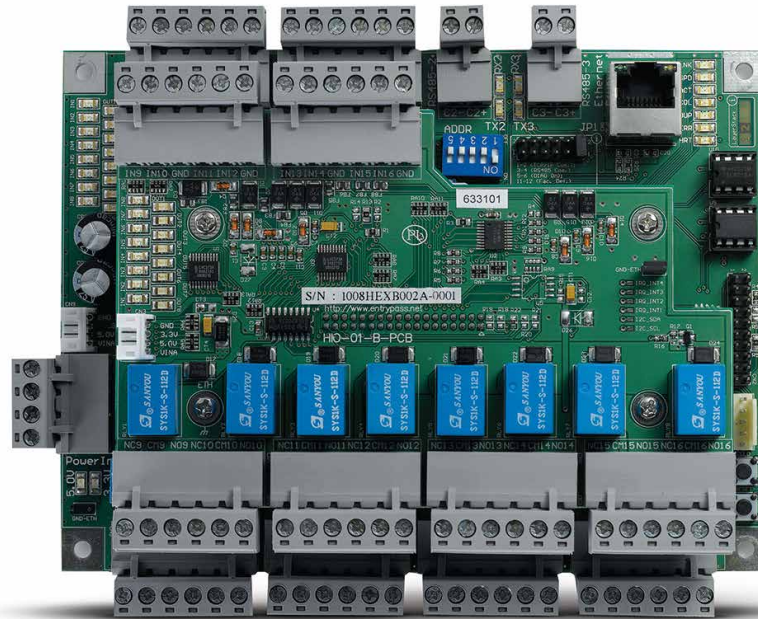
Hybrid Input / Output Control Panel



Our range of EntryPass control panels enable you to design floor-by-floor elevator access control to the card holders, letting you customize access level for individual card holder depending on your company policies. Depending on need, you have the power to control accessibility from 8 floors to 136 floors. What's more, you can choose to utilize the EntryPass hybrid control panel that comes with both serial and active network communication interface to cater to any installation you already have, making integration easier for you.



HIO Hybrid Input / Output Control Panel



ACTIVE TRANSMIT

Rather than keeping the event data in the memory awaiting for host-PC to poll, HIO actively transmits the current event data to the host server as it happens, meaning events gets delivered and can be act upon faster. (Only when the HIO is polled via TCP/IP protocol)



BUILT IN WEB SERVER

HIO is built-in with web server where network configuration such as IP address, subnet mask, server IP and etc can be easily done upon login. No more factory programming needed as the firmware can be upgraded via the on-board web server.



WIZARD INSTALLATION

Our system provides Wizard Menu guidance function for first time installation. It is absolutely hassle free installation method as it will guide user from the very first step until complete installed.

Feature Highlight

Support up to maximum of 16 inputs & 16 outputs

Support dual mode communication (Modbus Serial & Modbus TCP/IP)

Support both open and close trigger devices

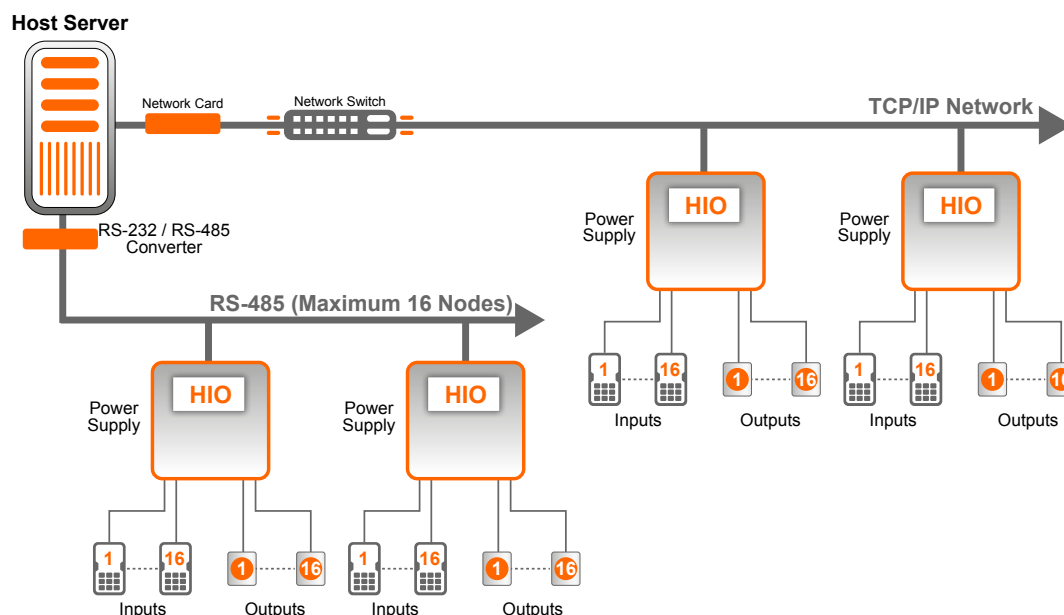
Support One-To-Many / Many-To-One / Many-To-Many configuration

Support both toggle and alarm mode monitoring function

Support various applications (Alarm / Lift)

HIO Hybrid Input / Output Control Panel

Basic System Diagram



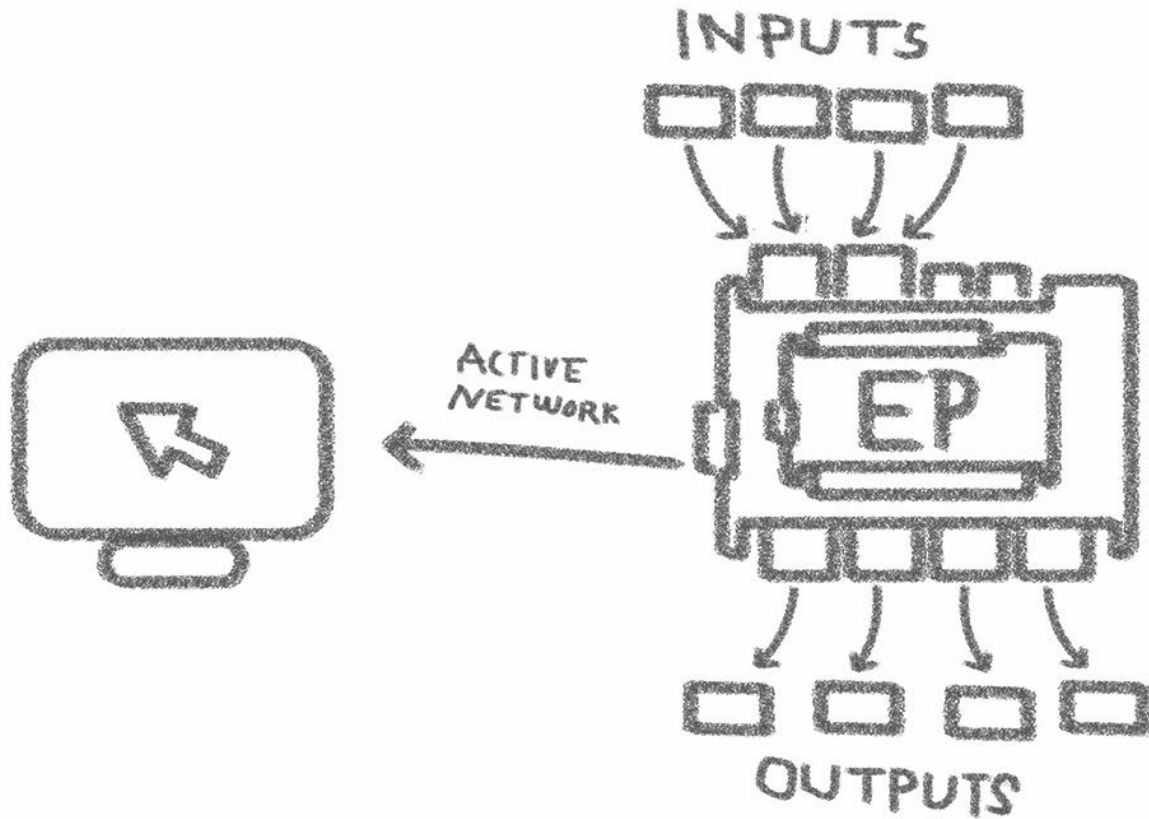
Technical Specification

Hardware	Description
Dimension	161mm (W) x 120mm (H)
MCU	32bits @ 60MHz
Memory	256K Flash Memory 32K SRAM (Buffer) 32Mbits Non-Volatile SPI Flash Memory (Storage)
Digital Input	8 - Expandable to 16 with EP.HIO.EXP
Digital Output	8 - Expandable to 16 with EP.HIO.EXP
Serial Communication Port	RS232/RS485 User Configurable
Network Communication Port	RJ-45 Self-Negotiate 10/100mbps
Communication Protocol	Modbus Serial Modbus TCP/IP
Power Protection	Resettable Fuse - 2.5A
Surge Protection (Comm/DI)	TVS - Up to 15KVA
Onboard LED Control	Power / Communication / LAN / Event
Trigger Mode	Open Trigger Short Trigger
Function Mode	Toggle Mode Alarm Mode
Timezone Control	Yes

Ordering Information

EP.HIO.PCB	EntryPass Hybrid Input Output Control Panel Only
EP.HIO.PSU	EntryPass Hybrid Input Output Control Panel with power supply unit
EP.HIO.EXP	EntryPass Hybrid Input Output Control Panel Expansion Board - Additional 8 Inputs/Outputs

HIO Hybrid Input / Output Control Panel



www.entrypass.net

Malaysia

No. 40, Jalan TPP 1/10, Taman Industri Puchong, Batu 12 Jalan Puchong, 47160 Puchong Selangor Darul Ehsan, Malaysia.
Tel : +603 8068 1929
Fax : +603 8062 6937
Email : info@entrypass.net

Singapore

No. 1, UBI View, #03-03, Focus ONE Building, Singapore 408555.
Tel : +65- 6841 7242
Fax : +65- 6841 3937
Email : info@entrypass.net

Indonesia

Jl. Raya Lodan No. 2, kompl. Ruko Lodan Centre Blok. P 10, Jakarta Utara 14430, Indonesia.
Tel : +62 21 6983 3153
Fax : +62 21 690 3005
Email : info@entrypass.net

A securityhub group company

