

*Automate and secure your entrance in style*



Fully automated motorized  
swing barrier.

Model : SWB210 series

SWB210 is designed to be slimmest of all pedestrian gate. Slim form factor save space and allow you to put more gates to digest higher traffic. Stylish design to elevate premium atmosphere of any building lobby. High speed motor is used to achieve faster pass through rate.

SWB210 offer wide and full clearance opening to allow pedestrian with luggage to pass through with comfort.



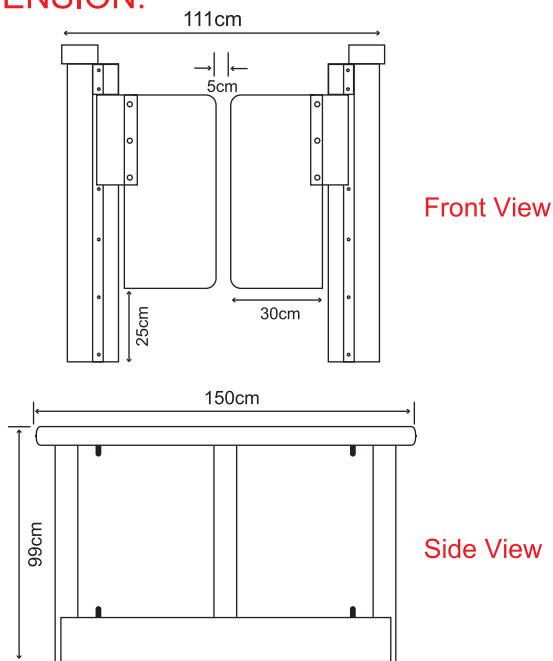
Premium  
automation



## TECHNICAL SPECIFICATION:

Description	Parameters
Temperature	-15° to 60°C
Motor type	DC Brushless Motor, 140W/24V
Door opening	Programmable 0.4 to 1.5 sec
Optimal traffic rate	20 to 25 people per min
Power supply	AC220/110V±10%, 50/60Hz
Input Connection	Dry contact pulse > 500ms
Working environment	Indoor only
Relative humidity	≤ 90%
Body material	Acrylic glass, stainless steel 1.5mm
Door width	30 cm standard lane, 60 cm handicapped lane

## DIMENSION:



## ORDERING INFO:

Model No	Description
SWB211	Single door panel
SWB212	Dual door panel

## ACCESSORIES:



Safety beam



Push Button

Authorized dealer

## Feature

### 1 MINIMUM MAINTENANCE

Uses brushless DC motor eliminate the need of changing carbon brush thus reducing maintenance work. Key internal parts is treated with anti-rust and anti-septic to ensure long term reliability.

### 2 ELEGANT DESIGN

Slim form factor, premium stainless steel and glass panel material with elegant arc design effectively help create an welcoming and elegant prestigious atmosphere at building entrance to impress your visitors.

### 3 DOUBLE SAFETY

Door will automatically reverse once safety IR detected obstacle or when a small force is detected blocking its motion. This dual detection feature is to prevent injury caused by door hitting people.

### 4 EMERGENCY RECOVERY

During power failure, door panel will be automatically unlocked for manual open. In the event of emergency such as fire alarm, door can be manually trigger to open permanently to allow fast evacuation.

### 5 ALARM BUZZER DETECTION FOR UNAUTHORIZED USAGE

Alarm buzzer function will be triggered when the user is passing thru without authorization , tail gaiting or incorrect direction

" Entrance is the first level of protection in building security. MAG offer complete gate automation system to secure your entrance.... "

