

DS-2TD2617-10/PI Thermal & Optical Bi-spectrum Network Bullet Camera

DeepinView^{series}



Hikvision DS-2TD2617-10/PI Thermal & Optical Bi-spectrum Network Bullet Camera,, equipped with built-in GPU which supports intelligent behavior analysis algorithm, can realize high-precision VCA detection and real-time alarm. It is applied to perimeter defense and fire-prevention purposes in critical infrastructures such as community, villa, construction site, factory, 4S stores, and so on. The pre-alarm system helps you discover unexpected events immediately and protects your property.

Smart Function (Thermal Imaging)

- Image processing technology: adaptive AGC, DDE, 3D DNR, NETD ≤ 40 mk (@25 °C, F# = 1.1)
- Behavior analysis function, based on deep learning algorithm: line crossing, intrusion, region entrance & exit
- Temperature alarm for fire prevention
- Fire detection algorithm
- Bi-spectrum image fusion, picture in picture preview

Thermal Imaging Module Function

- 160 × 120 (the resolution of output image is 320 × 240) resolution sensor, and high sensitivity sensor
- 3D DNR, 15 palettes of color adjustable, image detail enhancement, and contrast adjustment
- Mirror image, digital zoom ×2, ×4, ×8



Specification

Thermal Module	
Image Sensor	Vanadium Oxide Uncooled Focal Plane Arrays
Max. Resolution	160 × 120 (the resolution of output image is 320 × 240)
Pixel Interval	17μm
Response Waveband	8 μm to 14 μm
NETD (Noise Equivalent Temperature Difference)	≤ 40 mk (@25 °C, F# = 1.1)
Lens (Focal Length)	9.7 mm
IFOV	1.75 mrad
Field of View	15.96° × 12° (H × V)
Min. Focusing Distance	1.2 m
Aperture	F 1.1
Optical Module	
Max. Image Resolution	2688 × 1520
Image Sensor	1/2.7" Progressive Scan CMOS
Min. Illumination	Color: 0.0089 Lux @(F1.6, AGC ON), B/W: 0.0018 Lux @(F1.6, AGC ON)
Shutter Speed	1 s to 1/100,000 s
Lens (Focal Length)	8 mm
Field of View	39.42° × 22.14° (H × V)
WDR	120 dB
Day & Night	IR cut filter with auto switch
Image Function	
Bi-spectrum Image Fusion	Display the details of optical channel on thermal channel
Picture in Picture	Display partial image of thermal channel on the full screen of optical channel
Smart Function	
VCA (Video Content Analysis)	4 VCA rule types (line crossing, intrusion, region entrance, and region exiting), up to 8 VCA rules in total.
Temperature Measurement	3 temperature measurement rule types, 21 rules in total (10 points, 10 areas, and 1 line).
Temperature Range	-20 °C to + 150 °C (-4 °F to + 302°F)
Temperature Accuracy	± 8 °C (± 14.4 °F)
Fire Detection	Dynamic fire point detection, up to 10 fire points detectable.
Infrared	
IR Distance	Up to 40 m
IR Intensity and Angle	Automatically adjusted
Network	
Main Stream	Optical: 50 Hz: 25 fps (2688 × 1520 ,1920 × 1080 ,1280 × 720) 60 Hz: 30 fps (2688 × 1520 ,1920 × 1080 ,1280 × 720) Thermal: 25 fps (1280 × 720 ,704 × 576 ,640 × 480 ,352 × 288 ,320 × 240)

Sub-stream	Optical: 50 Hz: 25 fps (704 × 576 ,352 × 288 ,176 × 144) 60 Hz: 30 fps (704 × 480 ,352 × 240 ,176 × 120) Thermal: 25 fps(704 × 576 ,352 × 288 ,320 × 240)
Video Compression	H.265/H.264/MJPEG
Audio Compression	G.711u/G.711a/G.722.1/MP2L2/G.726/PCM
Protocols	IPv4/IPv6, HTTP, HTTPS, 802.1x, Qos, FTP, SMTP, UPnP, SNMP, DNS, DDNS, NTP, RTSP, RTCP, RTP, TCP, UDP, IGMP, ICMP, DHCP, PPPoE
Simultaneous Live View	Up to 20
User/Host Level	Up to 32 users, 3 levels: Administrator, Operator, User
Security Measures	User authentication (ID and PW), MAC address binding, HTTPS encryption, IEEE 802.1x access control, IP address filtering
interface	
Alarm Input	1-ch inputs (0-5 VDC)
Alarm Output	1-ch relay outputs, alarm response actions configurable
Alarm Action	SD recording/relay output/smart capture/FTP upload/email linkage
Audio Input	1, 3.5 mm Mic in/Line in interface. Line input: 2 to 2.4 V [p-p], output impedance: 1 KΩ ± 10%
Audio Output	Linear level, impedance: 600 Ω
Reset	1, Reset Button
Communication Interface	1, RJ45 10M/100M self-adaptive Ethernet interface.
SD Memory Card	Built-in micro SD card slot, support Micro SD/SDHC/SDXC card (up to 256 GB) Supports manual/alarm recording
Application Programming	Open-ended API, support ISAPI, HIKVISION SDK and third-party management platform ONVIF (Profile S, Profile G, Profile T)
Client	iVMS-4200, Hik-Connect
Web Browser	IE 8-11, Chrome 41-44, Firefox 30-51
General	
Menu language	32 languages English, Russian, Estonian, Bulgarian, Hungarian, Greek, German, Italian, Czech, Slovak, French, Polish, Dutch, Portuguese, Spanish, Romanian, Danish, Swedish, Norwegian, Finnish, Croatian, Slovenian, Serbian, Turkish, Korean, Traditional Chinese, Thai, Vietnamese, Japanese, Latvian, Lithuanian, Portuguese (Brazil)
Power	12 VDC± 25%, two-core terminal block PoE (802.3af, class 3)
Power Consumption	9 VDC to 15 VDC: 0.65A, max. 7.5 W PoE (802.3af, class 3): 42.5 V to 57 V, 0.14 A to 0.22 A, max. 8.0 W
Working Temperature/Humidity	Temperature: -40 °C to 65 °C (-40 °F to 149 °F) Humidity: 95% or less
Protection Level	IP66 Standard TVS 6000V lightning protection, surge protection, voltage transient protection
Dimensions	354 mm × 144.1 mm × 156.7 mm (13.94" × 5.67" × 6.17")
Weight	Approx. 1.76 kg (3.88 lb)

Detection Range Table

* The table is only for reference and the performance may vary from camera to camera.

Smart Functions Range

Different targets trigger the VCA events within different range limits.

VCA Range (Vehicles: 1.4 × 4.0 m)	VCA Range (Humans: 1.8 × 0.5 m)	Temperature Measurement (Object: 2 × 2 m)	Temperature Measurement (Object: 1 × 1 m)	Fire Detection (Object: 2 × 2 m)	Fire Detection (Object: 1 × 1 m)
210 m	70 m	235 m	118 m	588 m	294 m

Wide Range Coverage

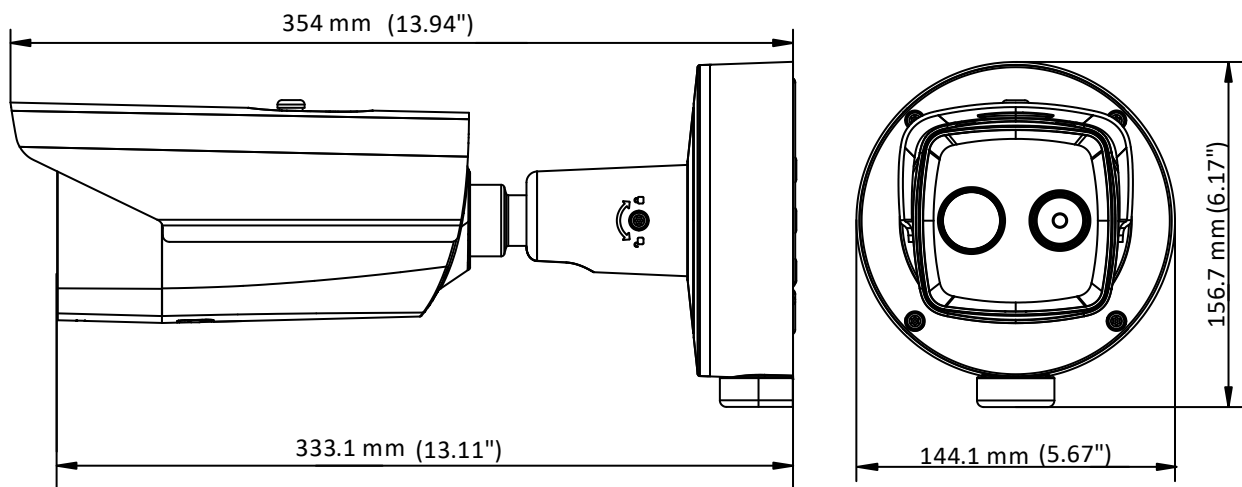
There is range limit for detecting, recognizing, and identifying human/vehicle targets.

Detection Range (Vehicles: 1.4 × 4.0 m)	Detection Range (Humans: 1.8 × 0.5 m)	Recognition Range (Vehicles: 1.4 × 4.0 m)	Recognition Range (Humans: 1.8 × 0.5 m)	Identification Range (Vehicles: 1.4 × 4.0 m)	Identification Range (Humans: 1.8 × 0.5 m)
875 m	285 m	219 m	71 m	109 m	36 m

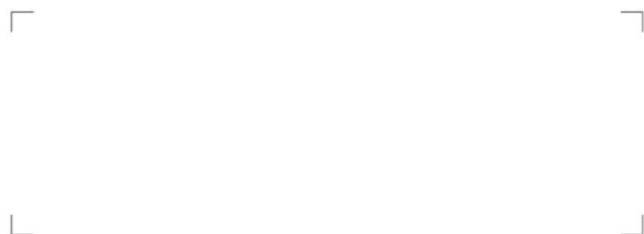
Available Model

DS-2TD2617-10/PI

Dimension



Distributed by

**HIKVISION®****Headquarters**

No.555 Qianmo Road, Binjiang District,
Hangzhou 310051, China
T +86-571-8807-5998
overseasbusiness@hikvision.com

Hikvision USA

T +1-909-895-0400
sales.usa@hikvision.com

Hikvision Australia

T +61-2-8599-4233
salesau@hikvision.com

Hikvision India

T +91-22-28469900
sales@pramahikvision.com

Hikvision Canada

T +1-866-200-6690
sales.canada@hikvision.com

Hikvision Thailand

T +662-275-9949
sales.thailand@hikvision.com

Hikvision Europe

T +31-23-5542770
sales.eu@hikvision.com

Hikvision Italy

T +39-0438-6902
info.it@hikvision.com

Hikvision Brazil

T +55 11 3318-0050
Latam.support@hikvision.com

Hikvision Turkey

T +90 (216)521 7070- 7074
sales.tr@hikvision.com

Hikvision Malaysia

T +601-7652-2413
sales.my@hikvision.com

Hikvision UK & Ireland

T +01628-902140
sales.uk@hikvision.com

Hikvision South Africa

Tel: +27 (10) 0351172
sale.africa@hikvision.com

Hikvision France

T +33(0)1-85-330-450
info.fr@hikvision.com

Hikvision Kazakhstan

T +7-727-9730667
nikia.panfilov@hikvision.ru

Hikvision Vietnam

T +84-974270888
sales.vt@hikvision.com

Hikvision UAE

T +971-4-4432090
salesme@hikvision.com

Hikvision Singapore

T +65-6684-4718
sg@hikvision.com

Hikvision Spain

T +34-91-737-16-55
info.es@hikvision.com

Hikvision Tashkent

T +99-87-1238-9438
uzb@hikvision.ru

Hikvision Hong Kong

T +852-2151-1761
info.hk@hikvision.com

Hikvision Russia

T +7-495-669-67-99
saleru@hikvision.com

Hikvision Korea

T +82-(0)31-731-8817
sales.korea@hikvision.com

Hikvision Poland

T +48-22-460-01-50
info.pl@hikvision.com

Hikvision Indonesia

T +62-21-2933759
Sales.Indonesia@hikvision.com

Hikvision Colombia

sales.colombia@hikvision.com