

DS-2TX3636-35A

Thermal Smart Linkage Tracking System



Hikvision DS-2TX3636-35A Thermal Smart Linkage Tracking Systems is formed by one fixed camera and one PTZ camera. The PTZ camera smartly tracks multiple moving targets, and the fixed camera offers the panoramic view. The linkage of both can be realized by the client software.

It provides you with smart detection of moving targets with up to 255 m effective detecting distance (to human targets), up to 2058 m effective detecting distance (to human targets), and up to 30 targets can be tracked simultaneously.

The system mainly applies to major industrial infrastructures requiring perimeter prevention, such as: airport, prison, railway, museum, enterprise, high-end villas and others.

Features

- Leading image processing technology: Adaptive AGC, DDE, 3D DNR, NETD < 40mk (@25 °C, F#=1.0)
- 384*288 resolution, high sensitivity sensor, support contrast adjustment
- 3D DNR, 15 palettes of color adjustable, image detail enhancement
- Speed Dome: Support 36x optical zoom with over 200m IR distance

Smart Function

- Smart analysis and linkage, no VCA Server configuration requirement
- Automatic master-slave Tracking: Stable and continuous tracking
- Manual master-slave tracking: Select any region of fixed camera in the client software, the speed dome automatically adjusts PTZ to centralize the selected region
- Master-slave Linkage Rules: Intrusion Detection, Line Crossing Detection
- 30 Targets Simultaneously Trackable. Up to 255 m effective detecting distance (to human targets)
- Multi-tracking targets and auto target switch, with less than 1s response time
- Tracking duration, sensitivity and target type can be configured



Specifications

Model	DS-2TX3636-35A
System Functions	
Click Linkage	Support
Tracking Mode	Manual/Auto
Multi-targets Tracking	Up to 30 Targets Simultaneously; Up to 255 m effective detecting distance (to human targets), up to 2058 m effective detecting distance (to vehicle targets)
Switch Time	Less than 1s
Master-slave Linkage Rules	Support Intrusion Detection, Line Crossing Detection,
Tracking Time Configuration	Support
Sensitivity Configuration	Support
Fixed Camera	
Image sensor	Vanadium Oxide Uncooled Focal Plane Arrays
Max. resolution	384 × 288
Response waveband	8μm to 14μm
NETD	< 40mk (@25 °C, F#=1.0)
Lens (focal length)	35 mm
IFOV (MRAD)	0.49 mrad
Field of View	10.7 ° × 8 °
Min. focusing distance	40 m
F number	1.0
Main stream	50fps (384×288)
Sub stream	50fps (384×288)
Third stream	50fps (384×288)
Video compression	H.264 (Baseline/Main/High Profile) /MJPEG/H.265, H.264+, H.265+
Audio compression	G.711u/G.711a/G.722.1/MP2L2/G.726/PCM
Memory Card	Built-in Micro SD card slot, support Micro SD/SDHC/SDXC card (up to 64G), support manual/alarm recording
Alarm input	2-ch inputs (0-5vDC)
Alarm output	2-ch relay outputs, alarm response actions configurable
Audio input	1 3.5mm Mic in/Line in interface. Line input: 2-2.4V[p-p], output impedance: 1KΩ±10%
Audio output	Line level, impedance: 600Ω
Analog video output	1.0V[p-p] / 75Ω, PAL(or NTSC), BNC
Speed Dome	
Image Sensor	1/1.9" Progressive Scan CMOS
Min. Illumination	50 IRE; Color: 0.002Lux @ (F1.5, AGC ON), B/W: 0.0002Lux @ (F1.5, AGC ON), 0 Lux with IR
Max. Image Resolution	1920 × 1080
Focal Length	5.7 to 205.2, 36×
Digital Zoom	16 ×
Zoom Speed	Approx. 7.4s (Optical, Wide-Tele)
Angle of View	58.7 ° to 2.0 ° (Wide-Tele)
Min. Working Distance	10mm to 1500mm (Wide-Tele)
Aperture Range	F 1.5 to F 4.5
Focus Mode	Auto/Semiautomatic/Manual
WDR	120dB
Shutter Time	50 Hz: 1s to 30,000s; 60Hz: 1s to 30,000s
AGC	Auto/Manual
White Balance	Auto/Manual/ATW (Auto-tracking White Balance)/Indoor/Outdoor/Daylight Lamp/Sodium Lamp

Day & Night	IR cut filter
Privacy Mask	24 programmable privacy masks
Optical Defog	Support
Enhancement	3D DNR, EIS, HLC/BLC, SVC
Pan Speed	Manual Speed: 0.1 %s to 160 %s Preset: 240 %s
Tilt Speed	Manual Speed: 0.1 %s to 120 %s Preset: 200 %s
Main Stream	50Hz: 25fps (1920 × 1080, 1280 × 960, 1280 × 720) 60Hz: 30fps (1920 × 1080, 1280 × 960, 1280 × 720)
Sub Stream	50Hz: 25fps (704 × 576, 352 × 288, 176 × 144) 60Hz: 30fps (704 × 480, 352 × 240, 176 × 120)
Third Stream	50Hz: 25fps (1920 × 1080, 1280 × 960, 1280 × 720, 704 × 576, 352 × 288, 176 × 144) 60Hz: 30fps (1920 × 1080, 1280 × 960, 1280 × 720, 704 × 480, 352 × 240, 176 × 120)
Image Compression	H.264 (Baseline/Main/High Profile)/MJPEG/MPEG4
Audio Compression	G.711alaw/G.711ulaw/G.722/G.726/MP2L2/ PCM
IR Distance	Up to 200m
Alarm Linkage	Preset, Patrol, Pattern, Micro SD/SDHC Card Recording, Aux Output, Notification on Client, FTP Uploading, Sending Email, Triggering Channel
Alarm Input	7 –ch
Alarm Output	2 –ch; Support Alarm Linkage
Audio Input	1 LINE_IN Input and MIC Input; Peak: 2 to 2.4V [p-p]; Impedance: 1KΩ±10%
Audio Output	1; Linear Level; Impedance: 600Ω
Ethernet	10 Base-T/100 Base-TX. RJ45 Connector
On-board Storage	Built-in Micro SD/SDHC/SDXC Card Slot, Up to 128GB, Support Manual/Alarm Recording
Analog Video Output	1.0V [p-p]/75Ω, PAL/NTSC/BNC
RS485	Half-duplex; HIKVISION, PELCO-P, PELCO-D Self-adaptive
General	
Movement Range	Network Camera (Universal Joint Module): Pan: 90 °, Tilt: -45 ° to 45 ° Speed Dome: Pan: 360 °, Tilt: -20 ° to 90 °, Auto Reverse
Menu	English
Power	24 V AC/5A, Max. consumption: 80W (with IR and heater on) IR Light consumption: Max. 24 W, and Heater consumption: Max. 15 W
Working Temperature/Humidity	-40 °C to 65 °C (-40 °F to 149 °F); Humidity: 90% or Less
Protection Level	IP66, TVS 6000V Lightning Protection, Surging Protection and Voltage Transient Protection
Mount	Wall Mount
Dimensions	Φ266.6 mm × 573.5 mm × 698.5 mm (Φ10.5" × 22.6" × 27.5")
Weight	10.89 kg (Approx. 24.0 lbs)

Wide Range Coverage for Different Specifications

Note: The table below is only for reference, the performance varies from model to model, and the specific data is based on 17 μm pixel space-between.

Lens (focal length)	10mm	15mm	25mm	35mm	50mm	75mm
Detection range (Vehicles)	902m	1353m	2255m	3157m	4510m	6765m
Detection range (Humans)	294m	441m	735m	1029m	1471m	2206m
Recognition range (Vehicles)	225m	338m	564m	789m	1127m	1691m
Recognition range (Humans)	74m	110m	184m	257m	368m	551m
Identification range (Vehicles)	113m	169m	282m	395m	564m	846m
Identification range (Humans)	37m	55m	92m	129m	184m	276m

Smart functions Range Table

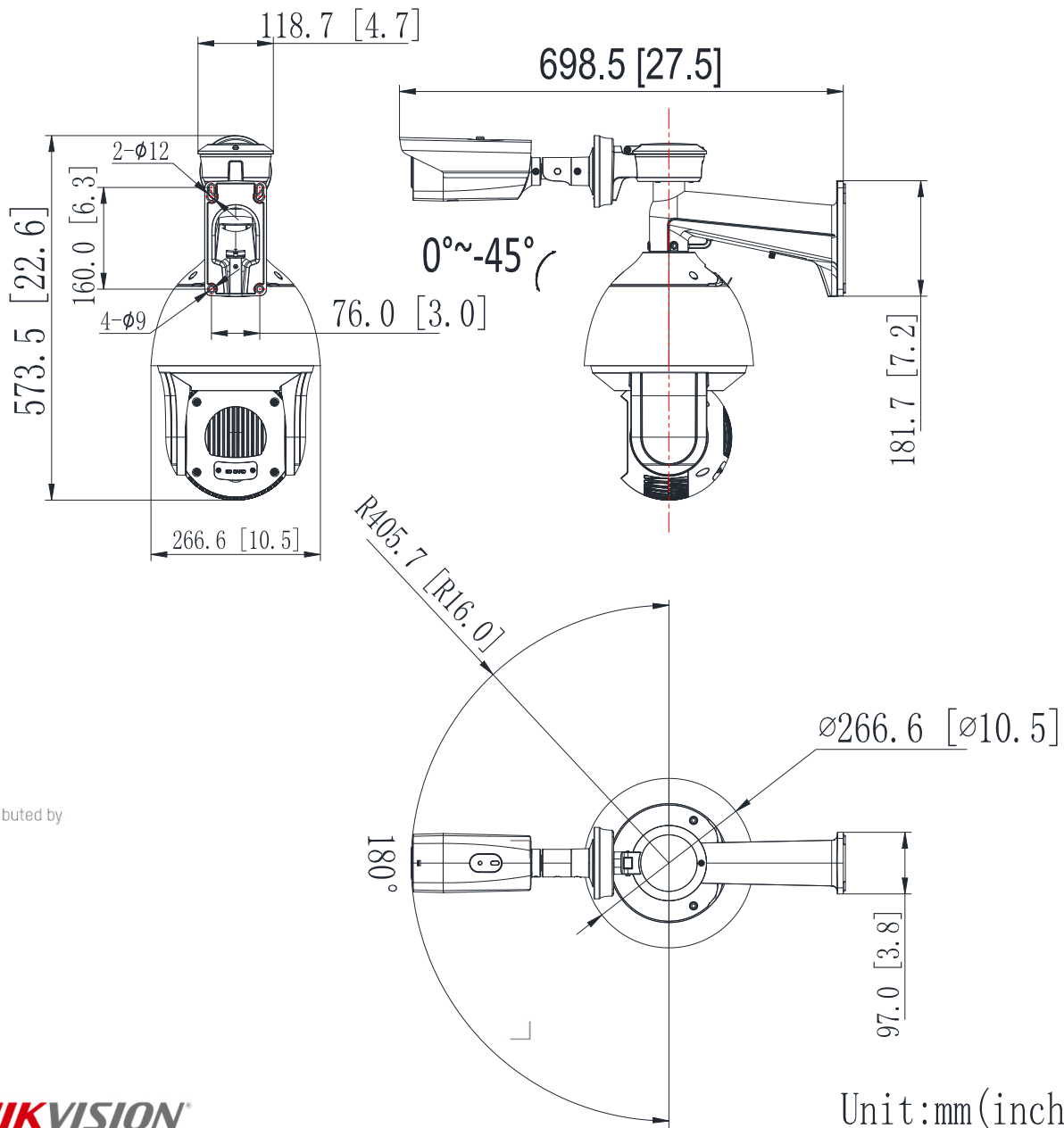
Note: The table below is only for reference, the performance varies from model to model, and the specific data is based on 17 μm pixel space-between.

Lens (focal length)	7mm	10mm	15mm	25mm	35mm	50mm	75mm
VCA range (humans)	70m	100m	150m	250m	350m	500m	750m
VCA range (Vehicles)	210m	300m	450m	750m	1050m	1500m	2250m
Temperature measurement (Object:2×2 m)	164m	234m	351m	585m	819m	1170m	1755m
Temperature measurement ((Object:1×1 m)	83m	118m	177m	295m	413m	590m	885m
Fire Detection (Object:2×2 m)	412m	588m	882m	1470m	2058m	2940m	4410m
Fire Detection (Object:1×1 m)	206m	294m	441m	735m	1029m	1470m	2205m

Order Models

DS-2TX3636-35A

Dimensions



Distributed by



Headquarters
 No.555 Qianmo Road, Binjiang District,
 Hangzhou 310051, China
 T +86-571-8807-5998
 overseasbusiness@hikvision.com

Hikvision USA
 T +1-909-895-0400
 sales.usa@hikvision.com

Hikvision Italy
 T +39-0438-6902
 info.it@hikvision.com

Hikvision Singapore
 T +65-6684-4718
 sg@hikvision.com

Hikvision Africa
 T +27 (10) 0351172
 sale.africa@hikvision.com

Hikvision Europe
 T +31-23-55-42-770
 info.eu@hikvision.com

Hikvision France
 T +33(0)1-85-330-450
 info.fr@hikvision.com

Hikvision Oceania
 T +61-2-8599-4233
 salesau@hikvision.com

Hikvision Hong Kong
 T +852-2151-1761

Hikvision Middle East
 T +971-4-8816086
 salesme@hikvision.com

Hikvision Spain
 T +34-91-737-16-55
 info.es@hikvision.com

Hikvision Canada
 T +1-909-895-0400
 sales.usa@hikvision.com

Hikvision Russia
 T +7-495-669-67-99
 saleru@hikvision.com

Hikvision Poland
 T +48-22-460-01-50
 poland@hikvision.com

Hikvision Korea
 T +82-31-731-8841
 sales.korea@hikvision.com

Hikvision India
 T +91-22-28469900
 sales@pramahikvision.com

Hikvision UK
 T +01628-902140
 support.uk@hikvision.com

Hikvision Brazil
 T +55 11 3318-0050
 Latam.support@hikvision.com

Unit:mm (inch)

0504021080831