



HMT-SERIES MODULAR TORQUE WRENCHES

One Drive, Two Tools
ATEX-Certified



ENERPAC 

▼ HMT-Drive Units with interchangeable HLP-Low Profile Cassette and HSQ-Square Drive Cassette



Modular, Durable, Fast and Efficient Torque for Low Profile and Square Drive Applications

The HMT-Series is a range of fast, durable and efficient modular hydraulic torque wrenches, enabling you to tackle almost any bolting application. Interchange cassettes with ease, switching the HLP low profile hexagon cassette with the HSQ square drive whenever your application demands.

As an added benefit, tools and cassettes are interchangeable with many other well-known brands, allowing you the freedom to use the tools at your disposal whilst reducing the cost of upgrading your legacy torque wrench inventory to high quality Enerpac equipment.

The tool itself has been carefully designed and manufactured, utilising superior alloys and surface treatments to make it lightweight, up to 25% faster and more than twice as durable as other tools in the same class.

Safety and Performance

- Supplied with an ergonomic tool safety handle as standard
- The HMT Modular Torque/Tool is also supplied with a link pin retainer as standard.

Versatility

- Interchangeable with other manufacturers
- HMT is able to solve all of your bolting challenges quickly and safely, with one or more attachment options, making it suitable for any application

Simplicity

- The HMT is part of a modular system which is made up of a single power head and one attachment; the HMT Drive Unit and HLP Hexagon cassette or HSQ Square Drive Cassette

Accuracy

- Accuracy of $\pm 3\%$



Torque Wrench Options and Accessories

Optional accessories are available for maximum versatility. Please contact your Enerpac representative to help you select the optimum solution for your application.

Page: 11



Back-Up Spanner

To be used to stop the back nut from turning during make up or break out. Two hexagon sizes in one tool.

Page: 9



Torque Pumps

Visit enerpac.com for system matched air and electric torque pumps that are ideal for use with hydraulic torque wrenches.

Page: 10



Torque Wrench Hoses

Use Enerpac THQ-700 Series hoses with HMT-Series torque wrenches to ensure the integrity of your hydraulic system.

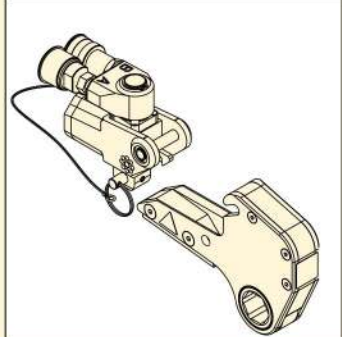
2 m long, 2 hoses	THQ-702T
6 m long, 2 hoses	THQ-706T
12 m long, 2 hoses	THQ-712T



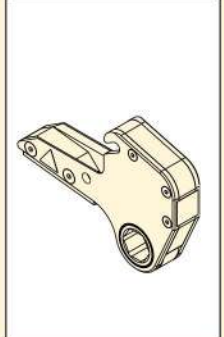
Drive Units for Hexagon & Square Drive Cassettes



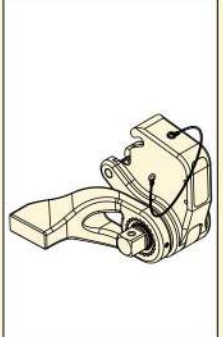
One Drive, Two Tools
 One HMT-Hydraulic Torque Wrench fits HLP-Low Profile or HSQ Square Drive cassette.



HMT...HLP



HLP



HSQ

HMT Series



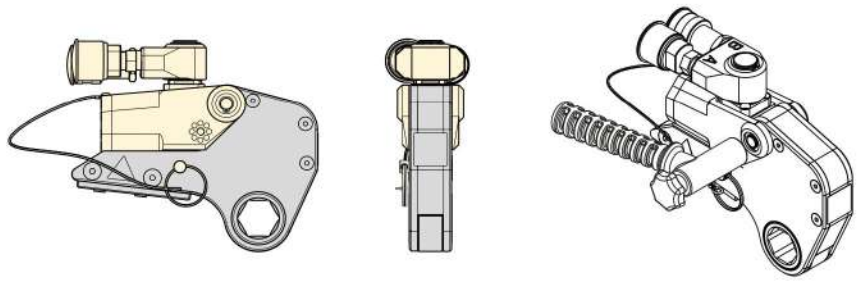
Maximum Torque at 10.000 psi:
1541 - 7562 Ft.lbs

Maximum Torque at 690 bar:
2089 - 10.252 Nm

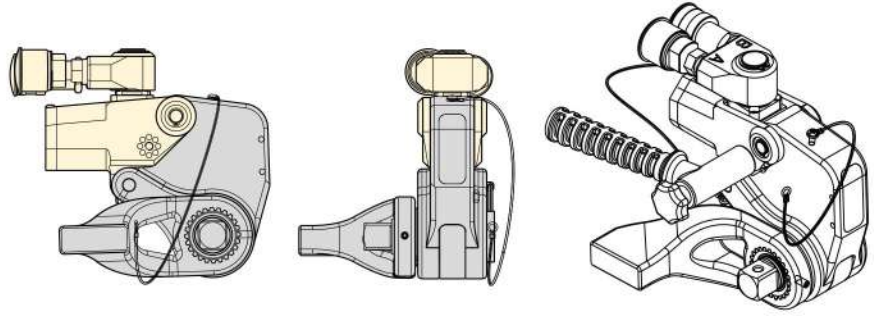
Hexagon Range:
1 1/16 - 3 15/16" / 26 - 100 mm

Maximum Operating Pressure:
690 bar / 10.000 psi

▼ HMT-Torque Wrench Drive Unit shown with HLP-Low Profile Hexagon Cassette



▼ HMT-Torque Wrench Drive Unit shown with HSQ-Square Drive Cassette



Select the Right Torque
 Choose your Enerpac Torque Wrench using the untightening rule of thumb: Loosening torque equals about 250% of tightening torque.



HLP Low Profile Cassettes
 For the metric and imperial Low Profile hexagon cassettes see:

Page: 4-8

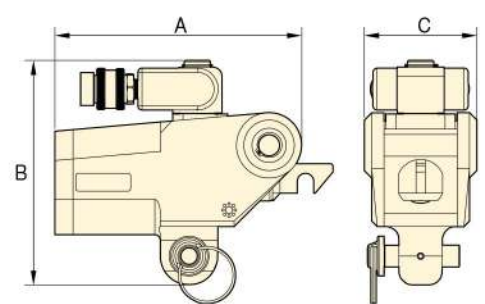


HSQ Square Drive Cassettes
 For the metric and imperial Square Drive Cassettes see:

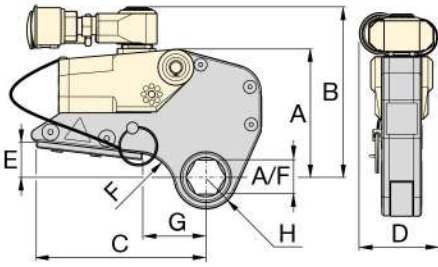
Page: 6-7

▼ SELECTION CHART

Maximum Torque Output		Drive Unit Model Number	Dimensions (inch)				Dimensions (mm)				Weight (kg)
(Ft.lbs)	(Nm)		A	B	C	(lbs)	A	B	C		
1541	2089	HMT1500	4.3	4.1	2.0	2.20	108	104	49	1,0	
3543	4804	HMT3500	5.7	5.2	2.6	3.97	146	132	66	1,8	
7562	10.252	HMT7500	7.1	6.4	3.2	7.05	180	163	82	3,2	



Hexagon Cassettes for HMT Drive Units



Hexagon Range:
1¹/₁₆ - 3¹⁵/₁₆ inch

Hexagon Range:
26 - 100 mm

Maximum Operating Pressure:
690 bar / 10.000 psi

HLP Series

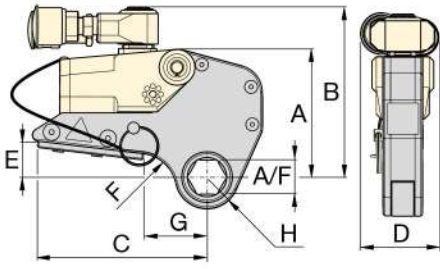


▼ SELECTION CHART

Drive Unit Model Number	Hexagon Size A/F		Hexagon Cassette Model Number	Maximum Torque		Dimensions (inch)												Dimensions (lbs)	Dimensions (mm)												Dimensions (kg)
	(inch)	(mm)		(Ft.lbs)	(Nm)	A	B	C	D	E	F	G	H	A	B	C	D		E	F	G	H									
HMT1500	1 ¹ / ₁₆	26	HLP1101	1541	2089	4.48	5.32	5.49	1.95	1.13	1.18	2.14	1.00	3.53	114	135	140	49	29	30	54	25	1,6								
	1 ¹ / ₈	-	HLP1102	1541	2089	4.48	5.32	5.49	1.95	1.13	1.18	2.14	1.00	3.53	114	135	140	49	29	30	54	25	1,6								
	1 ³ / ₁₆	30	HLP1103	1541	2089	4.48	5.32	5.49	1.95	1.13	1.18	2.14	1.00	3.53	114	135	140	49	29	30	54	25	1,6								
	1 ¹ / ₄	32	HLP1104	1541	2089	4.48	5.32	5.49	1.95	1.13	0.95	2.04	1.08	3.53	114	135	140	49	29	24	52	27	1,6								
	1 ⁵ / ₁₆	33	HLP1105	1541	2089	4.48	5.32	5.49	1.95	1.13	0.95	2.04	1.08	3.53	114	135	140	49	29	24	52	27	1,6								
	1 ³ / ₈	35	HLP1106	1541	2089	4.48	5.32	5.49	1.95	1.13	0.55	1.85	1.19	3.53	114	135	140	49	29	14	47	30	1,6								
	1 ⁷ / ₁₆	36	HLP1107	1541	2089	4.48	5.32	5.49	1.95	1.13	0.55	1.85	1.19	3.53	114	135	140	49	29	14	47	30	1,6								
	1 ¹ / ₂	38	HLP1108	1541	2089	4.48	5.32	5.49	1.95	1.13	0.55	1.97	1.30	3.53	114	135	140	49	29	14	50	33	1,6								
	1 ⁹ / ₁₆	-	HLP1109	1541	2089	4.48	5.32	5.49	1.95	1.13	0.55	1.97	1.30	3.53	114	135	140	49	29	14	50	33	1,6								
	1 ⁵ / ₈	41	HLP1110	1541	2089	4.48	5.32	5.49	1.95	1.13	0.55	1.97	1.30	3.53	114	135	140	49	29	14	50	33	1,6								
	1 ¹¹ / ₁₆	-	HLP1111	1541	2089	4.48	5.32	5.49	1.95	1.13	0.55	1.97	1.30	3.53	114	135	140	49	29	14	50	33	1,6								
	1 ³ / ₄	-	HLP1112	1541	2089	4.48	5.32	5.49	1.95	1.13	0.55	2.06	1.38	3.53	114	135	140	49	29	14	52	35	1,6								
	1 ¹³ / ₁₆	46	HLP1113	1541	2089	4.48	5.32	5.49	1.95	1.13	0.55	2.06	1.38	3.53	114	135	140	49	29	14	52	35	1,6								
	1 ⁷ / ₈	-	HLP1114	1541	2089	4.48	5.32	5.49	1.95	1.13	0.55	2.21	1.52	3.53	114	135	140	49	29	14	56	39	1,6								
	1 ¹⁵ / ₁₆	-	HLP1115	1541	2089	4.48	5.32	5.49	1.95	1.13	0.55	2.21	1.52	3.53	114	135	140	49	29	14	56	39	1,6								
	2	50	HLP1200	1541	2089	4.48	5.32	5.49	1.95	1.13	0.55	2.21	1.52	3.75	114	135	140	49	29	14	56	39	1,7								
	2 ¹ / ₁₆	-	HLP1201	1541	2089	4.48	5.32	5.49	1.95	1.13	0.55	2.21	1.52	3.75	114	135	140	49	29	14	56	39	1,7								
	2 ¹ / ₈	-	HLP1202	1541	2089	4.48	5.32	5.49	1.95	1.13	0.55	2.34	1.65	3.75	114	135	140	49	29	14	59	42	1,7								
	2 ³ / ₁₆	55	HLP1203	1541	2089	4.48	5.32	5.49	1.95	1.13	0.55	2.34	1.65	3.75	114	135	140	49	29	14	59	42	1,7								
	2 ¹ / ₄	-	HLP1204	1541	2089	4.48	5.32	5.49	1.95	1.13	0.55	2.34	1.65	3.75	114	135	140	49	29	14	59	42	1,7								
2 ⁵ / ₁₆	-	HLP1205	1541	2089	4.48	5.32	5.49	1.95	1.13	0.55	2.34	1.65	3.75	114	135	140	49	29	14	59	42	1,7									
2 ³ / ₈	60	HLP1206	1541	2089	4.48	5.32	5.49	1.95	1.13	0.55	2.41	1.71	3.75	114	135	140	49	29	14	61	44	1,7									
2 ⁷ / ₁₆	62	HLP1207	1541	2089	4.48	5.32	5.49	1.95	1.13	0.55	2.41	1.71	3.75	114	135	140	49	29	14	61	44	1,7									
HMT3500	1 ³ / ₈	35	HLP3106	3543	4804	6.02	6.57	7.48	2.58	1.59	1.89	3.09	1.30	8.60	153	167	190	66	41	48	79	33	3,9								
	1 ⁷ / ₁₆	36	HLP3107	3543	4804	6.02	6.57	7.48	2.58	1.59	1.89	3.09	1.30	8.60	153	167	190	66	41	48	79	33	3,9								
	1 ¹ / ₂	38	HLP3108	3543	4804	6.02	6.57	7.48	2.58	1.59	1.81	3.16	1.42	8.60	153	167	190	66	41	46	80	36	3,9								
	1 ⁹ / ₁₆	-	HLP3109	3543	4804	6.02	6.57	7.48	2.58	1.59	1.81	3.16	1.42	8.60	153	167	190	66	41	46	80	36	3,9								
	1 ⁵ / ₈	41	HLP3110	3543	4804	6.02	6.57	7.48	2.58	1.59	1.81	3.16	1.42	8.60	153	167	190	66	41	46	80	36	3,9								
	1 ¹¹ / ₁₆	-	HLP3111	3543	4804	6.02	6.57	7.48	2.58	1.59	1.81	3.16	1.42	8.60	153	167	190	66	41	46	80	36	3,9								
	1 ³ / ₄	-	HLP3112	3543	4804	6.02	6.57	7.48	2.58	1.59	1.58	3.08	1.52	8.60	153	167	190	66	41	40	78	39	3,9								
	1 ¹³ / ₁₆	46	HLP3113	3543	4804	6.02	6.57	7.48	2.58	1.59	1.58	3.08	1.52	8.60	153	167	190	66	41	40	78	39	3,9								
	1 ⁷ / ₈	-	HLP3114	3543	4804	6.02	6.57	7.48	2.58	1.59	1.42	3.05	1.63	8.60	153	167	190	66	41	36	77	41	3,9								
	1 ¹⁵ / ₁₆	-	HLP3115	3543	4804	6.02	6.57	7.48	2.58	1.59	1.42	3.05	1.63	8.60	153	167	190	66	41	36	77	41	3,9								
	2	50	HLP3200	3543	4804	6.02	6.57	7.48	2.58	1.59	1.42	3.05	1.63	8.60	153	167	190	66	41	36	77	41	3,9								
	2 ¹ / ₁₆	-	HLP3201	3543	4804	6.02	6.57	7.48	2.58	1.59	1.42	3.05	1.63	8.82	153	167	190	66	41	36	77	41	4,0								
	2 ¹ / ₈	-	HLP3202	3543	4804	6.02	6.57	7.48	2.58	1.59	1.18	2.97	1.74	8.82	153	167	190	66	41	30	75	44	4,0								
	2 ³ / ₁₆	55	HLP3203	3543	4804	6.02	6.57	7.48	2.58	1.59	1.18	2.97	1.74	8.82	153	167	190	66	41	30	75	44	4,0								
	2 ¹ / ₄	-	HLP3204	3543	4804	6.02	6.57	7.48	2.58	1.59	1.18	2.97	1.74	8.82	153	167	190	66	41	30	75	44	4,0								
	2 ⁵ / ₁₆	-	HLP3205	3543	4804	6.02	6.57	7.48	2.58	1.59	0.63	2.68	1.85	9.04	153	167	190	66	41	16	68	47	4,1								
	2 ³ / ₈	60	HLP3206	3543	4804	6.02	6.57	7.48	2.58	1.59	0.63	2.68	1.85	9.04	153	167	190	66	41	16	68	47	4,1								



Hexagon Cassettes for HMT Drive Units



Hexagon Range:
1¹/₁₆ - 3¹⁵/₁₆ inch

Hexagon Range:
26 - 100 mm

Maximum Operating Pressure:
690 bar / 10.000 psi

**HLP
Series**



▼ SELECTION CHART

Drive Unit Model Number	Hexagon Size A/F		Hexagon Cassette Model Number	Maximum Torque		Dimensions (inch)									Dimensions (mm)								
	(inch)	(mm)		(Ft.lbs)	(Nm)	A	B	C	D	E	F	G	H		(lbs)	A	B	C	D	E	F	G	
HMT3500	2 ⁷ / ₁₆	62	HLP3207	3543	4804	6.02	6.57	7.48	2.58	1.59	0.63	2.68	1.85	9.04	153	167	190	66	41	16	68	47	4,1
	2 ¹ / ₂	63	HLP3208	3543	4804	6.02	6.57	7.48	2.58	1.59	0.63	2.74	1.96	9.04	153	167	190	66	41	16	70	50	4,1
	2 ⁹ / ₁₆	65	HLP3209	3543	4804	6.02	6.57	7.48	2.58	1.59	0.63	2.74	1.96	9.04	153	167	190	66	41	16	70	50	4,1
	2 ⁵ / ₈	-	HLP3210	3543	4804	6.02	6.57	7.48	2.58	1.59	0.63	2.84	2.07	9.04	153	167	190	66	41	16	72	53	4,1
	2 ¹¹ / ₁₆	-	HLP3211	3543	4804	6.02	6.57	7.48	2.58	1.59	0.63	2.84	2.07	9.04	153	167	190	66	41	16	72	53	4,1
	2 ³ / ₄	70	HLP3212	3543	4804	6.02	6.57	7.48	2.58	1.59	0.63	2.84	2.07	9.04	153	167	190	66	41	16	72	53	4,1
	2 ¹³ / ₁₆	-	HLP3213	3543	4804	6.02	6.57	7.48	2.58	1.59	0.63	2.84	2.07	9.04	153	167	190	66	41	16	72	53	4,1
	2 ⁷ / ₈	-	HLP3214	3543	4804	6.02	6.57	7.48	2.58	1.59	0.63	2.84	2.07	9.04	153	167	190	66	41	16	72	53	4,1
	2 ¹⁵ / ₁₆	75	HLP3215	3543	4804	6.02	6.57	7.48	2.58	1.59	0.63	2.92	2.19	9.04	153	167	190	66	41	16	74	56	4,1
	3	-	HLP3300	3543	4804	6.02	6.57	7.48	2.58	1.59	0.63	2.92	2.19	9.04	153	167	190	66	41	16	74	56	4,1
3 ¹ / ₁₆	-	HLP3301	3543	4804	6.02	6.57	7.48	2.58	1.59	0.63	2.92	2.19	9.04	153	167	190	66	41	16	74	56	4,1	
3 ¹ / ₈	80	HLP3302	3543	4804	6.02	6.57	7.48	2.58	1.59	0.63	2.92	2.19	9.04	153	167	190	66	41	16	74	56	4,1	
HMT7500	2 ³ / ₁₆	55	HLP7203	7562	10252	7.60	8.01	9.26	3.23	1.81	1.65	3.56	1.91	15.65	193	203	235	82	46	42	90	49	7,1
	2 ¹ / ₄	-	HLP7204	7562	10252	7.60	8.01	9.26	3.23	1.81	1.65	3.56	1.91	15.65	193	203	235	82	46	42	90	49	7,1
	2 ⁵ / ₁₆	-	HLP7205	7562	10252	7.60	8.01	9.26	3.23	1.81	1.65	3.56	1.91	15.65	193	203	235	82	46	42	90	49	7,1
	2 ³ / ₈	60	HLP7206	7562	10252	7.60	8.01	9.26	3.23	1.81	1.18	3.26	1.99	15.65	193	203	235	82	46	30	83	51	7,1
	2 ⁷ / ₁₆	62	HLP7207	7562	10252	7.60	8.01	9.26	3.23	1.81	1.18	3.26	1.99	15.65	193	203	235	82	46	30	83	51	7,1
	2 ¹ / ₂	63	HLP7208	7562	10252	7.60	8.01	9.26	3.23	1.81	1.18	3.26	1.99	15.65	193	203	235	82	46	30	83	51	7,1
	2 ⁹ / ₁₆	65	HLP7209	7562	10252	7.60	8.01	9.26	3.23	1.81	0.87	3.09	2.07	15.65	193	203	235	82	46	22	79	53	7,1
	2 ⁵ / ₈	-	HLP7210	7562	10252	7.60	8.01	9.26	3.23	1.81	0.79	3.15	2.19	15.65	193	203	235	82	46	20	80	56	7,1
	2 ¹¹ / ₁₆	-	HLP7211	7562	10252	7.60	8.01	9.26	3.23	1.81	0.79	3.15	2.19	15.65	193	203	235	82	46	20	80	56	7,1
	2 ³ / ₄	70	HLP7212	7562	10252	7.60	8.01	9.26	3.23	1.81	0.79	3.15	2.19	17.42	193	203	235	82	46	20	80	56	7,9
	2 ¹³ / ₁₆	-	HLP7213	7562	10252	7.60	8.01	9.26	3.23	1.81	0.79	3.15	2.19	17.42	193	203	235	82	46	20	80	56	7,9
	2 ⁷ / ₈	-	HLP7214	7562	10252	7.60	8.01	9.26	3.23	1.81	0.79	3.15	2.19	17.42	193	203	235	82	46	20	80	56	7,9
	2 ¹⁵ / ₁₆	75	HLP7215	7562	10252	7.60	8.01	9.26	3.23	1.81	0.67	3.15	2.26	17.42	193	203	235	82	46	17	80	58	7,9
	3	-	HLP7300	7562	10252	7.60	8.01	9.26	3.23	1.81	0.67	3.27	2.38	17.42	193	203	235	82	46	17	83	61	7,9
	3 ¹ / ₁₆	-	HLP7301	7562	10252	7.60	8.01	9.26	3.23	1.81	0.67	3.27	2.38	17.42	193	203	235	82	46	17	83	61	7,9
	3 ¹ / ₈	80	HLP7302	7562	10252	7.60	8.01	9.26	3.23	1.81	0.67	3.27	2.38	17.42	193	203	235	82	46	17	83	61	7,9
	3 ¹ / ₄	-	HLP7304	7562	10252	7.60	8.01	9.26	3.23	1.81	0.67	3.42	2.52	17.42	193	203	235	82	46	17	87	64	7,9
	-	85	HLP7085M	7562	10252	7.60	8.01	9.26	3.23	1.81	0.67	3.42	2.52	17.42	193	203	235	82	46	17	87	64	7,9
	3 ³ / ₈	-	HLP7306	7562	10252	7.60	8.01	9.26	3.23	1.81	0.67	3.42	2.52	17.42	193	203	235	82	46	17	87	64	7,9
	3 ⁷ / ₁₆	-	HLP7307	7562	10252	7.60	8.01	9.26	3.23	1.81	0.67	3.42	2.52	17.64	193	203	235	82	46	17	87	64	8,0
	3 ¹ / ₂	-	HLP7308	7562	10252	7.60	8.01	9.26	3.23	1.81	0.67	3.54	2.64	17.64	193	203	235	82	46	17	90	67	8,0
-	90	HLP7090M	7562	10252	7.60	8.01	9.26	3.23	1.81	0.67	3.54	2.64	17.64	193	203	235	82	46	17	90	67	8,0	
3 ⁹ / ₁₆	-	HLP7309	7562	10252	7.60	8.01	9.26	3.23	1.81	0.67	3.69	2.78	17.64	193	203	235	82	46	17	94	71	8,0	
3 ³ / ₄	95	HLP7312	7562	10252	7.60	8.01	9.26	3.23	1.81	0.67	3.69	2.89	18.08	193	203	235	82	46	17	94	71	8,2	
3 ⁷ / ₈	-	HLP7314	7562	10252	7.60	8.01	9.26	3.23	1.81	0.67	3.79	2.89	18.08	193	203	235	82	46	17	96	74	8,2	
3 ¹⁵ / ₁₆	100	HLP7315	7562	10252	7.60	8.01	9.26	3.23	1.81	0.67	3.79	2.89	18.08	193	203	235	82	46	17	96	74	8,2	

▼ HMT drive unit with HSQ square drive cassette



Modular, Durable, Fast and Efficient Torque for Low Profile and Square Drive Applications

Safety and Performance

- Innovative design that completely encloses all moving parts and minimizes pinch points
- Supplied reaction arm as standard
- Fully adjustable 360 degree in-line reaction arm
- Fine tooth ratchet prevents locking-on

Simplicity

- Simple robust design with just three moving parts for reduced maintenance
- Push button, quick release, reversible square drive

Versatility

- The reaction arm, positioned around the square drive instead of the back of the drive unit, provides you with the possibility to turn the drive unit away from an obstacle

Accuracy

- Accuracy of $\pm 3\%$



Torque Wrench Options and Accessories

Optional accessories are available for maximum versatility. Please contact your Enerpac representative to help you select the optimum solution for your application.

Page: 11



Back-Up Spanner

To be used to stop the back nut from turning during make up or break out. Two hexagon sizes in one tool.

Page: 9



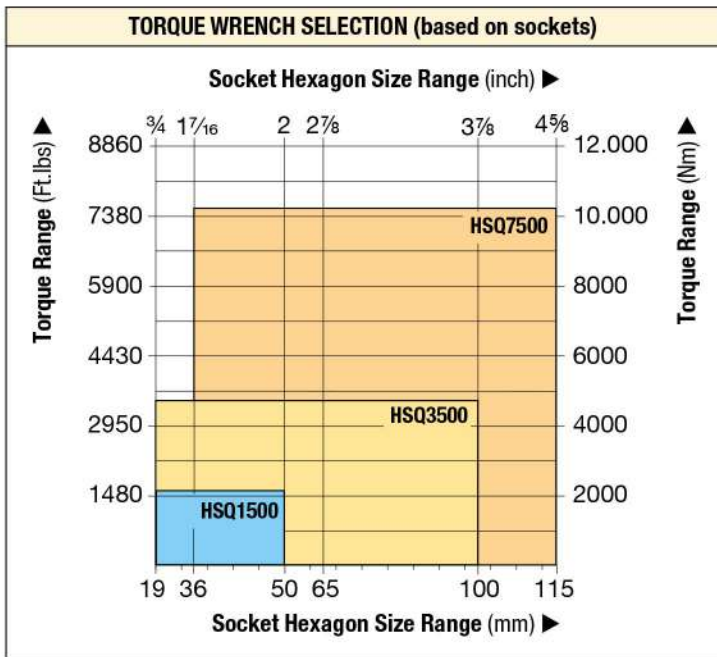
Torque Wrench Hoses

Use Enerpac THQ-700 Series hoses with HMT-Series torque wrenches to ensure the integrity of your hydraulic system.

2 m long, 2 hoses	THQ-702T
6 m long, 2 hoses	THQ-706T
12 m long, 2 hoses	THQ-712T



HSQ, Square Drive Hydraulic Torque Wrenches



HMT Series



Maximum Torque at 10.000 psi:

1541 - 7562 Ft.lbs

Maximum Torque at 690 bar:

2089 - 10.252 Nm

Square Drive Range:

3/4 - 1 1/2 inch

Maximum Operating Pressure:

690 bar / 10.000 psi



BSH-Series Sockets

Heavy-Duty Impact Sockets for power driven torquing equipment.

Page: **8**



Select the Right Torque

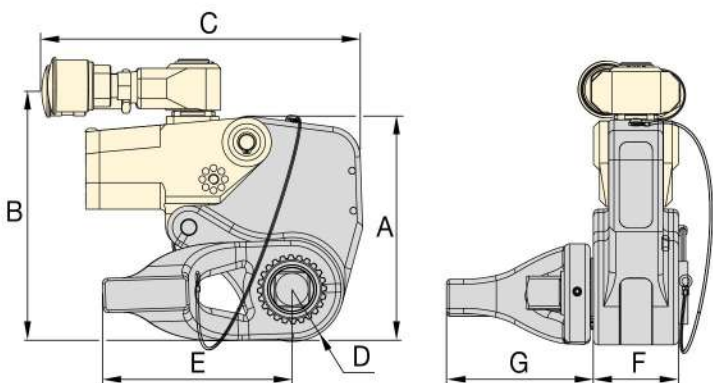
Choose your Enerpac Torque Wrench using the untightening rule of thumb: Loosening torque equals about 250% of tightening torque.



Torque Pumps

Visit enerpac.com for system matched air and electric torque wrench pumps that are ideal for use with hydraulic torque wrenches.

Page: **10**



SELECTION CHART

Maximum Torque Output		Square Drive Size (inch)	Square Drive Cassette * Model Number	Dimensions (inch)							⚖️ (lbs)	Dimensions (mm)							⚖️ (kg)
(Ft.lbs)	(Nm)			A	B	C	D	E	F	G		A	B	C	D	E	F	G	
1541	2089	3/4	HSQ1500	5.71	6.61	6.85	1.19	2.36	1.95	3.29	8.16	145	168	174	30	60	50	84	3,7
3543	4804	1	HSQ3500	7.54	8.23	7.95	1.52	3.07	2.58	4.35	13.01	192	209	202	39	78	66	111	5,9
7562	10.252	1 1/2	HSQ7500	9.60	10.08	9.25	1.99	4.33	3.23	6.32	25.13	244	256	235	51	110	82	161	11,4

* **IMPORTANT:** HMT-drive units must be ordered separately to operate the HSQ-Square Drive Cassettes.

BSH-Series, Heavy-Duty Sockets

- Heavy-duty impact sockets
- Supplied with "Pin and Ring"

METRIC SOCKETS

3/4" Square Drive		1" Square Drive		1 1/2" Square Drive		2 1/2" Square Drive	
A/F (mm)	Model Number	A/F (mm)	Model Number	A/F (mm)	Model Number	A/F (mm)	Model Number
19	BSH7519	19	BSH1019	36	BSH1536	65	BSH2565
24	BSH7524	24	BSH1024	41	BSH15163	70	BSH2570
27	BSH7527	27	BSH1027	46	BSH1546	75	BSH2575
30	BSH7530	30	BSH1030	50	BSH1550	80	BSH2580
32	BSH7532	32	BSH1032	55	BSH1555	85	BSH2585
36	BSH7536	36	BSH1036	60	BSH1560	90	BSH2590
41	BSH75163	41	BSH10163	65	BSH1565	95	BSH2595
46	BSH7546	46	BSH1046	70	BSH1570	100	BSH25100
50	BSH7550	50	BSH1050	75	BSH1575	105	BSH25105
-	-	55	BSH1055	80	BSH1580	110	BSH25110
-	-	60	BSH1060	85	BSH1585	115	BSH25115
-	-	65	BSH1065	90	BSH1590	120	BSH25120
-	-	70	BSH1070	95	BSH1595	125	BSH25125
-	-	75	BSH1075	100	BSH15100	135	BSH25135
-	-	80	BSH1080	105	BSH15105	140	BSH25140
-	-	85	BSH1085	110	BSH15110	145	BSH25145
-	-	90	BSH1090	115	BSH15115	150	BSH25150
-	-	95	BSH1095	-	-	155	BSH25155
-	-	100	BSH10100	-	-	-	-

BSH Series



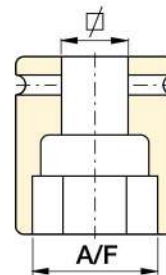
Hexagon Size:

19 - 155 mm | 3/4" - 6 1/8"



Select the Right Torque

Choose your Enerpac Torque Wrench using the untightening rule of thumb: Loosening torque equals about 250% of tightening torque.



Pin and Ring

All sockets are supplied with a "Pin and Ring" to hold the socket in place on the square drive of the tool.

IMPERIAL SOCKETS

3/4" Square Drive		1" Square Drive				1 1/2" Square Drive				2 1/2" Square Drive			
A/F (inch)	Model Number	A/F (inch)	Model Number	A/F (inch)	Model Number	A/F (inch)	Model Number	A/F (inch)	Model Number	A/F (inch)	Model Number	A/F (inch)	Model Number
3/4"	BSH7519	3/4"	BSH1019	2 5/16"	BSH10231	1 7/16"	BSH15144	2 13/16"	BSH15281	2 7/16"	BSH25244	4 3/16"	BSH25419
7/8"	BSH75088	7/8"	BSH10088	2 3/8"	BSH10238	1 1/2"	BSH1538	2 7/8"	BSH15288	2 1/2"	BSH25250	4 1/4"	BSH25425
15/16"	BSH75094	15/16"	BSH10094	2 7/16"	BSH10244	1 9/16"	BSH15156	2 15/16"	BSH1575	2 13/16"	BSH2565	4 5/16"	BSH25110
1 1/16"	BSH7527	1 1/16"	BSH1027	2 1/2"	BSH10250	1 5/8"	BSH15163	3"	BSH15300	2 5/8"	BSH25263	4 3/8"	BSH25438
1 3/16"	BSH7530	1 3/16"	BSH1030	2 9/16"	BSH1065	1 11/16"	BSH1543	3 1/16"	BSH15306	2 11/16"	BSH25269	4 1/2"	BSH25450
1 1/4"	BSH75125	1 1/4"	BSH10125	2 5/8"	BSH10263	1 3/4"	BSH15175	3 3/8"	BSH15313	2 3/4"	BSH2570	4 5/8"	BSH25463
1 5/16"	BSH75131	1 5/16"	BSH10131	2 11/16"	BSH10269	1 13/16"	BSH1546	3 3/16"	BSH15319	2 11/16"	BSH25281	4 3/4"	BSH25475
1 3/8"	BSH7535	1 3/8"	BSH1035	2 3/4"	BSH1070	1 7/8"	BSH15188	3 1/4"	BSH15325	2 7/8"	BSH25288	4 7/8"	BSH25488
1 7/16"	BSH75144	1 7/16"	BSH10144	2 13/16"	BSH10281	1 15/16"	BSH15194	3 3/8"	BSH15338	2 15/16"	BSH2575	5"	BSH25500
1 1/2"	BSH7538	1 1/2"	BSH1038	2 7/8"	BSH10288	2"	BSH15200	3 1/2"	BSH15350	3"	BSH25300	5 1/8"	BSH25513
1 9/16"	BSH75156	1 9/16"	BSH10156	2 15/16"	BSH1075	2 1/16"	BSH15206	3 5/8"	BSH15363	3 1/16"	BSH25306	5 3/16"	BSH25519
1 5/8"	BSH75163	1 5/8"	BSH10163	3"	BSH10300	2 1/8"	BSH15213	3 3/4"	BSH1595	3 1/8"	BSH25313	5 1/4"	BSH25525
1 11/16"	BSH7543	1 11/16"	BSH1043	3 1/16"	BSH10306	2 3/16"	BSH15219	3 7/8"	BSH15388	3 3/16"	BSH25319	5 3/8"	BSH25538
1 3/4"	BSH75175	1 3/4"	BSH10175	3 1/8"	BSH10313	2 1/4"	BSH15225	3 15/16"	BSH15100	3 1/4"	BSH25325	5 1/2"	BSH25140
1 13/16"	BSH7546	1 13/16"	BSH1046	3 3/16"	BSH10319	2 5/16"	BSH15231	4"	BSH15400	3 3/8"	BSH25338	5 3/4"	BSH25575
1 7/8"	BSH75188	1 7/8"	BSH10188	3 1/4"	BSH10325	2 3/8"	BSH15238	4 1/8"	BSH15105	3 1/2"	BSH25350	5 7/8"	BSH25150
1 15/16"	BSH75194	1 15/16"	BSH10194	3 3/8"	BSH10338	2 7/16"	BSH15244	4 3/16"	BSH15419	3 5/8"	BSH25363	6"	BSH25600
2"	BSH75200	2"	BSH10200	3 1/2"	BSH10350	2 1/2"	BSH15250	4 1/4"	BSH15425	3 3/4"	BSH2595	6 1/8"	BSH25613
-	-	2 1/16"	BSH10206	3 5/8"	BSH10363	2 9/16"	BSH1565	4 5/16"	BSH15110	3 7/8"	BSH25388	-	-
-	-	2 1/8"	BSH10213	3 3/4"	BSH1095	2 5/8"	BSH15263	4 3/8"	BSH15438	3 15/16"	BSH25100	-	-
-	-	2 3/16"	BSH10219	3 7/8"	BSH10388	2 11/16"	BSH15269	4 1/2"	BSH15450	4"	BSH25400	-	-
-	-	2 1/4"	BSH10225	-	-	2 3/4"	BSH1570	4 5/8"	BSH15463	4 1/8"	BSH25105	-	-

▼ **BUS03 Back-Up Spanner** (safety cable not shown)



- Hands free solution – improves operator safety
- Eliminates the need for flogging spanners
- Speeds up the bolting process
- Includes safety cable with quick-connect carabiner's, stainless steel tethers and secure Allen-key fixings
- Won't lock on during operations
- Lightweight, spark-free and non-impact for improved safety and ease of use.
- Two hexagon sizes in one tool, so fewer tools to carry.

BUS Series

Hexagon Sizes (A/F):
27 - 120 mm

Hexagon Sizes (A/F):
1¹/₁₆ - 4¹⁵/₁₆ inch

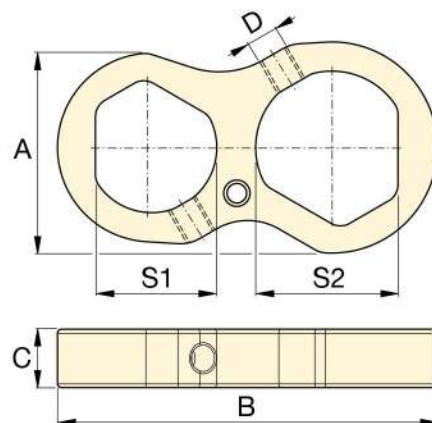


Back-Up Spanners

Hands free operation of a hydraulic torque wrench improves the safety of the operator significantly.

Enerpac Back-Up Spanners are a hands free tool that eliminates the need to use a flogging spanner as a backing tool.

The Back-Up Spanners have been specifically designed to prevent them from locking onto the nut during bolt torquing operations. They fit easily onto the back nut and prevent it from turning during make up or break out of bolted joints.



▼ **SELECTION CHART BACK-UP SPANNERS**

Hexagon Sizes (A/F)		Model Number	Dimensions (mm)				Weight (kg)
S1 to S2 (mm)	S1 to S2 (inch)		A	B	C	D	
27 - 32	1 ¹ / ₁₆ - 1 ¹ / ₄ "	BUS 01	51	98	15	M8	0,3
36 - 41	1 ⁷ / ₁₆ - 1 ⁵ / ₈ "	BUS 02	62	119	15	M8	0,4
46 - 50	1 ¹³ / ₁₆ - 2"	BUS 03	75	141	20	M8	0,6
55 - 60	2 ³ / ₁₆ - 2 ³ / ₈ "	BUS 04	89	166	20	M12	0,8
65 - 70	2 ⁹ / ₁₆ - 2 ³ / ₄ "	BUS 05	100	190	25	M16	1,0
75 - 80	2 ¹⁵ / ₁₆ - 3 ¹ / ₈ "	BUS 06	112	213	25	M16	1,3
-	3 ¹ / ₂ - 3 ⁷ / ₈ "	BUS 07	135	257	30	M20	2,2
-	4 ¹ / ₄ - 4 ⁵ / ₈ "	BUS 08	163	310	30	M20	3,3
85 - 90	-	BUS 09	126	242	25	M16	1,7
95 - 100	3 ³ / ₄ - 3 ¹⁵ / ₁₆ "	BUS 10	138	266	30	M20	2,3
105 - 110	4 ¹ / ₈ - 4 ¹⁵ / ₁₆ "	BUS 11	153	297	30	M20	3,1
115 - 120	-	BUS 12	165	320	30	M20	3,5

▼ *Enerpac Back-Up Spanners to be used to stop back nut from turning during make up or break out.*



Optimum Wrench-Pump Combinations

For optimum speed and performance Enerpac recommends the following system set-up with wrench-pump-hose combinations. For other combinations, consult your Enerpac bolting expert or your authorized Enerpac distributor.

		ELECTRIC PUMPS					AIR DRIVEN PUMPS	
		Cordless XC-Series	E-Pulse® E-Series	TQ-Series	ZU4-Series	ZE-Series	LAT-Series	ZA4-Series
Speed:								
Oil Flow at 700 bar:		0,25 l/min	0,52 l/min	0,5 l/min	1,0 l/min	0,8 - 1,6 l/min	0,4 l/min	1,0 l/min
Reservoir Capacity:		2,0 litres	3,0 litres	4,0 litres	4,6 - 6,8 litres	4,6 - 39 litres	3,0 litres	4,6 - 6,8 litres
Duty Cycle:		Intermittent	Heavy-Duty	Standard	Standard	Heavy-Duty	Standard	Heavy-Duty
Weight:								
Work:		Field	Field/Factory	Field/Factory	Field	Factory	Field	Field
	S1500X	Optimal	Optimal	Optimal			Optimal	
	S3000X							
	S6000X	-	Acceptable	Acceptable			Acceptable	Optimal
	S11000X							
	S25000X	Optimal	Optimal	Optimal	Optimal	Optimal	Optimal	
	W2000X							
	W4000X	-	Acceptable	Acceptable			Acceptable	
	W8000X							
	W15000X	Optimal	Optimal	Optimal	Optimal	Optimal	Optimal	Optimal
	W22000X							
	W35000X	-	Acceptable	Acceptable			Acceptable	
	RSL1500							
	RSL3000	Optimal	Optimal	Optimal	Optimal	Optimal	Optimal	Optimal
	RSL5000							
	RSL8000	-	Acceptable	Acceptable			Acceptable	
	RSL11000							
	RSL19000	Optimal	Optimal	Optimal	Optimal	Optimal	Optimal	Optimal
	RSL28000							
	DSX1500	Optimal	Optimal	Optimal	Optimal	Optimal	Optimal	Optimal
	DSX3000							
	DSX5000	-	Acceptable	Acceptable			Acceptable	Optimal
	DSX11000							
	DSX25000	Optimal	Optimal	Optimal	Optimal	Optimal	Optimal	Optimal
	HMT1500							
	HMT3500	Acceptable	Optimal	Optimal	Optimal	Optimal	Optimal	Optimal
	HMT7500							



XC-Series, Portable Cordless Pumps

Ideal for maintenance bolting applications at sites that do not have access to power or where having extension cords or air hoses could cause trip hazards.

E-Series, E-Pulse Portable Torque Pumps

Ideal for high volume fastening applications where weight is critical. Feature an interactive pendant for operation, programming and diagnostics.

TQ-700 Series Electric Torque Pumps

Designed for both portability and production, to deliver superior bolting speed.

ZU4T – Electric Torque Pumps

Works well with long extension cords or generator driven electrical power supplies. Available in **Pro** and **Classic** formats.

ZU4T Pro Pumps have an LCD feature to display torque or pressure, selectable torque wrench, and self-diagnostics.

ZU4T Classic Pumps feature an analogue gauge and a basic electrical package to deliver durable, safe and efficient hydraulic power.

ZE-Series Electric Torque Pumps

Features LCD to display torque or pressure values, and self-diagnostics. With induction motor, making the ZE-Series the coolest and quietest pumps in their class.

LAT-Series Lightweight Torque Air Pumps

Combines compact design and high productivity for bolting applications in areas hard to access with larger air powered pumps.

ZA4T-Series Air Driven Torque Pumps

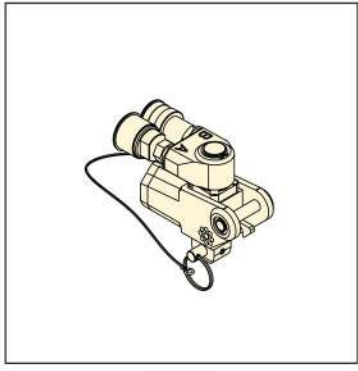
This air driven pump is best suited to power medium to large size torque wrenches.

THQ-Series, Torque Wrench Hoses

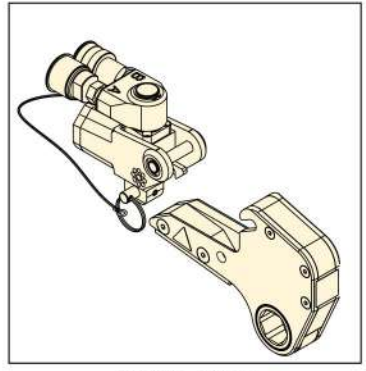
Use Enerpac THQ-700 Series twin hoses with all torque wrenches to ensure the integrity of your hydraulic system.



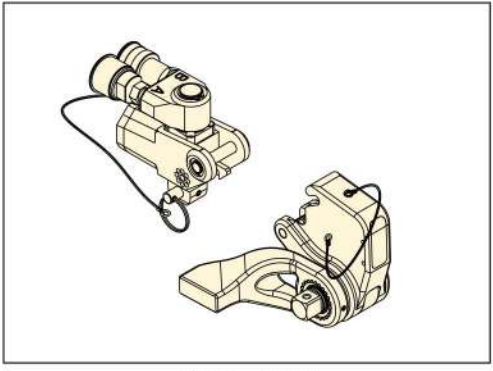
HMT-Series, Torque Wrench Options and Accessories



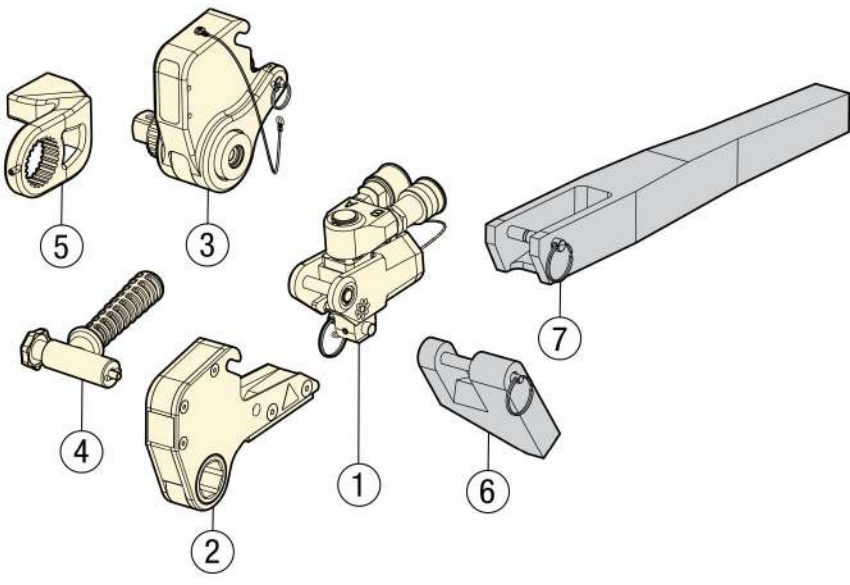
HMT



HMT...HLP



HMT...HSQ



- ① Drive Unit (HMT)
 - ② Hexagon Cassette (HLP)
 - ③ Square Drive Cassette (HSQ)
 - ④ Ergonomic Tool Handle
 - ⑤ Reaction Arm for Square Drive Cassette
- Optional Parts** (only available per request)
- ⑥ Reaction Paddle
 - ⑦ Extended Reaction Arm

Enerpac Online Bolting Calculator (Bolting Integrity Software)



Bolting Integrity Software

Visit enerpac.com to access our free on-line bolting software application. A comprehensive free online software solution for Bolted Joint Integrity.

Integral databases hold data for:

- BS1560, MSS SP44, API 6A and 17D flanged joints
- Common gasket materials and configurations
- Comprehensive range of bolt materials
- Comprehensive range of lubricants
- Enerpac's Controlled Bolting Equipment including: Torque Multipliers, Hydraulic Wrenches and Bolt Tensioning tools.

Custom Joint information can also be entered

The software offers Tool selection, Bolt Load calculations and Tool pressure settings, as well as a combined Application data sheet and Joint completion report.



THE RIGHT TOOL MAKES ALL THE DIFFERENCE

Enerpac bolting tools are put to work under the most intense and demanding conditions. That's why we never compromise. So you can rely on quality and precision every time for your controlled tightening and joint integrity applications.

As a global leader in high-pressure hydraulic tools, controlled force products and solutions for precision positioning of heavy loads, Enerpac products have moved and maintained some of the largest structures on earth. They are the industry standard in aerospace, infrastructure, manufacturing, mining, oil & gas, power generation and much more.

ELITE TOOLS. FOR ELITE PROFESSIONALS.

Controlled Tightening and Loosening



S-, W-, RSL-, DSX and HMT-Series Hydraulic Torque Wrenches



STTL-Series Safe T™ Torque Lock



Manual Torque Multipliers



Pneumatic and Electric Torque Wrenches



Cordless Torque Pumps



Electric Torque Pumps



Pneumatic Torque Pumps

Tensioning Tools



Power Generation Bolt Tensioners



HydraMax, General Purpose and Aquajack® Subsea Tensioners



Electric Tensioning Pumps



Pneumatic Tensioning Pumps



High-Pressure Hand Pumps

Joint Assembly & Joint Separation



Hydraulic Nut Cutters and Nut Splitters



Flange Alignment Tools



Flange Face Tool



Flange Spreaders



Valve Change-Out Tool Sets



Flange Puller Sets



www.enerpac.com