



RSL-SERIES LOW-PROFILE HEXAGON & SQUARE DRIVE TORQUE WRENCHES

One Drive, Two Tools



ENERPAC 

▼ Shown: RSL Torque Wrench Drive with interchangeable RLP hexagon cassette



Setting New Standards in Safety, Simplicity and Performance



Torque Wrench Options and Accessories

Optional accessories are available for maximum versatility. Please contact your Enerpac representative to help you select the optimum solution for your application.

Page: 15

Safety and Performance

- Innovative design that completely encloses all moving parts and minimizes pinch points
- 30-35° of operating stroke provides added productivity while avoiding “tool lock on” which is common with some torque wrench designs

Simplicity

- Simple robust alloy steel design with just three moving parts for reduced maintenance
- Designed to give optimum strength to weight and torque to weight ratios
- Minimum nose radius for trouble-free tool fit

Versatility

- Interchangeable cassette design
- Wide range of hexagon sizes available for all applications
- Reaction arm has a simple dial lock for rapid change
- For use in multiple industrial, energy, and oil and gas applications

Accuracy

- Accuracy of +/-3%



Back-Up Spanner

To be used to stop back nut from turning during make up or break out. Two hex sizes in one tool.

Hexagon Sizes (A/F)		Back-Up Spanner Model Number
(in)	(mm)	
1 1/16 - 1 1/4	27 - 32	BUS 01
1 7/16 - 1 5/8	36 - 41	BUS 02
1 13/16 - 2	46 - 50	BUS 03
2 3/16 - 2 3/8	55 - 60	BUS 04
2 9/16 - 2 3/4	65 - 70	BUS 05
2 15/16 - 3 1/8	75 - 80	BUS 06
3 1/2 - 3 7/8	–	BUS 07
4 1/4 - 4 5/8	–	BUS 08
–	85 - 90	BUS 09
3 3/4 - 3 15/16	95 - 100	BUS 10
4 1/8 - 4 15/16	105 - 110	BUS 11
–	115 - 120	BUS 12



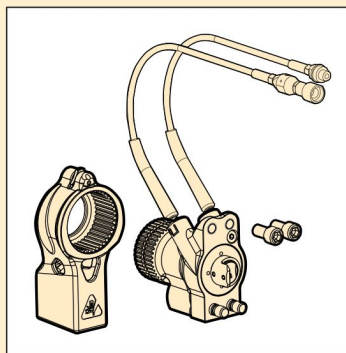
Torque Wrench Pumps

Visit enerpac.com for system matched air and electric torque wrench pumps that are ideal for use with hydraulic torque wrenches.

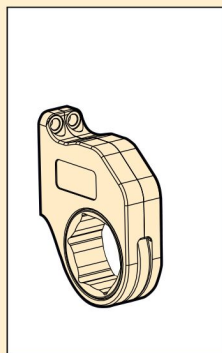
Page: 9



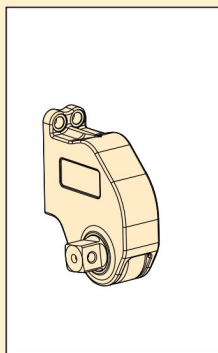
One Drive, Two Tools
One RSL-Hydraulic Drive Unit fits RLP-Hexagon Cassette or RSQ-Square Drive Head.



RSL

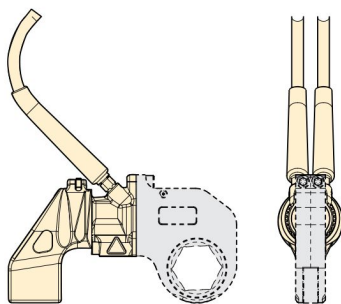


RLP... / RLP...SL

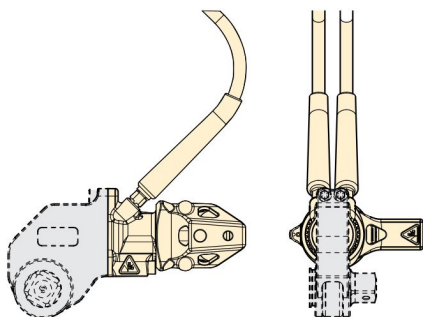


RSQ

▼ **RSL Torque Wrench Drive shown with RLP, Low-Profile Hexagon Cassette**



▼ **RSL Torque Wrench Drive shown with RSQ, Square Drive Head**



▼ **SELECTION CHART**

Hexagon Cassette Range (A/F) (see pages 4-8 for sizes and model numbers)		Drive Unit Model Number	Maximum Torque Output		Weight (lbs)
(in)	(mm)		(ft-lbs)	Nm	
7/8 - 2-3/8	22 - 60	RSL1500	1408	1909	3.4
1-1/4 - 2-15/16	32 - 74	RSL3000	3080	4176	5.6
2 - 3-1/8	50 - 80	RSL5000	5303	7190	8.9
2-3/16 - 3-1/8	55 - 80	RSL8000	7862	10659	10.6
2-9/16 - 4-5/8	65 - 117	RSL11000	11154	15123	11.6
3-1/8 - 4-5/8	79 - 117	RSL19000	18843	25547	20.0
3-1/2 - 6-1/8	89 - 155	RSL28000	28002	37965	22.0

RSL Series



Maximum Torque Output:
28,002 ft-lbs

Hexagon Range:
7/8 - 6 1/8 inches

Hexagon Range:
22 - 155 mm

Maximum Operating Pressure:
10,000 psi



Select the Right Torque

Choose your Enerpac Torque Wrench using the untightening rule of thumb: Loosening torque equals about 250% of tightening torque.



Torque Wrench Hoses

Use Enerpac THQ-700 Series hoses with RSL-Series torque wrenches to ensure the integrity of your hydraulic system.

19.5 feet long, 2 hoses	THQ-706T
39 feet long, 2 hoses	THQ-712T



RLP-Series, Low-Profile Hexagon Cassettes

For metric and imperial hexagon cassettes see pages 4-8.

Page: **4-8**

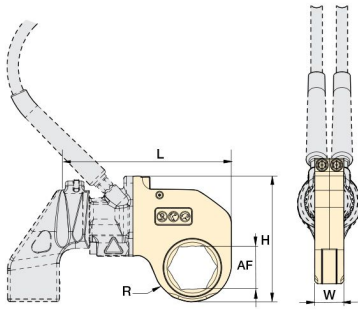


RSQ-Series, Square-Drive Heads

RSQ Square Drive Heads are interchangeable with the RLP Hexagon Cassettes.

The same RSL drive unit is used for all the cassettes.

Page: **12**



Hexagon Range:
7/8 - 6 1/8 inches

Hexagon Range:
22 - 155 mm

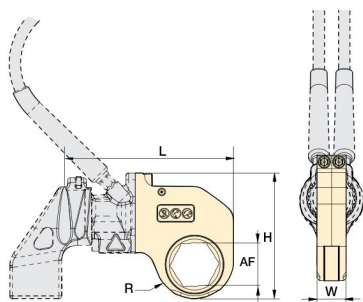
Maximum Operating Pressure:
10,000 psi

**RSL
Series**



▼ **SELECTION CHART**

Hexagon Cassette Model Number	Drive Unit Model Number	AF Size		Maximum Torque Output (ft-lbs)	Dimensions (in)				Weight (lbs)	
		(in)	(mm)		R	L	W	H		
RLP1014	RSL1500	7/8	-	320	0.79	6.00	1.25	4.33	2.2	
RLP1101		1 1/16	-	640	0.95	6.05	1.25	4.50	2.2	
RLP1102		1 1/8	-	640	1.03	6.12	1.25	4.57	2.3	
RLP1103		1 3/16	-	640	1.03	6.12	1.25	4.57	2.3	
RLP1104		1 1/4	-	640	1.03	6.12	1.25	4.57	2.3	
RLP1105		1 5/16	-	900	1.15	6.24	1.25	4.69	2.4	
RLP1032M		-	32	-	900	1.15	6.24	1.25	4.69	2.4
RLP1106		1 3/8	-	900	1.15	6.24	1.25	4.69	2.4	
RLP1036M		-	36	-	900	1.15	6.24	1.25	4.69	2.4
RLP1107		1 7/16	-	900	1.15	6.24	1.25	4.69	2.4	
RLP1108		1 1/2	-	1408	1.31	6.41	1.25	4.86	2.7	
RLP1109		1 9/16	-	1408	1.31	6.41	1.25	4.86	2.7	
RLP1110		1 5/8	41	-	1408	1.31	6.41	1.25	4.86	2.7
RLP1111		1 11/16	-	1408	1.40	6.49	1.25	4.94	2.7	
RLP1112		1 3/4	-	1408	1.40	6.49	1.25	4.94	2.7	
RLP1046M		1 13/16	46	-	1408	1.40	6.49	1.25	4.94	2.7
RLP1113		1 13/16	-	1408	1.40	6.49	1.25	4.94	2.7	
RLP1114		1 7/8	-	1408	1.48	6.58	1.25	5.03	2.7	
RLP1115		1 15/16	-	1408	1.48	6.58	1.25	5.03	2.7	
RLP1200		2	-	1408	1.48	6.58	1.25	5.03	2.7	
RLP1201		2 1/16	-	1408	1.58	6.68	1.25	5.13	2.7	
RLP1202		2 1/8	54	-	1408	1.58	6.68	1.25	5.13	2.7
RLP1203		2 3/16	-	1408	1.58	6.68	1.25	5.13	2.7	
RLP1204		2 1/4	-	1408	1.70	6.79	1.25	5.24	2.8	
RLP1205		2 5/16	-	1408	1.70	6.79	1.25	5.24	2.8	
RLP1206		2 3/8	-	1408	1.70	6.79	1.25	5.24	2.8	
RLP3105		RSL3000	1 5/16	-	900	1.18	7.62	1.38	5.49	3.5
RLP3106			1 3/8	35	900	1.18	7.62	1.38	5.49	3.5
RLP3107			1 7/16	-	900	1.18	7.62	1.38	5.49	3.5
RLP3108			1 1/2	-	1200	1.32	7.77	1.38	5.63	3.9
RLP3109	1 9/16		-	1200	1.32	7.77	1.38	5.63	3.9	
RLP3110	1 5/8		-	1200	1.32	7.77	1.38	5.63	3.9	
RLP3111	1 11/16		-	1900	1.47	7.87	1.38	5.78	4.0	
RLP3112	1 3/4		-	1900	1.47	7.87	1.38	5.78	4.0	
RLP3113	1 13/16		-	1900	1.47	7.87	1.38	5.78	4.0	
RLP3114	1 7/8		-	2600	1.60	8.04	1.38	5.92	4.5	
RLP3115	1 15/16		-	2600	1.60	8.04	1.38	5.92	4.5	
RLP3200	2		-	2600	1.60	8.04	1.38	5.92	4.5	
RLP3201	2 1/16		-	3080	1.76	8.16	1.38	6.08	4.7	
RLP3202	2 1/8		-	3080	1.76	8.16	1.38	6.08	4.7	
RLP3055M	-		55	3080	1.76	8.16	1.38	6.08	4.7	
RLP3203	2 3/16		-	3080	1.76	8.16	1.38	6.08	4.7	
RLP3204	2 1/4		-	3080	1.84	8.25	1.38	6.15	4.8	



Hexagon Range:
7/8 - 6 1/8 inches

Hexagon Range:
22 - 155 mm

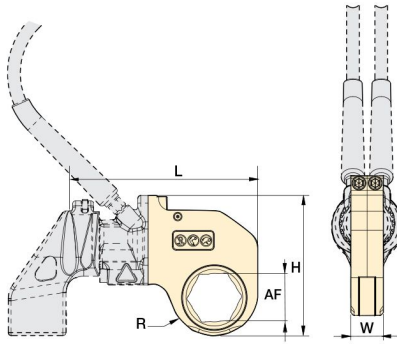
Maximum Operating Pressure:
10,000 psi

**RSL
Series**



▼ **SELECTION CHART**

Hexagon Cassette Model Number	Drive Unit Model Number	AF Size		Maximum Torque Output (ft-lbs)	Dimensions (in)				Weight (lbs)	
		(in)	(mm)		R	L	W	H		
RLP3205	RSL3000	2 15/16	-	3080	1.84	8.25	1.38	6.15	4.8	
RLP3206		2 3/8	-	3080	1.84	8.25	1.38	6.15	4.8	
RLP3060M		-	60	3080	1.84	8.25	1.38	6.15	4.8	
RLP3207		2 7/16	-	3080	1.95	8.14	1.38	6.26	4.6	
RLP3208		2 1/2	-	3080	1.95	8.14	1.38	6.26	4.6	
RLP3209		2 9/16	-	3080	1.95	8.14	1.38	6.26	4.6	
RLP3210		2 5/8	-	3080	2.04	8.23	1.38	6.36	4.4	
RLP3211		2 11/16	-	3080	2.04	8.23	1.38	6.36	4.4	
RLP3212		2 3/4	-	3080	2.04	8.23	1.38	6.36	4.4	
RLP3213		2 13/16	-	3080	2.16	8.34	1.38	6.54	4.7	
RLP3214		2 7/8	-	3080	2.16	8.34	1.38	6.54	4.7	
RLP3215		2 15/16	-	3080	2.16	8.34	1.38	6.54	4.7	
RLP5111		RSL5000	1 11/16	-	2600	1.61	9.08	1.75	6.52	6.6
RLP5112			1 3/4	-	2600	1.61	9.08	1.75	6.52	6.6
RLP5113	1 13/16		46	2600	1.61	9.08	1.75	6.52	6.6	
RLP5114	1 7/8		-	2600	1.61	9.08	1.75	6.52	6.6	
RLP5115	1 15/16		-	2600	1.61	9.08	1.75	6.52	6.6	
RLP5200	2		-	2600	1.61	9.08	1.75	6.52	6.6	
RLP5201	2 1/16		-	3500	1.71	9.18	1.75	6.62	6.5	
RLP5202	2 1/8		-	3500	1.71	9.18	1.75	6.62	6.5	
RLP5203	2 3/16		-	3500	1.71	9.18	1.75	6.62	6.5	
RLP5204	2 1/4		-	4500	1.87	9.34	1.75	6.78	7.0	
RLP5205	2 5/16		-	4500	1.87	9.34	1.75	6.78	7.0	
RLP5206	2 3/8		-	4500	1.87	9.34	1.75	6.78	7.0	
RLP5207	2 7/16		-	5303	2.01	9.48	1.75	6.92	7.0	
RLP5208	2 1/2		-	5303	2.01	9.48	1.75	6.92	7.0	
RLP5209	2 9/16		65	5303	2.01	9.48	1.75	6.92	7.0	
RLP5210	2 5/8		-	5303	2.16	9.63	1.75	7.07	7.5	
RLP5211	2 11/16		-	5303	2.16	9.63	1.75	7.07	7.5	
RLP5212	2 3/4		70	5303	2.16	9.63	1.75	7.07	7.5	
RLP5213	2 13/16		-	5303	2.24	9.71	1.75	7.15	7.5	
RLP5214	2 7/8		-	5303	2.24	9.71	1.75	7.15	7.5	
RLP5215	2 15/16		75	5303	2.24	9.71	1.75	7.15	7.5	
RLP5300	3		-	5303	2.26	9.73	1.75	7.17	7.2	
RLP5301	3 1/16		-	5303	2.26	9.73	1.75	7.17	7.2	
RLP5302	3 1/8		-	5303	2.26	9.73	1.75	7.17	7.2	
RLP5080M	-		80	5303	2.26	9.73	1.75	7.17	7.2	
RLP8060M	RSL8000		-	60	4500	1.87	9.53	2.25	7.00	8.9
RLP8206			2 3/8	-	4500	1.87	9.53	2.25	7.00	8.9
RLP8207			2 7/16	-	5800	2.01	9.67	2.25	7.13	9.0
RLP8208		2 1/2	-	5800	2.01	9.67	2.25	7.13	9.0	
RLP8209		2 9/16	65	5800	2.01	9.67	2.25	7.13	9.0	
RLP8210		2 5/8	-	7862	2.16	9.82	2.25	7.28	9.6	



Hexagon Range:
7/8 - 6 1/8 inches

Hexagon Range:
22 - 155 mm

Maximum Operating Pressure:
10,000 psi

**RSL
Series**



▼ SELECTION CHART

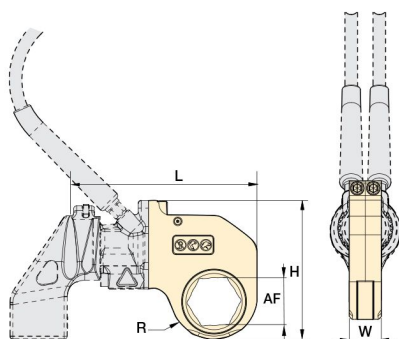
Hexagon Cassette Model Number	Drive Unit Model Number	AF Size		Maximum Torque Output (ft-lbs)	Dimensions (in)				Weight (lbs)
		(in)	(mm)		R	L	W	H	
RLP8211	RSL8000	2 1/16	-	7862	2.16	9.82	2.25	7.28	9.6
RLP8212		2 3/4	70	7862	2.16	9.82	2.25	7.28	9.6
RLP8213		2 13/16	-	7862	2.24	9.90	2.25	7.36	9.6
RLP8214		2 7/8	-	7862	2.24	9.90	2.25	7.36	9.6
RLP8215		2 15/16	75	7862	2.24	9.90	2.25	7.36	9.6
RLP8300		3	-	7862	2.26	9.92	2.25	7.39	9.3
RLP8301		3 1/16	-	7862	2.26	9.92	2.25	7.39	9.3
RLP8302		3 1/8	-	7862	2.26	9.92	2.25	7.39	9.3
RLP11207		RSL11000	2 7/16	-	5800	1.98	10.00	2.50	8.03
RLP11208	2 1/2		-	5800	1.98	10.00	2.50	8.03	14.2
RLP11209	2 9/16		65	5800	1.98	10.00	2.50	8.03	14.2
RLP11210	2 5/8		-	7300	2.19	11.20	2.50	8.23	14.8
RLP11211	2 1 1/16		-	7300	2.19	11.20	2.50	8.23	14.8
RLP11212	2 3/4		70	7300	2.19	11.20	2.50	8.23	14.8
RLP11213	2 13/16		-	9000	2.29	11.31	2.50	8.34	14.8
RLP11214	2 7/8		-	9000	2.29	11.31	2.50	8.34	14.8
RLP11215	2 15/16		75	9000	2.29	11.31	2.50	8.34	14.8
RLP11300	3		-	11154	2.43	11.44	2.50	8.47	15.2
RLP11301	3 1/16		-	11154	2.43	11.44	2.50	8.47	15.2
RLP11302	3 1/8		-	11154	2.43	11.44	2.50	8.47	15.2
RLP11303	3 3/16		-	11154	2.60	11.71	2.50	8.64	16.6
RLP11085M	-		85	11154	2.60	11.71	2.50	8.64	16.6
RLP11304	3 1/4		-	11154	2.60	11.71	2.50	8.64	16.6
RLP11305	3 5/16		-	11154	2.60	11.71	2.50	8.64	16.6
RLP11306	3 3/8		-	11154	2.60	11.71	2.50	8.64	16.6
RLP11307	3 7/16		-	11154	2.60	11.71	2.50	8.64	16.6
RLP11308	3 1/2		-	11154	2.60	11.71	2.50	8.64	16.6
RLP11090M	-		90	11154	2.88	11.89	2.50	8.92	17.2
RLP11309	3 9/16		-	11154	2.88	11.89	2.50	8.92	17.2
RLP11310	3 5/8		-	11154	2.88	11.89	2.50	8.92	17.2
RLP11311	3 1 1/16		-	11154	2.88	11.89	2.50	8.92	17.2
RLP11312	3 3/4		95	11154	2.88	11.89	2.50	8.92	17.2
RLP11313	3 13/16		97	11154	2.88	11.89	2.50	8.92	17.2
RLP11314	3 7/8		-	11154	2.88	11.89	2.50	8.92	17.2
RLP11100M	3 15/16		100	11154	2.98	12.00	2.50	9.03	16.4
RLP11400	4 1/4		-	11154	2.98	12.00	2.50	9.03	16.4
RLP11401	4 1/16		-	11154	2.98	12.00	2.50	9.03	16.4
RLP11402	4 1/8		105	11154	2.98	12.00	2.50	9.03	16.4
RLP11404	4 1/4		-	11154	2.98	12.00	2.50	9.03	16.4
RLP11408	4 1/2		-	11154	3.25	12.27	2.50	9.30	17.6
RLP11410	4 5/8		-	11154	3.25	12.27	2.50	9.30	17.6

Hexagon Range:
7/8 - 6 1/8 inches

Hexagon Range:
22 - 155 mm

Maximum Operating Pressure:
10,000 psi

**RSL
Series**



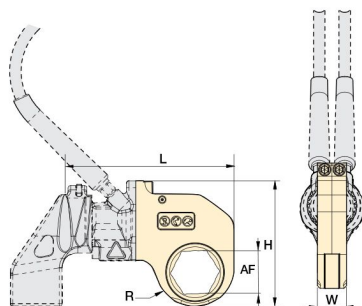
Slimline Stepped-Width Hexagon Cassettes

For accessing narrow spaces, **RLP...SL**, Stepped-Width Hexagon Cassettes are available. Slimline cassettes use the same drive unit as the standard RLP cassettes.

Page: **14**

▼ **SELECTION CHART**

Hexagon Cassette Model Number	Drive Unit Model Number	AF Size		Maximum Torque Output (ft-lbs)	Dimensions (in)				Weight (lbs)
		(in)	(mm)		R	L	W	H	
RLP19215	RSL19000	2 ¹⁵ / ₁₆	-	11000	2.45	12.72	2.75	9.44	21.5
RLP19300		3	-	11000	2.45	12.72	2.75	9.44	21.5
RLP19301		3 ¹ / ₁₆	-	11000	2.45	12.72	2.75	9.44	21.5
RLP19302		3 ¹ / ₈	-	11000	2.45	12.72	2.75	9.44	21.5
RLP19303		3 ³ / ₁₆	-	16000	2.77	13.04	2.75	9.76	22.6
RLP19304		3 ¹ / ₄	-	16000	2.77	13.04	2.75	9.76	22.6
RLP19305		3 ⁵ / ₁₆	-	16000	2.77	13.04	2.75	9.76	22.6
RLP19306		3 ³ / ₈	-	16000	2.77	13.04	2.75	9.76	22.6
RLP19307		3 ⁷ / ₁₆	-	16000	2.77	13.04	2.75	9.76	22.6
RLP19308		3 ¹ / ₂	-	16000	2.77	13.04	2.75	9.76	22.6
RLP19309		3 ⁹ / ₁₆	-	18843	2.95	13.22	2.75	9.94	23.8
RLP19310		3 ⁵ / ₈	-	18843	2.95	13.22	2.75	9.94	23.8
RLP19311		3 ¹¹ / ₁₆	-	18843	2.95	13.22	2.75	9.94	23.8
RLP19312		3 ³ / ₄	-	18843	2.95	13.22	2.75	9.94	23.8
RLP19313		3 ¹³ / ₁₆	-	18843	2.95	13.22	2.75	9.94	23.8
RLP19314		3 ⁷ / ₈	-	18843	2.95	13.22	2.75	9.94	23.8
RLP19315		3 ¹⁵ / ₁₆	-	18843	3.30	13.57	2.75	10.28	25.3
RLP19400		4	-	18843	3.30	13.57	2.75	10.28	25.3
RLP19401		4 ¹ / ₁₆	-	18843	3.30	13.57	2.75	10.28	25.3
RLP19402		4 ¹ / ₈	105	18843	3.30	13.57	2.75	10.28	25.3
RLP19403		4 ³ / ₁₆	-	18843	3.30	13.57	2.75	10.28	25.3
RLP19404		4 ¹ / ₄	108	18843	3.30	13.57	2.75	10.28	25.3
RLP19405		4 ⁵ / ₁₆	-	18843	3.44	13.71	2.75	10.43	25.6
RLP19406		4 ³ / ₈	-	18843	3.44	13.71	2.75	10.43	25.6
RLP19407		4 ⁷ / ₁₆	-	18843	3.44	13.71	2.75	10.43	25.6
RLP19408		4 ¹ / ₂	-	18843	3.44	13.71	2.75	10.43	25.6
RLP19409		4 ⁹ / ₁₆	-	18843	3.44	13.71	2.75	10.43	25.6
RLP19410		4 ⁵ / ₈	-	18843	3.44	13.71	2.75	10.43	25.6



Hexagon Range:
7/8 - 6 1/8 inches

Hexagon Range:
22 - 155 mm

Maximum Operating Pressure:
10,000 psi

**RSL
Series**



▼ SELECTION CHART

Hexagon Cassette Model Number	Drive Unit Model Number	AF Size		Maximum Torque Output (ft-lbs)	Dimensions (in)				Weight (lbs)
		(in)	(mm)		R	L	W	H	
RLP28302	RSL28000	3 1/8	-	16000	2.56	14.36	3.00	10.54	27.6
RLP28303		3 9/16	-	16000	2.56	14.36	3.00	10.54	27.6
RLP28304		3 1/4	-	16000	2.56	14.36	3.00	10.54	27.6
RLP28305		3 5/16	-	16000	2.56	14.36	3.00	10.54	27.6
RLP28306		3 3/8	-	16000	2.56	14.36	3.00	10.54	27.6
RLP28307		3 7/16	-	16000	2.56	14.36	3.00	10.54	27.6
RLP28308		3 1/2	-	16000	2.56	14.36	3.00	10.54	27.6
RLP28309		3 9/16	-	22000	2.92	14.36	3.00	10.77	28.8
RLP28310		3 5/8	-	22000	2.92	14.36	3.00	10.77	28.8
RLP28311		3 1 1/16	-	22000	2.92	14.36	3.00	10.77	28.8
RLP28312		3 3/4	95	22000	2.92	14.36	3.00	10.77	28.8
RLP28313		3 13/16	-	22000	2.92	14.36	3.00	10.77	28.5
RLP28314		3 7/8	-	22000	2.92	14.36	3.00	10.77	28.8
RLP28315		3 15/16	-	22002	3.29	14.47	3.00	11.14	31.7
RLP28400		4	-	28002	3.29	14.47	3.00	11.14	31.7
RLP28401		4 1/16	-	28002	3.29	14.47	3.00	11.14	31.7
RLP28402		4 1/8	105	28002	3.29	14.47	3.00	11.14	31.7
RLP28403		4 3/16	-	28002	3.29	14.47	3.00	11.14	31.7
RLP28404		4 1/4	-	28002	3.29	14.47	3.00	11.14	31.7
RLP28405		4 5/16	-	28002	3.43	14.61	3.00	11.28	31.5
RLP28406		4 3/8	-	28002	3.43	14.61	3.00	11.28	31.5
RLP28407		4 7/16	-	28002	3.43	14.61	3.00	11.28	31.5
RLP28408		4 1/2	-	28002	3.43	14.61	3.00	11.28	31.5
RLP28409		4 9/16	-	28002	3.43	14.61	3.00	11.28	31.5
RLP28410		4 5/8	-	28002	3.43	14.61	3.00	11.28	31.5
RLP28412		4 3/4	-	28002	3.65	14.83	3.00	11.50	33.5
RLP28414		4 7/8	-	28002	3.65	14.83	3.00	11.50	33.5
RLP28500		5	-	28002	3.65	14.83	3.00	11.50	33.5
RLP28502		5 1/8	-	28002	3.79	14.97	3.00	11.64	33.2
RLP28503		5 3/16	-	28002	3.79	14.97	3.00	11.64	33.2
RLP28504		5 1/4	-	28002	3.79	14.97	3.00	11.64	33.2
RLP28506		5 3/8	-	28002	3.79	14.97	3.00	11.64	33.2
RLP28508	5 1/2	-	28002	4.05	15.23	3.00	11.90	33.5	
RLP28509	5 9/16	-	28002	4.05	15.23	3.00	11.90	33.5	
RLP28510	5 5/8	-	28002	4.05	15.23	3.00	11.90	33.5	
RLP28512	5 3/4	-	28002	4.05	15.23	3.00	11.90	33.5	
RLP28514	5 7/8	-	28002	4.22	15.48	3.00	12.15	34.5	
RLP28600	6	-	28002	4.22	15.48	3.00	12.15	34.5	
RLP28602	6 1/8	-	28002	4.22	15.48	3.00	12.15	34.5	



Optimum Torque Wrench and Pump Combinations

For optimum speed and performance, Enerpac recommends the following system set-up with wrench-pump-hose combinations. For other combinations, consult your Enerpac bolting expert or your authorized Enerpac distributor.

XC-Series, Battery-Powered Torque Wrench Pumps

The XC-Series Cordless Torque Wrench pump is ideal for maintenance applications in the PowerGen, Oil & Gas and MRO markets. This portable pump is perfect for remote locations, sites that do not have access to power or where trip hazards are a concern.

PMU-Series, Electric Torque Wrenches

Portable lightweight pump with standard heat exchanger. Universal motor for high power-to-weight ratio. Generates full pressure on as little as 50% of the rated line voltage.

TQ-700 Series Electric Wrench Pumps

Designed for both portability and production, the TQ-700 features optimized flow technology to deliver superior bolting speed.

ZU4T-Series, Electric Wrench Pumps

Utilizing a universal motor, the ZU4-Series has excellent low voltage characteristics. It works well with long extension cords or generator-driven electrical power supplies.

ZE4T, ZE5T-Series Electric Wrench Pumps

The ZE-Series features premium options, such as the LCD to display torque or pressure values, and self-diagnostics. These pumps utilize an induction motor, making the ZE-Series the coolest and quietest pumps in their class.

ZA-Series Air Driven Torque Wrench Pump

Utilizing the highly efficient design of the Z-Class pumping element, this air driven pump is best suited to power medium to large size torque wrenches.

Torque Wrench Pumps

	ELECTRIC PUMPS					AIR DRIVEN PUMPS
	XC-Series	PMU-Series	TQ-Series	ZU4-Series	ZE-Series	ZA4-Series
Flow at 10,000 psi:	15 in ³ /min	20 in ³ /min	30 in ³ /min	60 in ³ /min	60-120 in ³ /min	60 in ³ /min
Reservoir Capacity:	.5 Gallon	.5 - 1 Gallon	1 Gallon	1 - 1.75 Gallon	1 - 10 Gallon	1 - 1.75 Gallon
Weight:						
Model Number: 1) 115 V, 1-ph 2) 230 V, 1-ph 3) 230 V, 3-ph 4) 400 V, 3-ph	XC-1502TB ¹⁾ XC-1502TE ²⁾	PMU-10427-Q ¹⁾ PMU-10447-Q ¹⁾ PMU-10422-Q ²⁾ PMU-10442-Q ²⁾	TQ-700 B ¹⁾ TQ-700 E ²⁾	ZU4204TB-Q ¹⁾ ZU4208TB-Q ¹⁾ ZU4204TE-Q ²⁾ ZU4208TE-Q ²⁾ ZU4204BB-QH ¹⁾ ZU4204BB-Q ¹⁾ ZU4208BE-QH ²⁾ ZU4204BE-Q ²⁾	ZE4204TB-QHR ¹⁾ ZE4204TE-QHR ²⁾ ZE4204TG-QHR ³⁾ ZE5204TW-QHR ⁴⁾	ZA4208TX-QRU105 ZA4204TX-Q ZA4208TX-Q ZA4204TX-QR ZA4208TX-QR



▼ Shown: RSL drive unit with interchangeable RLP—SL slimline cassette



Setting New Standards in Simplicity, Versatility and Accuracy



Torque Wrench Options and Accessories

Optional accessories are available for maximum versatility. Please contact your Enerpac representative to help you select the optimum solution for your application.

Page: 15

Simplicity

- Minimum nose radius for trouble-free tool fit which makes it uniquely equipped to access tight spaces
- Simple robust alloy steel design with three moving parts for reduced maintenance
- Proven to perform even in the harshest environments
- Reaction arm has a simple dial lock for rapid change
- Designed to give optimum strength to weight and torque to weight ratios

Versatility

- Interchangeable cassette design
- Drive unit / hexagon cassette combination for limited height in line solutions
- Wide range of hexagon sizes available for all applications

Accuracy

- Accuracy of +/-3%

Ease of Use

- Few moving parts are easily accessible for quick field maintenance
- Innovative design that completely encloses all moving parts and minimizes pinch points



Back-Up Spanner

To be used to stop back nut from turning during make up or break out. Two hex sizes in one tool.

Hexagon Sizes (A/F)		Back-Up Spanner Model Number
(in)	(mm)	
1 ¹ / ₁₆ - 1 ¹ / ₄	27 - 32	BUS 01
1 ⁷ / ₁₆ - 1 ⁵ / ₈	36 - 41	BUS 02
1 ¹³ / ₁₆ - 2	46 - 50	BUS 03
2 ³ / ₁₆ - 2 ³ / ₈	55 - 60	BUS 04
2 ⁹ / ₁₆ - 2 ³ / ₄	65 - 70	BUS 05
2 ¹⁵ / ₁₆ - 3 ¹ / ₈	75 - 80	BUS 06
3 ¹ / ₂ - 3 ⁷ / ₈	-	BUS 07
4 ¹ / ₄ - 4 ⁵ / ₈	-	BUS 08
-	85 - 90	BUS 09
3 ³ / ₄ - 3 ¹⁵ / ₁₆	95 - 100	BUS 10
4 ¹ / ₈ - 4 ¹⁵ / ₁₆	105 - 110	BUS 11
-	115 - 120	BUS 12



Torque Wrench Pumps

Visit enerpac.com for system matched air and electric torque wrench pumps that are ideal for use with hydraulic torque wrenches.

Page: 9



Slimline Stepped-Width Cassettes

Accessing narrow spaces normally requires significantly reducing the width of the torque wrench. For the tool operator, this has always meant vastly reduced tool durability, and/or reduced torque output.

By using the highest-grade materials and perfecting the geometry, the RSL Slimline cassettes are able to provide greater torque, get into tighter spaces, and vastly outperform the competition in product durability.

RSL Series



Hexagon Range:

1 1/4 - 3 3/16 inches

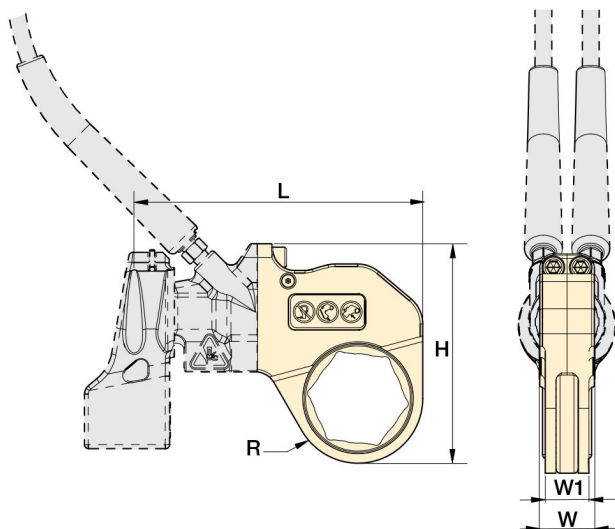
Maximum Operating Pressure:

10,000 psi



Select the Right Torque

Choose your Enerpac Torque Wrench using the untightening rule of thumb: Loosening torque equals about 250% of tightening torque.



SELECTION CHART

Model Number	Drive Unit (sold separately)	Maximum AF Size		Maximum Torque Output (ft-lbs)	Dimensions (in)					Weight (lbs)
		(in)	(mm)		R	L	H	W	W1	
RLP1104SL	RSL1500	1-1/4	31	375	1.03	6.12	4.57	1.25	1.00	2.25
RLP1107SL		1-7/16	36	658	1.15	6.24	4.69	1.25	1.09	2.35
RLP1110SL		1-5/8	41	831	1.31	6.41	4.86	1.25	1.00	2.70
RLP1113SL		1-13/16	46	831	1.40	6.49	4.94	1.25	1.00	2.70
RLP1200SL		2	50	831	1.48	6.58	5.03	1.25	1.00	2.70
RLP3200SL	RSL3000	2	50	1354	1.60	8.04	5.92	1.376	1.13	4.50
RLP3203SL		2-3/16	55	1604	1.76	8.16	6.08	1.376	1.13	4.65
RLP3206SL		2-3/8	60	1604	1.84	8.25	6.15	1.376	1.13	4.77
RLP3209SL		2-9/16	65	1604	1.95	8.14	6.26	1.376	1.13	4.55
RLP3212SL		2-3/4	69	1604	2.04	8.23	6.36	1.376	1.13	4.43
RLP3215SL	RSL5000	2-15/16	74	1604	2.16	8.34	6.54	1.376	1.13	4.70
RLP5212SL		2-3/4	69	4173	2.16	9.63	7.07	1.75	1.62	7.52
RLP5302SL		3-1/8	79	4173	2.26	9.73	7.17	1.75	1.62	7.20
RLP8203SL	RSL8000	2-3/16	55	2487	1.71	9.37	6.84	2.25	2.00	8.45
RLP8206SL		2-3/8	60	3198	1.87	9.53	7.00	2.25	2.00	8.90
RLP8209SL		2-9/16	65	4122	2.01	9.67	7.13	2.25	2.00	8.95
RLP8212SL		2-3/4	69	5587	2.16	9.82	7.28	2.25	2.00	9.56
RLP8215SL		2-15/16	75	5587	2.24	9.90	7.36	2.25	2.00	9.62
RLP8302SL		3-1/8	79	5587	2.26	9.92	7.39	2.25	2.00	9.29
RLP8303SL		3-3/16	80	4740	2.26	9.92	7.39	2.25	2.00	9.29

▼ Shown: RSL drive unit with interchangeable RSQ square drive head



Setting New Standards in Safety, Simplicity and Performance



Torque Wrench Hoses

Use Enerpac THQ-700 Series hoses with RSL-Series torque wrenches to ensure the integrity of your hydraulic system.

19.5 feet long, 2 hoses	THQ-706T
39 feet long, 2 hoses	THQ-712T

Safety and Performance

- Innovative design that completely encloses all moving parts and minimizes pinch points
- 30–35° of operating stroke provides added productivity while avoiding “tool lock on” which is common with some torque wrench designs

Simplicity

- Simple robust design with just three moving parts for reduced maintenance
- Robust handles are available which mount on both sides and the tops of cassettes to allow for extra maneuverability
- Pull-type square drive release for quickly reversing the square drive for tightening or loosening

Versatility

- Square Drive Sets available with Interchangeable Hexagon Cassettes
- Power head / square drive combination for flexible use with standard impact quality sockets
- Reaction arm has a simple dial lock for rapid change

Accuracy

- Accuracy of +/-3%



Torque Wrench Options and Accessories

Optional accessories are available for maximum versatility. Please contact your Enerpac representative to help you select the optimum solution for your application.

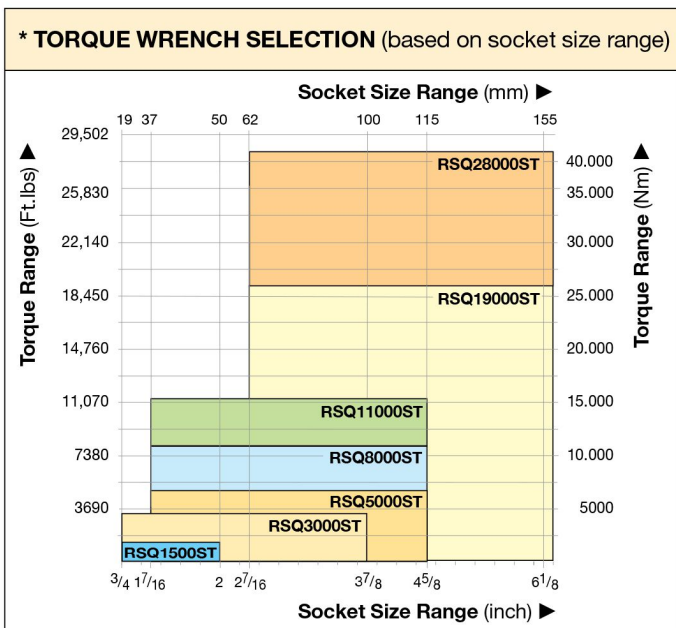
Page: 15



Back-Up Spanner

To be used to stop back nut from turning during make up or break out. Two hex sizes in one tool.

Hexagon Sizes (A/F)		Back-Up Spanner Model Number
(in)	(mm)	
1 1/16 - 1 1/4	27 - 32	BUS 01
1 7/16 - 1 5/8	36 - 41	BUS 02
1 13/16 - 2	46 - 50	BUS 03
2 3/16 - 2 3/8	55 - 60	BUS 04
2 9/16 - 2 3/4	65 - 70	BUS 05
2 15/16 - 3 1/8	75 - 80	BUS 06
3 1/2 - 3 7/8	–	BUS 07
4 1/4 - 4 5/8	–	BUS 08
–	85 - 90	BUS 09
3 3/4 - 3 15/16	95 - 100	BUS 10
4 1/8 - 4 15/16	105 - 110	BUS 11
–	115 - 120	BUS 12



See page 14 for BSH-Sockets.

RSL Series



Maximum Torque Output:
28,002 Ft.lbs

Square Drive Range:
3/4 - 2 1/2 inches

Maximum Operating Pressure:
10,000 psi



BSH-Series Sockets

Heavy-Duty Impact Sockets for power driven torquing equipment.

Page: **14**



Select the Right Torque

Choose your Enerpac Torque Wrench using the untightening rule of thumb: Loosening torque equals about 250% of tightening torque.



Torque Wrench Pumps

Visit enerpac.com for system matched air and electric torque wrench pumps that are ideal for use with hydraulic torque wrenches.

Page: **9**

SELECTION CHART

Maximum Torque Output		Square Drive Size (in)	Square Drive Head Model Numbers ¹⁾	Square Drive Torque Wrench Set Model Numbers ²⁾	Dimensions (in)							Weight (lbs)		
(ft-lbs)	(Nm)				W	W1	W2	H	L	L1	R	Drive Unit (no reaction arm)	Reaction Arm	Square Drive Head
1408	1909	3/4	RSQ1500	RSQ1500ST	1.25	2.30	3.98	4.48	6.29	7.45	0.94	3.4	1.0	2.8
3080	4176	1	RSQ3000	RSQ3000ST	1.50	2.88	4.89	5.57	7.67	10.30	1.25	5.6	2.2	5.2
5303	7190	1-1/2	RSQ5000	RSQ5000ST	1.75	3.71	6.31	6.42	9.27	11.67	1.52	8.9	4.0	9.1
7862	10659	1-1/2	RSQ8000	RSQ8000ST	2.40	4.14	6.30	6.65	9.47	11.78	1.52	10.6	4.3	11.6
11154	15123	1-1/2	RSQ11000	RSQ11000ST	2.50	4.63	6.70	7.93	11.20	12.40	1.88	11.6	6.6	18.4
18843	25547	2-1/2	RSQ19000	RSQ19000ST	3.25	6.38	10.42	9.48	13.46	18.97	2.50	20.0	15.7	28.9
28002	37965	2-1/2	RSQ28000	RSQ28000ST	3.50	6.54	8.93	10.35	14.09	21.07	2.50	22.0	11.1	39.3

¹⁾ When ordering an RSQ Square Drive Head the RSL Drive Unit must be ordered separately.

²⁾ An RSQ....ST Torque Wrench Set includes a RSQ Square Drive Head, RSL Drive Unit with short Whip Hoses, and Reaction Arm

- Heavy-duty impact sockets
- Supplied with "Pin and Ring"

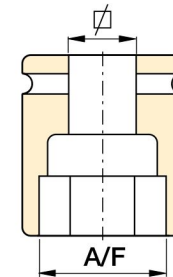
Hexagon Sizes:

3/4 - 6 1/8 inches
(19 - 155 mm)



IMPERIAL SOCKETS													
3/4" Square Drive		1" Square Drive				1 1/2" Square Drive				2 1/2" Square Drive			
Model Number	A/F (in)	Model Number	A/F (in)	Model Number	A/F (in)	Model Number	A/F (in)	Model Number	A/F (in)	Model Number	A/F (in)	Model Number	A/F (in)
BSH7519	3/4"	BSH1019	3/4"	BSH10231	2 5/16"	BSH15144	1 7/16"	BSH15281	2 13/16"	BSH25244	2 7/16"	BSH25419	4 3/16"
BSH75088	7/8"	BSH10088	7/8"	BSH10238	2 3/8"	BSH1538	1 1/2"	BSH15288	2 7/8"	BSH25250	2 1/2"	BSH25425	4 1/4"
BSH75094	15/16"	BSH10094	15/16"	BSH10244	2 7/16"	BSH15156	1 9/16"	BSH1575	2 15/16"	BSH2565	2 9/16"	BSH25110	4 5/16"
BSH7527	1 1/16"	BSH1027	1 1/16"	BSH10250	2 1/2"	BSH15163	1 5/8"	BSH15300	3"	BSH25263	2 5/8"	BSH25438	4 3/8"
BSH7530	1 3/16"	BSH1030	1 3/16"	BSH1065	2 9/16"	BSH1543	1 11/16"	BSH15306	3 1/16"	BSH25269	2 11/16"	BSH25450	4 1/2"
BSH75125	1 1/4"	BSH10125	1 1/4"	BSH10263	2 5/8"	BSH15175	1 3/4"	BSH15313	3 1/8"	BSH2570	2 3/4"	BSH25463	4 5/8"
BSH75131	1 5/16"	BSH10131	1 5/16"	BSH10269	2 11/16"	BSH1546	1 13/16"	BSH15319	3 3/16"	BSH25281	2 13/16"	BSH25475	4 3/4"
BSH7535	1 3/8"	BSH1035	1 3/8"	BSH1070	2 3/4"	BSH15188	1 7/8"	BSH15325	3 1/4"	BSH25288	2 7/8"	BSH25488	4 7/8"
BSH75144	1 7/16"	BSH10144	1 7/16"	BSH10281	2 13/16"	BSH15194	1 15/16"	BSH15338	3 3/8"	BSH2575	2 15/16"	BSH25500	5"
BSH7538	1 1/2"	BSH1038	1 1/2"	BSH10288	2 7/8"	BSH15200	2"	BSH15350	3 1/2"	BSH25300	3"	BSH25513	5 1/8"
BSH75156	1 9/16"	BSH10156	1 9/16"	BSH1075	2 15/16"	BSH15206	2 1/16"	BSH15363	3 5/8"	BSH25306	3 1/16"	BSH25519	5 3/16"
BSH75163	1 5/8"	BSH10163	1 5/8"	BSH10300	3"	BSH15213	2 1/8"	BSH1595	3 3/4"	BSH25313	3 1/8"	BSH25525	5 1/4"
BSH7543	1 11/16"	BSH1043	1 11/16"	BSH10306	3 1/16"	BSH15219	2 3/16"	BSH15388	3 7/8"	BSH25319	3 3/16"	BSH25538	5 3/8"
BSH75175	1 3/4"	BSH10175	1 3/4"	BSH10313	3 1/8"	BSH15225	2 1/4"	BSH15100	3 15/16"	BSH25325	3 1/4"	BSH25140	5 1/2"
BSH7546	1 13/16"	BSH1046	1 13/16"	BSH10319	3 3/16"	BSH15231	2 5/16"	BSH15400	4"	BSH25338	3 3/8"	BSH25575	5 3/4"
BSH75188	1 7/8"	BSH10188	1 7/8"	BSH10325	3 1/4"	BSH15238	2 3/8"	BSH15105	4 1/8"	BSH25350	3 1/2"	BSH25150	5 7/8"
BSH75194	1 15/16"	BSH10194	1 15/16"	BSH10338	3 3/8"	BSH15244	2 7/16"	BSH15419	4 3/16"	BSH25363	3 5/8"	BSH25600	6"
BSH75200	2"	BSH10200	2"	BSH10350	3 1/2"	BSH15250	2 1/2"	BSH15425	4 1/4"	BSH2595	3 3/4"	BSH25613	6 1/8"
		BSH10206	2 1/16"	BSH10363	3 5/8"	BSH1565	2 9/16"	BSH15110	4 5/16"	BSH25388	3 7/8"		
		BSH10213	2 1/8"	BSH1095	3 3/4"	BSH15263	2 5/8"	BSH15438	4 3/8"	BSH25100	3 15/16"		
		BSH10219	2 3/16"	BSH10388	3 7/8"	BSH15269	2 11/16"	BSH15450	4 1/2"	BSH25400	4"		
		BSH10225	2 1/4"			BSH1570	2 3/4"	BSH15463	4 5/8"	BSH25105	4 1/8"		

METRIC SOCKETS							
3/4" Square Drive		1" Square Drive		1 1/2" Square Drive		2 1/2" Square Drive	
Model Number	A/F (mm)	Model Number	A/F (mm)	Model Number	A/F (mm)	Model Number	A/F (mm)
BSH7519	19	BSH1019	19	BSH1536	36	BSH2565	65
BSH7524	24	BSH1024	24	BSH15163	41	BSH2570	70
BSH7527	27	BSH1027	27	BSH1546	46	BSH2575	75
BSH7530	30	BSH1030	30	BSH1550	50	BSH2580	80
BSH7532	32	BSH1032	32	BSH1555	55	BSH2585	85
BSH7536	36	BSH1036	36	BSH1560	60	BSH2590	90
BSH75163	41	BSH10163	41	BSH1565	65	BSH2595	95
BSH7546	46	BSH1046	46	BSH1570	70	BSH25100	100
BSH7550	50	BSH1050	50	BSH1575	75	BSH25105	105
		BSH1055	55	BSH1580	80	BSH25110	110
		BSH1060	60	BSH1585	85	BSH25115	115
		BSH1065	65	BSH1590	90	BSH25120	120
		BSH1070	70	BSH1595	95	BSH25125	125
		BSH1075	75	BSH15100	100	BSH25135	135
		BSH1080	80	BSH15105	105	BSH25140	140
		BSH1085	85	BSH15110	110	BSH25145	145
		BSH1090	90	BSH15115	115	BSH25150	150
		BSH1095	95			BSH25155	155
		BSH10100	100				



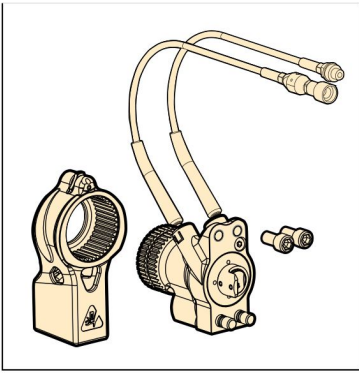
Pin and Ring

All sockets are supplied with a "Pin and Ring" to hold the socket in place on the square drive of the tool.

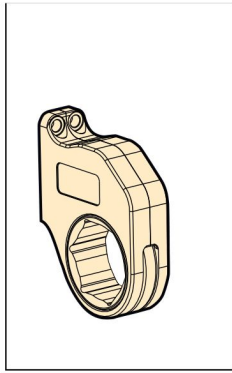


Select the Right Torque

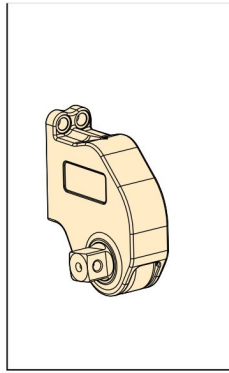
Choose your Enerpac Torque Wrench using the untightening rule of thumb: Loosening torque equals about 250% of tightening torque.



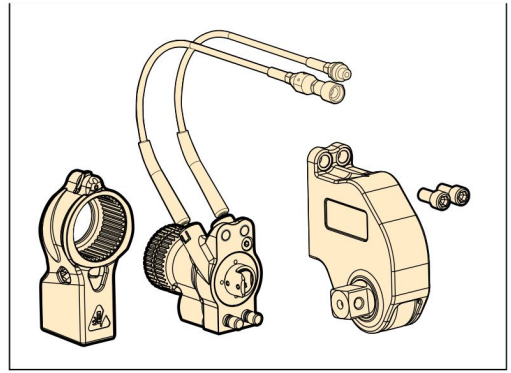
RSL



RLP... / RLP...SL



RSQ



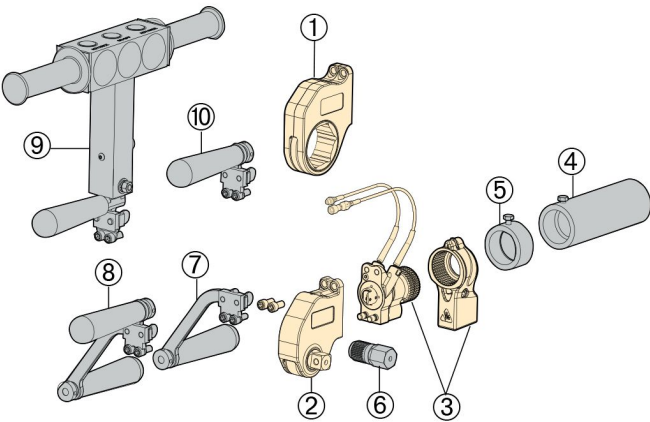
RSQ...ST

- ① Hexagon Cassette
- ② Square Drive Head
- ③ Drive Unit and Reaction Arm

Optional Parts*

- ④ Reaction Tube
- ⑤ Reaction Cover - Spline
- ⑥ Hex Bit
- ⑦ Handle (Single) for Square Drive Head
- ⑧ Handle (Dual) for Square Drive Head
- ⑨ Safe T™
- ⑩ Handle (Single) for Hexagon Cassette

* Optional parts only available per request.



Bolting Integrity Software

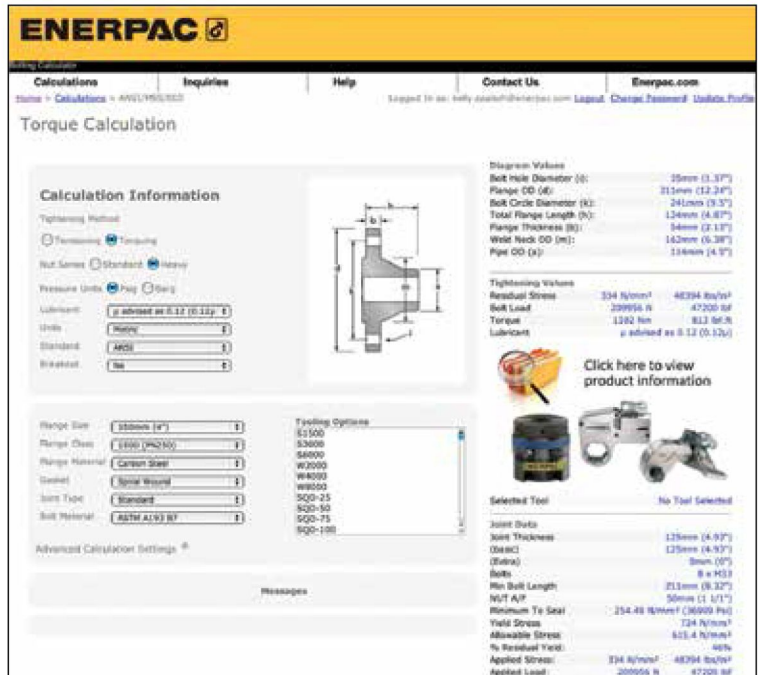
A comprehensive on-line software solution for Bolted Joint Integrity.

Integral databases hold data for:

- BS1560, MSS SP44, API 6A and 17D flanged joints
- Common gasket materials and configurations
- Comprehensive range of bolt materials
- Comprehensive range of lubricants
- Enerpac's Controlled Bolting Equipment including: Torque Multipliers, Hydraulic Wrenches and Bolt Tensioning tools

Custom Joint information can also be entered.

The software offers Tool selection, Bolt Load calculations and Tool pressure settings, as well as a combined Application data sheet and Joint completion report.



Visit www.enerpac.com to access our free on-line bolting software application and obtain information on tool selection, bolt load calculations and tool pressure settings. A combined application data sheet and joint completion report is also available.



BOLTING SOLUTIONS

Enerpac's comprehensive range of bolting equipment provides precise and effective force to make your work more productive, safer, and easier to perform. The best solutions for controlled tightening, joint integrity and more, available from one source.

Controlled Tightening and Loosening



Pneumatic and Electric Wrenches



Hydraulic Torque Wrenches: Square Drive, Low Profile, Ultra Slim



Electric Torque Wrench Pumps



Pneumatic Torque Wrench Pumps



Cordless Torque Wrench Pump



Manual Torque Multipliers

Tensioning Tools



Power Generation Bolt Tensioners



General Purpose Bolt Tensioners



Electric Tensioning Pumps



Pneumatic Tensioning Pumps



High-Pressure Hand Pumps

Joint Assembly & Joint Separation



Hydraulic Nut Cutters and Nut Splitters



Step-Type Spreaders



Flange Alignment Tools



Flange Spreaders



Mechanical Flange Face Tool

www.enerpac.com

Enerpac Worldwide Locations

For a complete list of addresses see:
www.enerpac.com/en/enerpac-locations
User Inquiries: 800-433-2766
Distributor Inquiries: 800-558-0530

Your Enerpac Distributor:

741_030145118_EN-US © 2018 Enerpac - Subject to change without notice.

ENERPAC **POWERFUL SOLUTIONS. GLOBAL FORCE.**