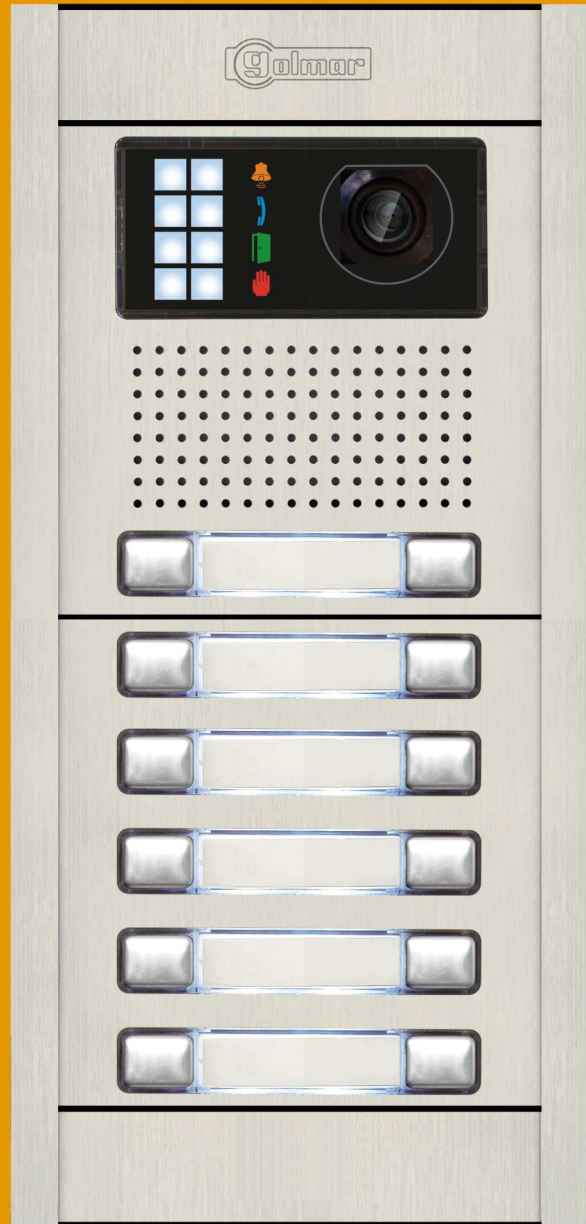




# USER MANUAL



## Audio and Video Door Entry System Nexa Modular Gb2 2-Wire



## INTRODUCTION

---

First and foremost we would like to thank you for purchasing this product.

Our commitment to achieving the satisfaction of customers like you is manifested through our ISO-9001 certification and the manufacture of products like the one you have just purchased.

Its advanced technology and strict quality control will ensure that customers and users enjoy the numerous features that this device offers. To get the most out of them and ensure proper operation from day one, we recommend that you read this instruction manual.

## CONTENTS

---

Introduction.....	2
Contents.....	2
Set-up warnings.....	2
Safety precautions.....	3
Characteristics.....	3
System operation.....	3
Description of the Nexa Modular door panel.....	
Description of the door panel.....	4
Description of the EL632 GB2B P/T - EL642 GB2A sound module.....	5
Description of the EL610D button modules.....	6
Positioning the embedding box.....	7
Preparing the cable entry.....	7
Fitting the embedding box.....	8
Mounting the electronic modules.....	8
Fastening the frame to the embedding box.....	9
Connecting the buttons to the short connection cable.....	9
Connecting the buttons to the RAP-610D short connection cable.....	10
Configuring the button code (operating mode 1).....	10
Configuring double button module codes.....	11
Configuring single button module codes.....	12-13
Configuring the button code (operating mode 2, audio only up to 128 telephones/apartments).....	14-15
Configuring double button module codes.....	16-19
Configuring single button module codes.....	20-23
Description of the DIP switch.....	24
Description of the configuration jumper.....	24
Description of the LED lights (low light conditions).....	24
Description of the visual signals on the door panel.....	24
Description of the vocal synthesis (audible signals on the door panel).....	25
Adjusting the door panel communication volume.....	25
Selecting the vocal synthesis language.....	25
Configuring the contact type for Relay 1 and Relay 2 (lock release).....	25
Adjusting the vocal synthesis volume.....	26
Selecting the sound module operating mode.....	26-27
Adjusting the telecamera and closing the frame.....	27
Inserting the button identification labels.....	28
Mounting the door panel/double door panel modules and closing the door panel.....	28-30
Installing the power supply unit (FA-GB2/B) and lock release.....	31
Wiring diagrams.....	32-44

## SET-UP WARNINGS

---

- Do not overtighten the screws on the power supply connector.
- **Always disconnect the power supply** before installing or making modifications to the devices.
- The fitting and handling of these devices must be carried out by **authorised personnel**.
- The wiring must run at least **40cm away from any other wiring**.
- Before connecting the device to the mains, check the connections between the door panel, power supply unit, distributors, camera unit, image memory, monitors, telephones and hands-free audio terminals.
- Use the Golmar **RAP-2150** cable (2x1mm<sup>2</sup>).
- Always follow the instructions contained in this manual.

## SAFETY PRECAUTIONS

---

- **Always disconnect the power supply** before installing or making modifications to the devices.
- The fitting and handling of these devices must be carried out by **authorised personnel.**
- The wiring must run at least **40 cm away from any other wiring.**
- On the power supply unit:
  - ⌚ Do not overtighten the screws on the connector.
  - ⌚ Install the power supply unit in a dry and protected place free from the risk of water leaks or sprays.
  - ⌚ Avoid locations that are humid, dusty or near heat sources.
  - ⌚ Ensure that the air vents are free from obstruction so that air can circulate freely.
  - ⌚ To avoid damage, the power supply unit must be firmly secured in place.
  - ⌚ To prevent electric shock, do not remove the cover or handle the wiring connected to the terminals.












## CHARACTERISTICS

---

- Audio and video door entry system with simplified wiring (non-polarised 2-wire bus).
- Up to 4 access panels (D2L-gb2 or DP-GB2A distributor required for more than one access panel) per installation. D2L-GB2: up to 2 door panels & DP-GB2A: up to 4 door panels. **Do not mix D2L-GB2 & DP-GB2A in the same installation.**
- Up to 23 monitors and apartments with a VESTA2 SE monitors per installation. (Mixed installations with telephones max. 23 elem.).
- Up to 18 monitors and apartments with a Vesta7 monitor per installation. (Mixed installations with telephones max. 18 elem.).
- Up to 18 monitors and apartments with a Pentha monitor per installation. (Mixed installations with telephones max. 18 elem.).
- Up to 32 telephones and apartments with T562 telephone per installation (audio door entry system installation 'audio only').
- Up to 32 Nhea hands-free audio terminals and apartments per installation (audio door entry system installation 'audio only').
- Up to 4 monitors/telephones per apartment. **Max. 1 monitor/telephone for each output (to monitor) of the distributor.**
- Up to 4 monitors in parallel (installation without distributors) per installation.
- Up to 128 telephones (T562/TNhea) and apartments per installation (EL642 GB2A set to mode 2 'audio only', see page 26).
- Up to 1 telephone per apartment (EL642 GB2A set to operating mode 2 'audio only', see page 26).
- EL632 GB2B P/T with pan and tilt mechanism to adjust the telecamera position.
- EL642 GB2A: Connection of an external camera "CCTV" for the door panel (required DP-CAM-GB2 module).
- Different operating modes configurable in the EL632 GB2B P/T and EL642 GB2A sound modules.
- Call confirmation tone.
- Visual signals on the door panel for people with impaired hearing (indicating call process, communication, door open and channel busy).
- Audible signals on the door panel for people with impaired vision (indicating call in progress, missed call, door open, call finished and engaged).
- Door opening timeable at 1 or 5 seconds.
- 2 outputs for independently activated lock releases.
- Relay 1 output to activate the DC or AC lock releases actuated by relay.
- Relay 2 output to activate the DC or AC lock releases actuated by relay.
- Input for external door opening button (Relay 1 output).
- Input for external door opening button (Relay 2 output).
- Maximum distance between the power supply and the furthest door panel: 80m with a cross-section of 1mm<sup>2</sup>.
- Maximum distance between the power supply and the last distributor: 80m with a cross-section of 1mm<sup>2</sup>.
- Max. distance between the power supply & last telephone (audio only installation w/o distributors): 80 m with a cross-section of 1mm<sup>2</sup>.
- Maximum distance between the distributor and monitor/telephone (mixed installation): 40m with a cross-section of 1mm<sup>2</sup>.

## SYSTEM OPERATION

---

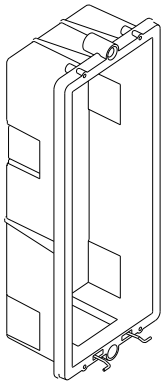
- To make a call, the visitor must press the button of the apartment; an audible sound indicates that the call is being made and LED  will turn on. If vocal synthesis is enabled, a 'Call is in progress' message appears indicating that a call is being made. At this moment the apartment's monitor receives the call. If another apartment is called by mistake, press the button for the correct apartment and the first call will be cancelled.
- In systems with several access doors, the other door panel(s) will be automatically disconnected. If another visitor tries to call, a number of telephone tones will be heard to indicate that the system is busy and LED  will illuminate. If vocal synthesis is activated, the message "System is busy, try later" will be indicated on the door panel.
- The call lasts for 40 seconds and, when received, the image appears on the master monitor without the visitor knowing. To view the image on a slave monitor, this function needs to have been activated on the monitor. If the call is not answered within 40 seconds, LED  will turn off and the channel will be freed.
- To establish communication, press button  on any monitor (or pick up the handset of any telephone) in the apartment and LED  on the door panel will illuminate. If the door panel has an EL3002 GB2/H module with icon  displayed on the front, the LED of the EL3002 GB2/H module will illuminate. Make sure that the hearing aid is 15-25 cm away from the door panel to ensure maximum audio quality during communication with the apartment.
- Communication will last for one and a half minutes or until button  on the monitor is pressed again (or the handset of the telephone is replaced). When communication has finished, LEDs  and  will turn off and the channel will be freed. If vocal synthesis is activated, a 'Communication is finished' message will indicate that the call is over.
- To open the door, press button  during the call or communication processes: one press will activate the lock release for five seconds and LED  will also turn on for five seconds. If vocal synthesis is enabled, a 'Door Opened!' message will be indicated on the door panel.
- For a description of the functioning and setup of the monitor/telephone, see the monitor's user manual.

**DESCRIPTION OF THE NEXA MODULAR DOOR PANEL**

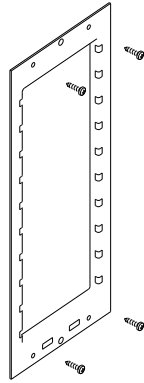
**Description of the door panel:**

Door panel component assembly drawing.

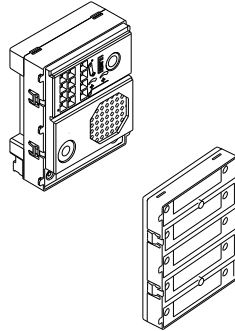
Embedding boxes



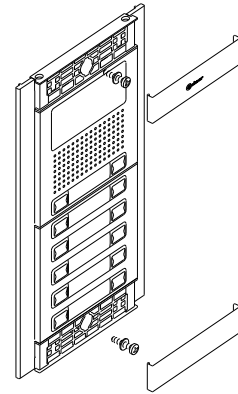
Frame modules



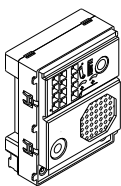
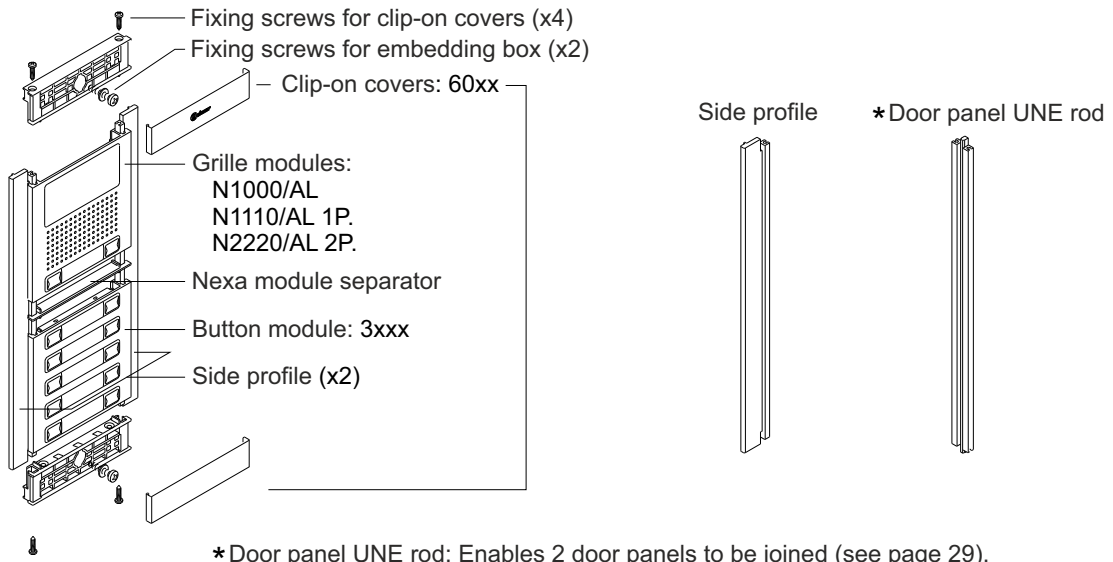
Electronic modules



Aluminium panel

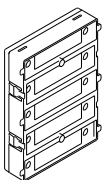


Description of the door panel.



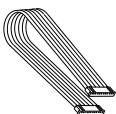
Sound module

EL632/GB2B P/T, in video door entry systems with colour television camera.  
 EL642/GB2A , in audio door entry systems.



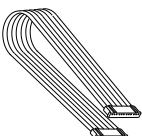
Button module

EL610D, for 5 individual or 10 double buttons.



Short connection cable supplied with the EL610A module (length 16 cm).

For connecting the buttons between the sound module and the EL610D button module and between EL610D button modules.



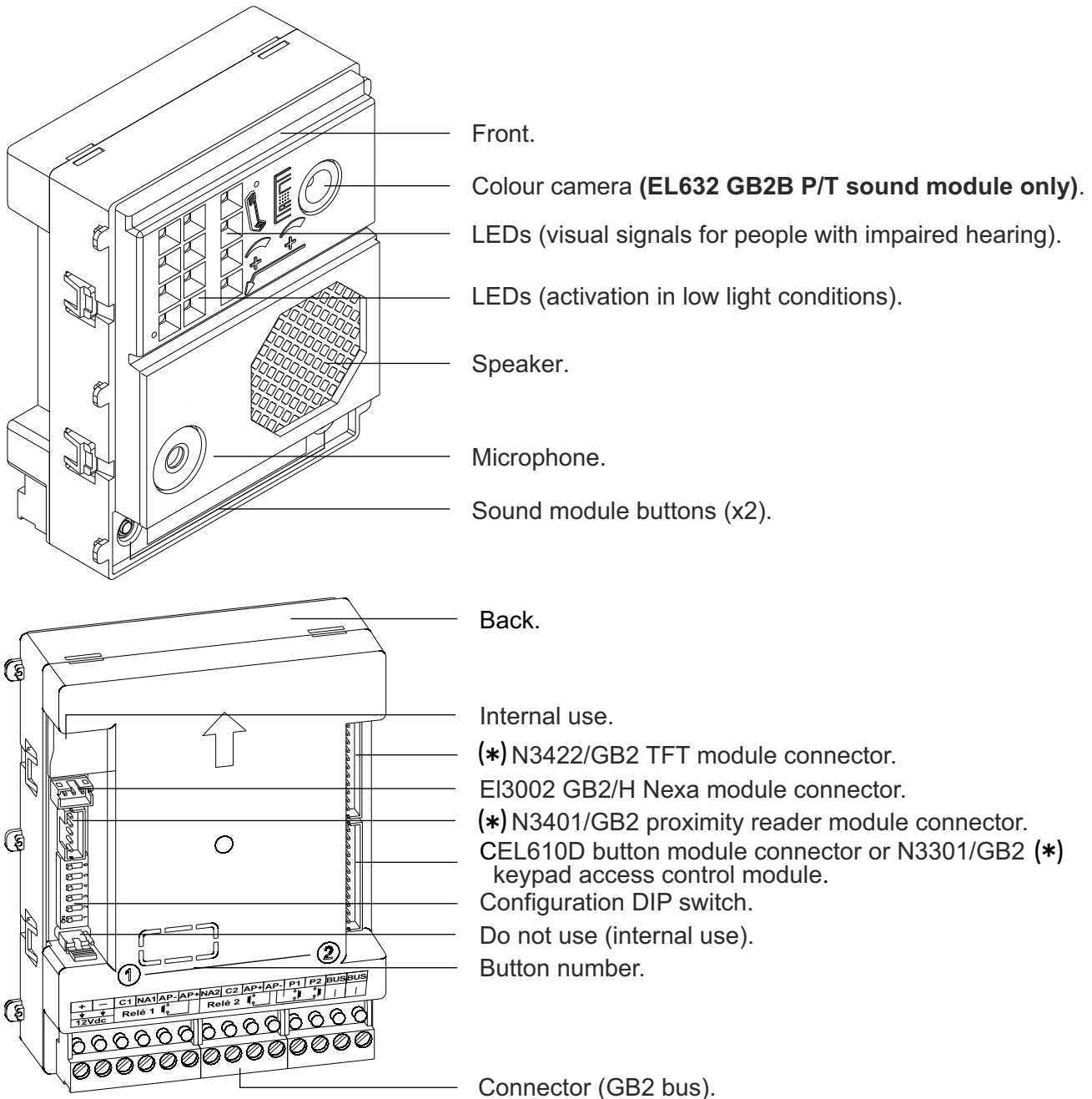
RAP-610D connection cable (length 27 cm).

For connecting the buttons between the sound module and the EL610D button module and between EL610D button modules.

This hose is required when the distance between modules to be connected is greater due to their distribution in the door panels.

## DESCRIPTION OF THE EL632 GB2B P/T - EL642 GB2A SOUND MODULE

### Description of the EL632 GB2B P/T - EL642 GB2A sound module:



**(\*) For more information about the coded panel, see the Quick Guide enclosed with the N3301 GB2/N3401 GB2 module.**

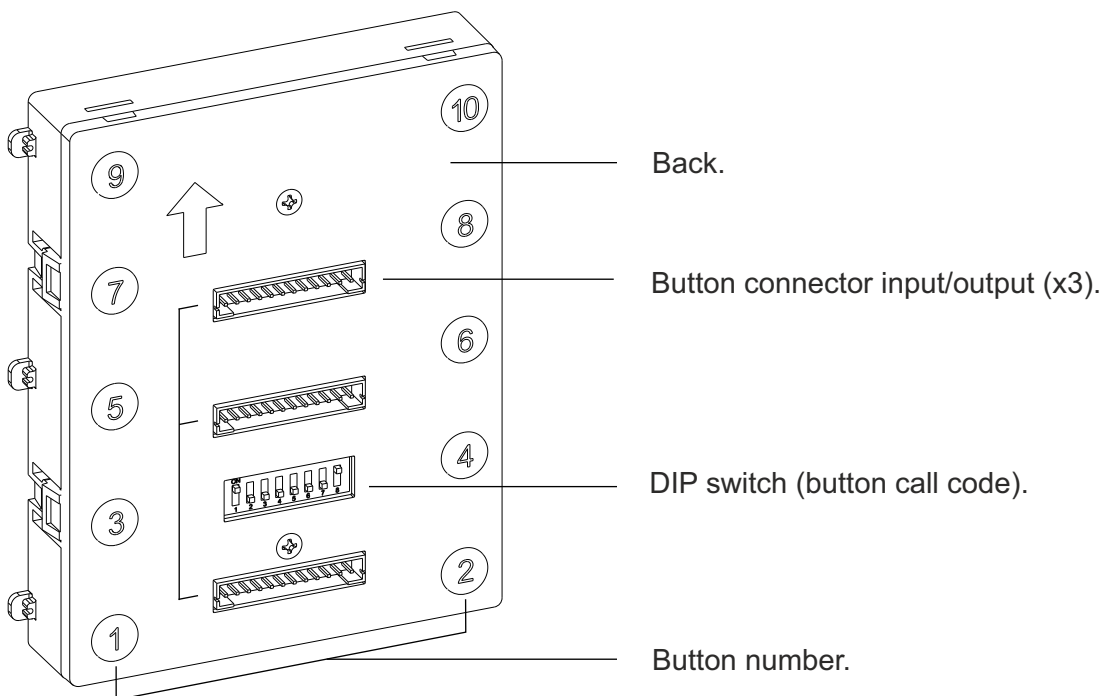
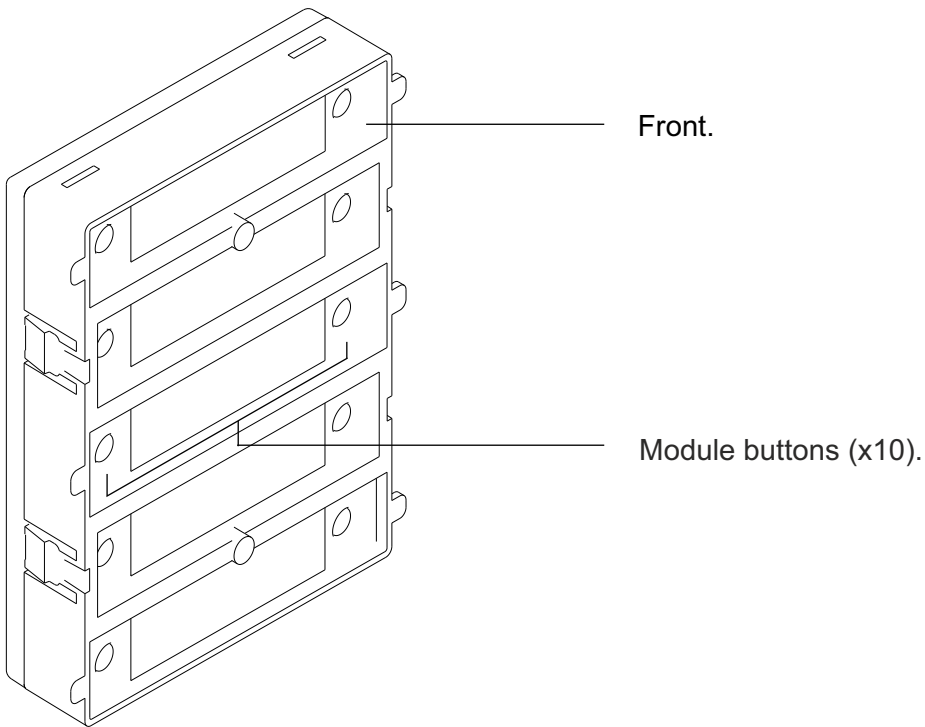
#### Connection terminals:

- + , - : Positive, negative (12Vdc output for Golmar DC electric lock).
- C1 : Contact "C" for electric lock (Relay 1).
- NA1 : Contact "NO" for electric lock (Relay 1).
- AP -, AP+ : Input for external door opening button (Relay 1).
- NA2 : Contact "NO" for electric lock (Relay 2).
- C2 : Contact "C" for electric lock (Relay 2).
- AP+, AP- : Input for external door opening button (Relay 2).
- P1 : Input for external call button (button 1).
- P2 : Input for external call button (button 2).
- BUS : Connection BUS (non-polarised).
- BUS : Connection BUS (non-polarised).

**Note:** See wiring diagrams for connections (pages 32-43).

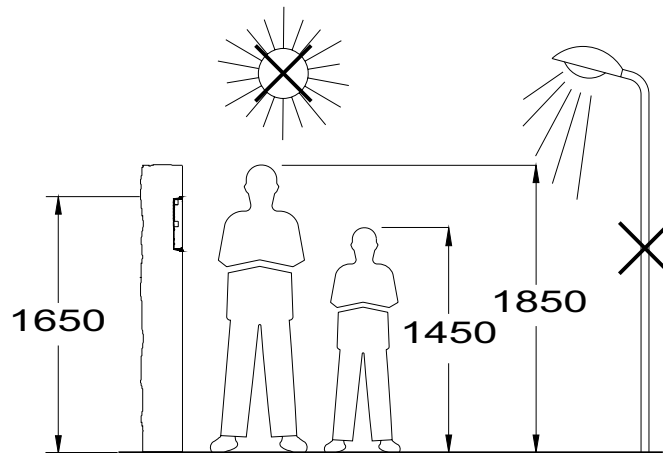
**DESCRIPTION OF THE EL610D BUTTON MODULE**

***Description of the EL610D button module:***



## INSTALLATION OF THE DOOR PANEL

### Positioning the embedding box:

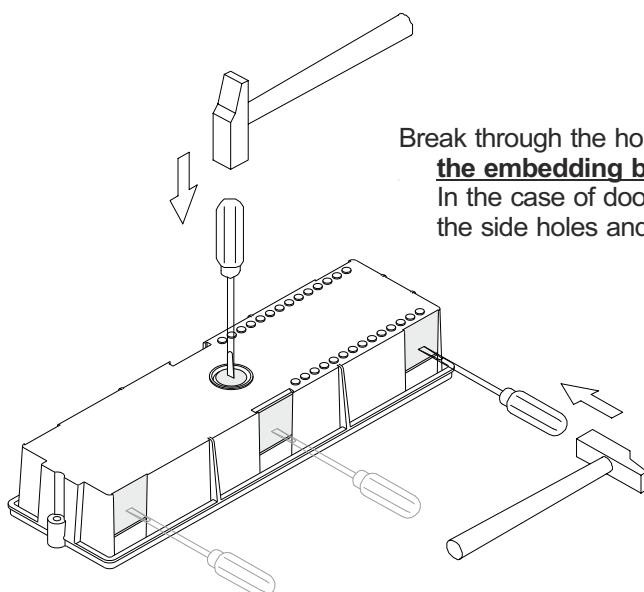


Make a hole in the wall to position the top of the door panel at a height of 1.65m.  
Hole dimensions depend on the type of door panel.

Modules Model	1 NCEV90CS	2 NCEV90C	3 CEV90
W (width)	99	99	99 mm.
H (height)	132,5	238	328 mm.
D (depth)	56,5	56	56 mm.

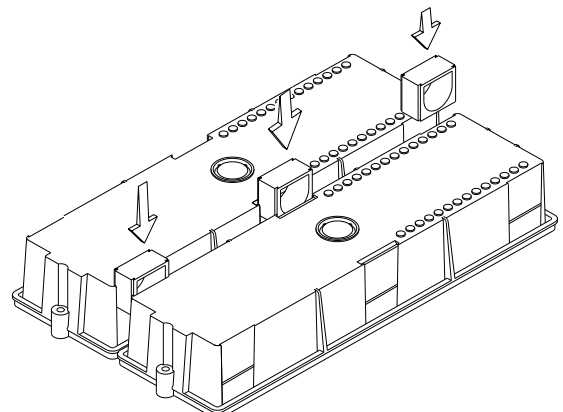
The door panel has been designed to be used under most environmental conditions. It is however advisable to take extra precautions to prolong its service life (shields, covered areas, etc.). To obtain optimum video door entry system image quality, avoid direct contact from light sources (sunshine, street lights, etc.)

### Preparing the cable entry:



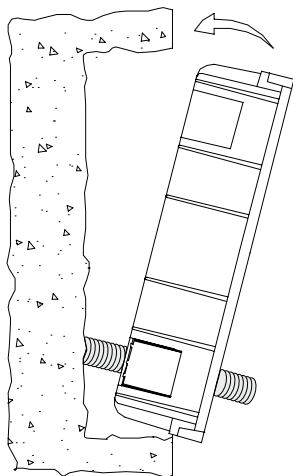
Break through the hole to allow **entry of cables through the bottom part of the embedding box.**

In the case of door panels with more than one embedding box, break through the side holes and join the embedding boxes using cable grommets.



## INSTALLATION OF THE DOOR PANEL

### Fitting the embedding box:



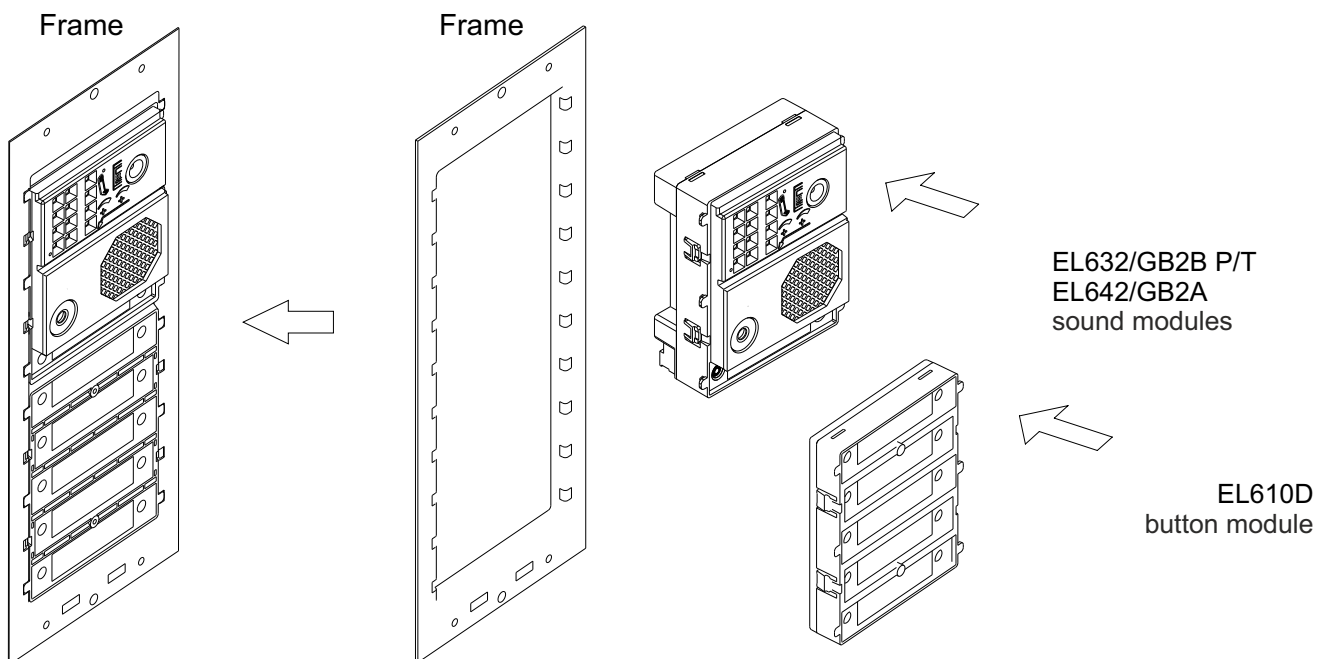
Pass the cable through the hole made in the embedding box. Embed the box and ensure that it is level and flush. Once the embedding box is positioned, remove the protective stickers from the door panel's fixing holes.

### Mounting the electronic modules:

Insert the sound module into the top of the frame module.

Line up the clips on the sound module with the respective housings on the frame module and then press gently until correctly positioned.

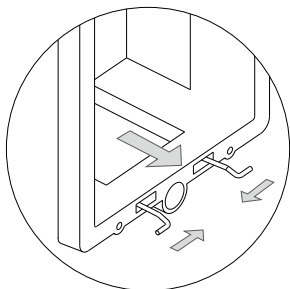
If there is a button module, repeat the above process, positioning it below the sound module, as shown in the drawing.





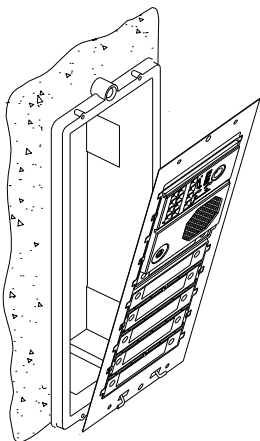
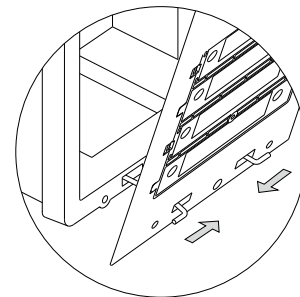
**INSTALLATION OF THE DOOR PANEL**

**Fastening the frame to the embedding box:**



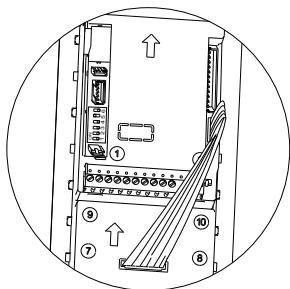
Insert the spring hinge which attaches to the product in the embedding box, as shown in the drawing.

To fasten the frame to the embedding box, insert the spring hinge into the housings provided for this purpose in the frame, as shown in the drawing.



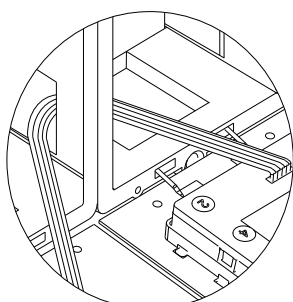
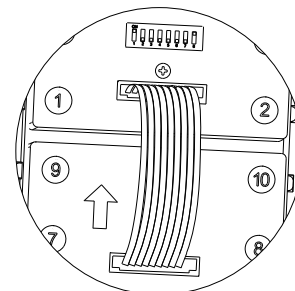
The frame can now be tilted horizontally to enable sound module and button module connection and setting.

**Connecting the buttons to the short connection cable:**



Insert one end of the short connection cable supplied with the EL610D product into the sound module connector and the other end into the connector situated at the top of the EL610D button module, as shown in the drawing.

Between EL610D button modules in the same embedding box, insert the short connection cable from the lower connector of the first button module into the upper connector of the second button module, as shown in the drawing.



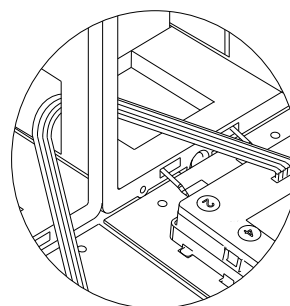
Between EL610D button modules in different embedding boxes, insert one end of the short connection cable into the lower connector of the final EL610D module in the first embedding box and the other end into the middle connector of the last EL610D button module situated at the bottom of the second embedding box, as shown in the drawing.

# NEXA MODULAR GB2 AUDIO AND VIDEO DOOR ENTRY SYSTEM - BUILDING 10

## INSTALLATION OF THE DOOR PANEL

### Connecting the buttons to the RAP-610D short connection cable:

Use the RAP-610D connection cable to connect the buttons between the sound module and the EL610D button module and between EL610D button modules when the distance between modules to be connected is greater due to the composition of the door panels.

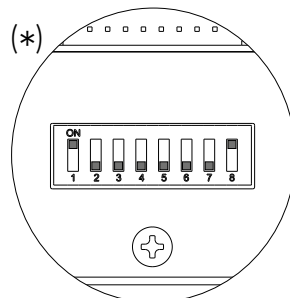


### Configuring the button code (operating mode 1):

The EL610D button module needs to be configured in order to assign a call code to the buttons. Carry out this configuration with the DIP switch located at the back of the module.

Depending on the configuration option selected, the buttons will be assigned with a certain call code.

To configure the call code on the monitors. It is worth noting the call code of each button, as shown in the table below.



**IMPORTANT:** Sound module factory set to 'operating mode 1', (see page 26)

- Up to 23 monitors (Vesta2 SE)/apartments per installation (mixed installations with telephones up to 23 elements).
- Up to 18 monitors (Vesta7)/apartments per installation (mixed installations with telephones up to 18 elements).
- Up to 32 telephones (T562/Nhea)/apartments per installation (audio door entry system installation audio only).

### EL610D button module

#### Double button module codes

	DIP switch								Button code										(1)	
	Dip1	Dip2	Dip3	Dip4	Dip5	Dip6	Dip7	Dip8	P1	P2	P3	P4	P5	P6	P7	P8	P9	P10		
Module configuration option	1	On	Off	Off	Off	Off	Off	Off	On	11	2	3	4	5	6	7	8	9	10	(*)
	2	Off	On	Off	Off	Off	Off	Off	On	21	12	13	14	15	16	17	18	19	20	
	3	Off	Off	On	Off	Off	Off	Off	On	31	22	23	24	25	26	27	28	29	30	

#### Single button module codes

	Dip1	Dip2	Dip3	Dip4	Dip5	Dip6	Dip7	Dip8	P1	P3	P5	P7	P9	(1)	
Module configuration option	1	On	Off	Off	Off	Off	Off	Off	On	1	2	3	4	5	(*)
	2	Off	On	Off	Off	Off	Off	Off	On	6	7	8	9	10	
	3	Off	Off	On	Off	Off	Off	Off	On	11	12	13	14	15	
	4	Off	Off	Off	On	Off	Off	Off	On	16	17	18	19	20	
	5	Off	Off	Off	Off	On	Off	Off	On	21	22	23	24	25	
	6	Off	Off	Off	Off	Off	On	Off	On	26	27	28	29	30	
	7	Off	Off	Off	Off	Off	Off	On	On	31	-	-	-	-	

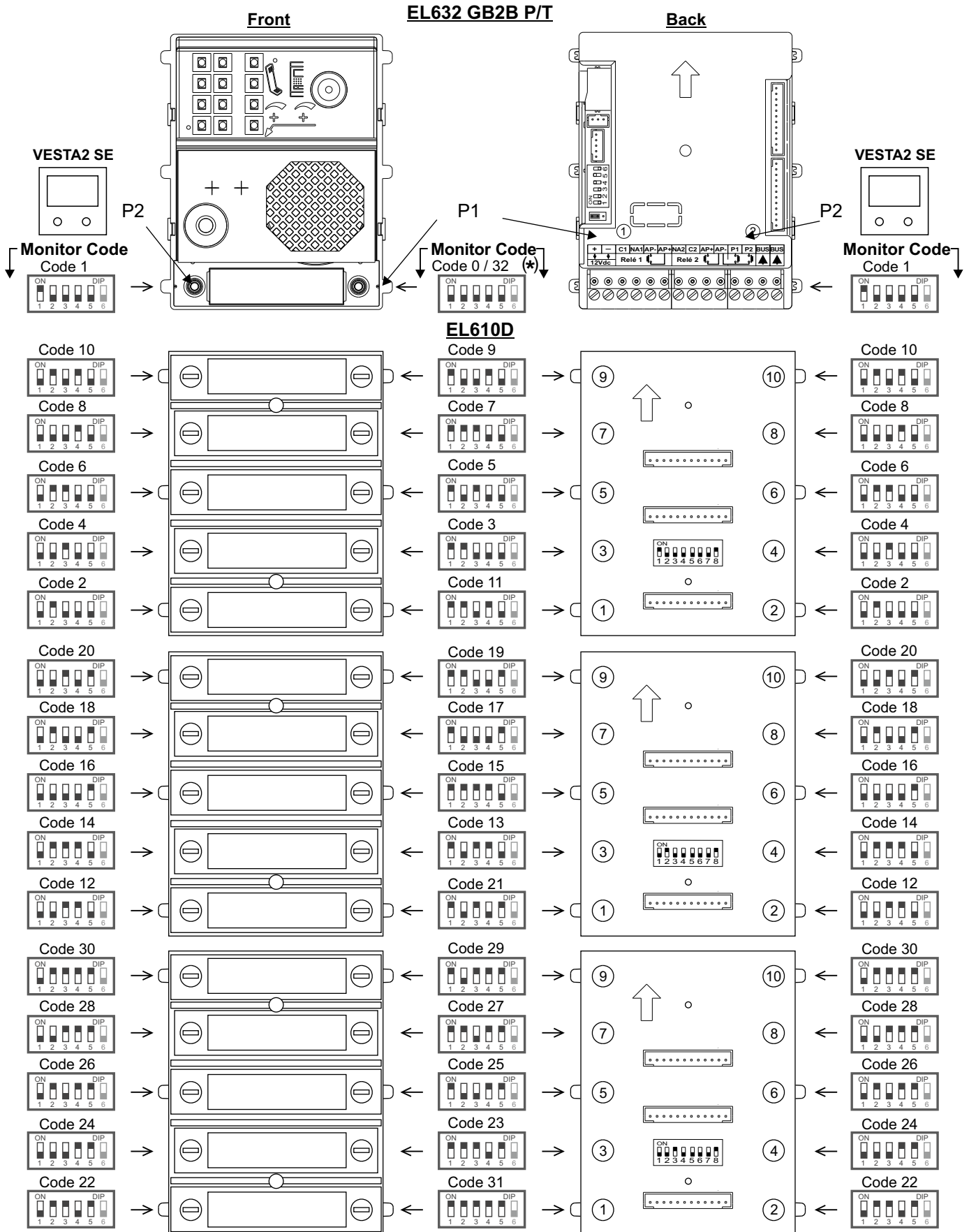
(1) P1- P10: Button 1 - button 10

**Important:** Select a different configuration option for each EL610D module.

(\*) **Factory setting.**

INSTALLATION OF THE DOOR PANEL

Configuring double button module codes:



(\*) -In door panel systems with call pushbuttons, the first address on the monitor is 'Code 0'.  
 -In coded panel systems (N3301/GB2), 'Code 0' is 'Code 32', which means that when a call is made to a monitor with 'Code 0' (DIP 1 to DIP 5 set to OFF), it needs to be entered **3 2** on the N3301/GB2 numeric keypad.  
 -In the software (Address Manager GB2), 'Code 0' is also shown as 'Code 32'.





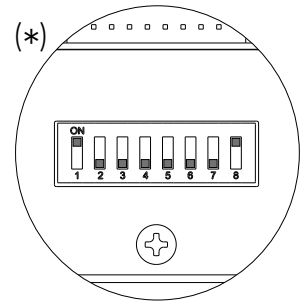
**INSTALLATION OF THE DOOR PANEL**

**Configuring the button code (audio only installation up to 128 telephones/apartments):**

The EL610D button module needs to be configured in order to assign a call code to the buttons. Carry out this configuration with the DIP switch located at the back of the module.

Depending on the configuration option selected, the buttons will be assigned with a certain call code.

To configure the call code on the monitors. It is worth noting the call code of each button, as shown in the table below.



**IMPORTANT:** The sound module should be set to 'operating mode 2' (audio only up to 128 telephones/apartments), see page 26.

**EL610D button module**

**Double button module codes**

		DIP switch								Button code									
		Dip1	Dip2	Dip3	Dip4	Dip5	Dip6	Dip7	Dip8	P1	P2	P3	P4	P5	P6	P7	P8	P9	P10
Module configuration option	1	On	Off	Off	Off	Off	Off	Off	On	11	2	3	4	5	6	7	8	9	10
	2	Off	On	Off	Off	Off	Off	Off	On	21	12	13	14	15	16	17	18	19	20
	3	Off	Off	On	Off	Off	Off	Off	On	31	22	23	24	25	26	27	28	29	30
	4	Off	Off	Off	On	Off	Off	Off	On	41	32	33	34	35	36	37	38	39	40
	5	Off	Off	Off	Off	On	Off	Off	On	51	42	43	44	45	46	47	48	49	50
	6	Off	Off	Off	Off	Off	On	Off	On	61	52	53	54	55	56	57	58	59	60
	7	Off	Off	Off	Off	Off	Off	On	On	71	62	63	64	65	66	67	68	69	70
	8	On	Off	Off	Off	Off	Off	Off	Off	81	72	73	74	75	76	77	78	79	80
	9	Off	On	Off	Off	Off	Off	Off	Off	91	82	83	84	85	86	87	88	89	90
	10	Off	Off	On	Off	Off	Off	Off	Off	101	92	93	94	95	96	97	98	99	100
	11	Off	Off	Off	On	Off	Off	Off	Off	111	102	103	104	105	106	107	108	109	110
	12	Off	Off	Off	Off	On	Off	Off	Off	121	112	113	114	115	116	117	118	119	120
	13	Off	Off	Off	Off	Off	On	Off	Off	-	122	123	124	125	126	127	-	-	-

**(1) P1- P10:** Button 1 - button 10.

**Important:** Select a different configuration option for each EL610D module.

**(\*) Factory setting.**

## INSTALLATION OF THE DOOR PANEL

Continued from previous page.

### EL610D button module

#### Single button module codes

		DIP switch								Button code					(1)
		Dip1	Dip2	Dip3	Dip4	Dip5	Dip6	Dip7	Dip8	P1	P3	P5	P7	P9	
Module configuration option	1	<b>On</b>	Off	Off	Off	Off	Off	Off	<b>On</b>	1	2	3	4	5	(*)
	2	Off	<b>On</b>	Off	Off	Off	Off	Off	<b>On</b>	6	7	8	9	10	
	3	Off	Off	<b>On</b>	Off	Off	Off	Off	<b>On</b>	11	12	13	14	15	
	4	Off	Off	Off	<b>On</b>	Off	Off	Off	<b>On</b>	16	17	18	19	20	
	5	Off	Off	Off	Off	<b>On</b>	Off	Off	<b>On</b>	21	22	23	24	25	
	6	Off	Off	Off	Off	Off	<b>On</b>	Off	<b>On</b>	26	27	28	29	30	
	7	Off	Off	Off	Off	Off	Off	<b>On</b>	<b>On</b>	31	32	33	34	35	
	8	<b>On</b>	Off	Off	Off	Off	Off	Off	Off	36	37	38	39	40	
	9	Off	<b>On</b>	Off	Off	Off	Off	Off	Off	41	42	43	44	45	
	10	Off	Off	<b>On</b>	Off	Off	Off	Off	Off	46	47	48	49	50	
	11	Off	Off	Off	<b>On</b>	Off	Off	Off	Off	51	52	53	54	55	
	12	Off	Off	Off	Off	<b>On</b>	Off	Off	Off	56	57	58	59	60	
	13	Off	Off	Off	Off	Off	<b>On</b>	Off	Off	61	62	63	64	65	
	14	Off	Off	Off	Off	Off	Off	<b>On</b>	Off	66	67	68	69	70	

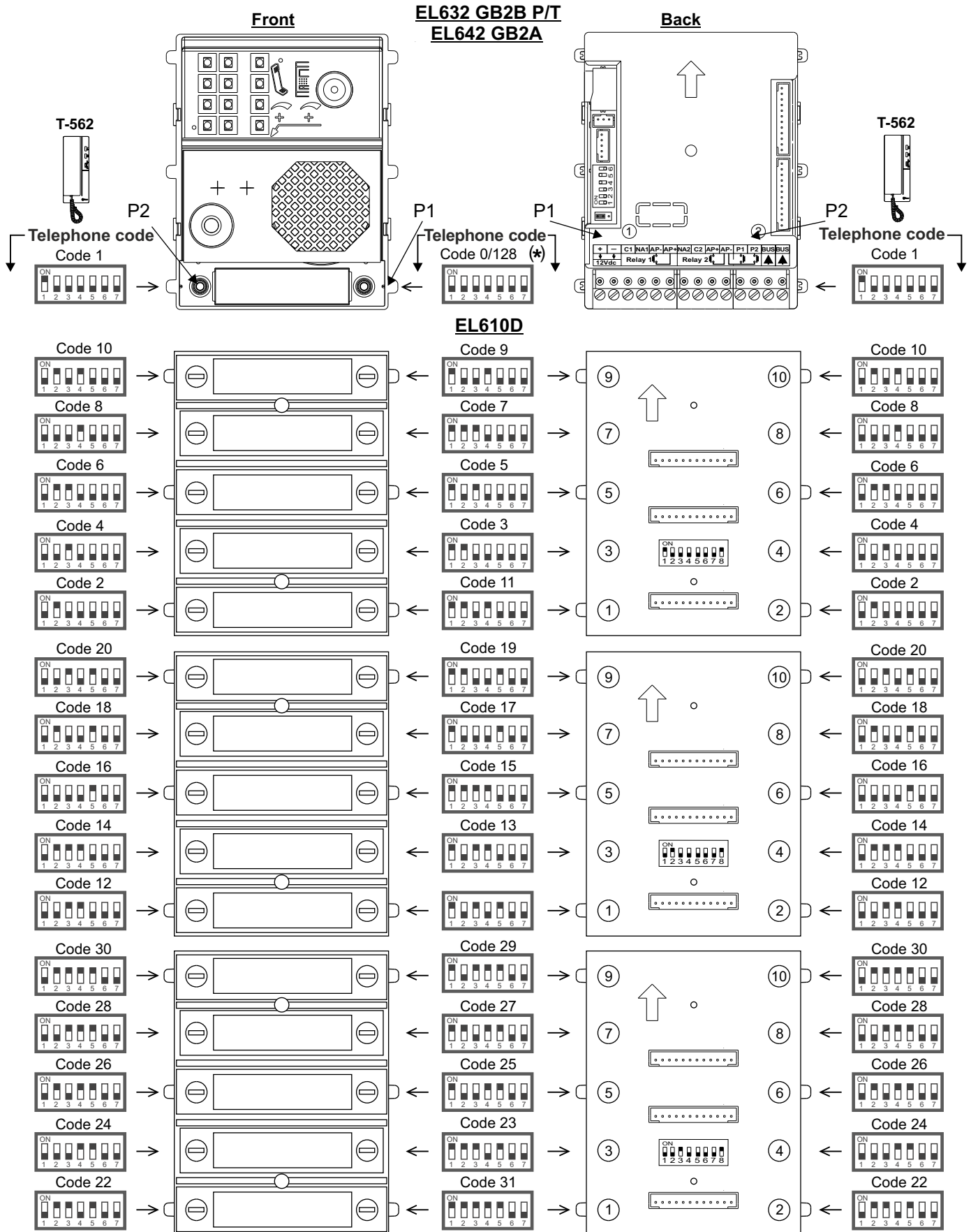
(1) **P1- P10:** Button 1 - button 10.

**Important:** Select a different configuration option for each EL610D module.

(\*) **Factory setting.**

## INSTALLATION OF THE DOOR PANEL

### Configuring double button module codes (up to 128 telephones/apartments):



(\*) -In door panel systems with call pushbuttons, the first address on the telephone is 'Code 0'.

-In coded panel systems (N3301/GB2), 'Code 0' is 'Code 128', which means that when a call is made to a telephone with 'Code 0' (DIP 1 to DIP 7 set to OFF), it needs to be entered **1 2 8** on the N3301/GB2 numeric keypad.

-In the software (Address Manager GB2), 'Code 0' is also shown as 'Code 128'.

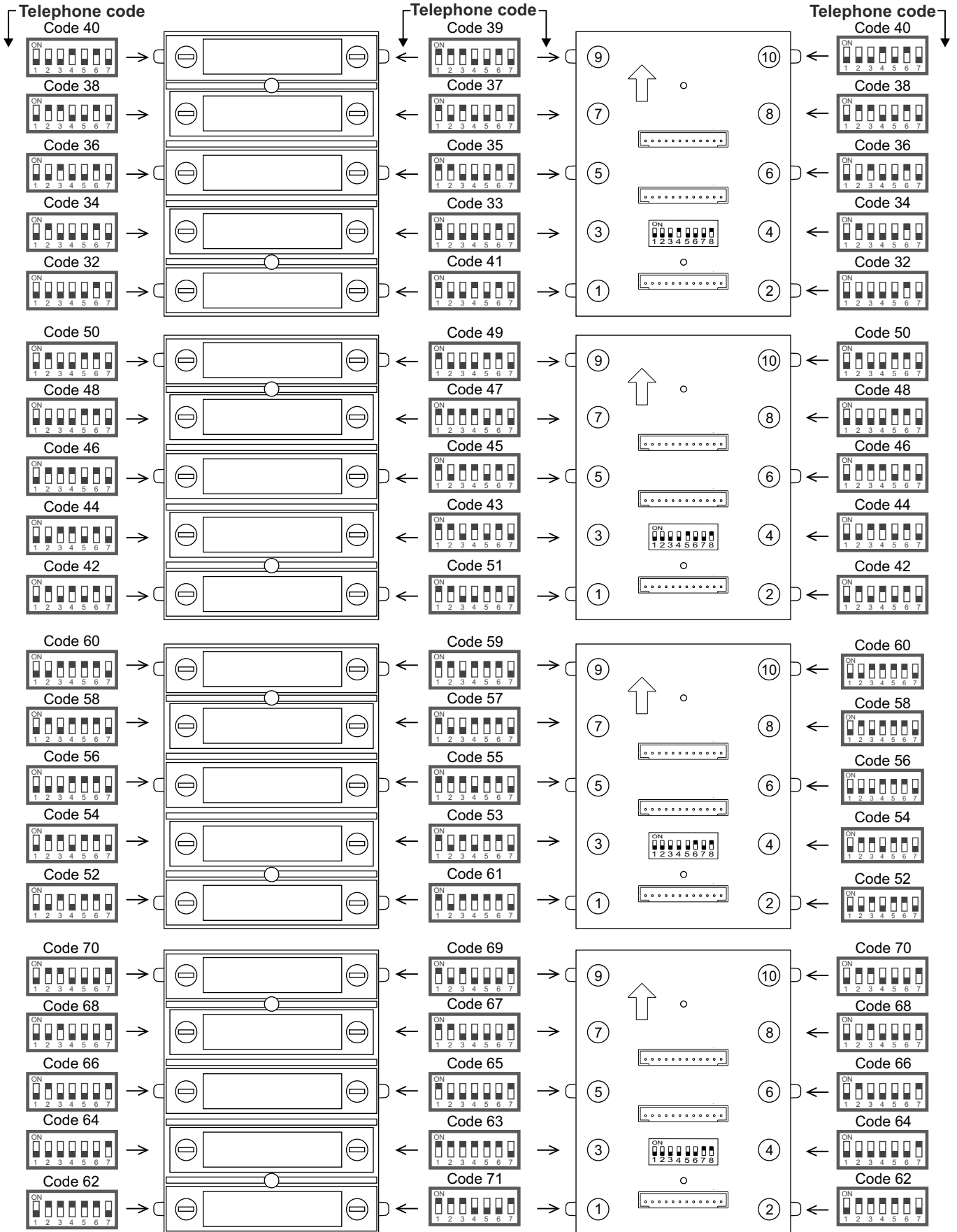
Continued overleaf



## INSTALLATION OF THE DOOR PANEL

Continued from previous page.

### EL610D

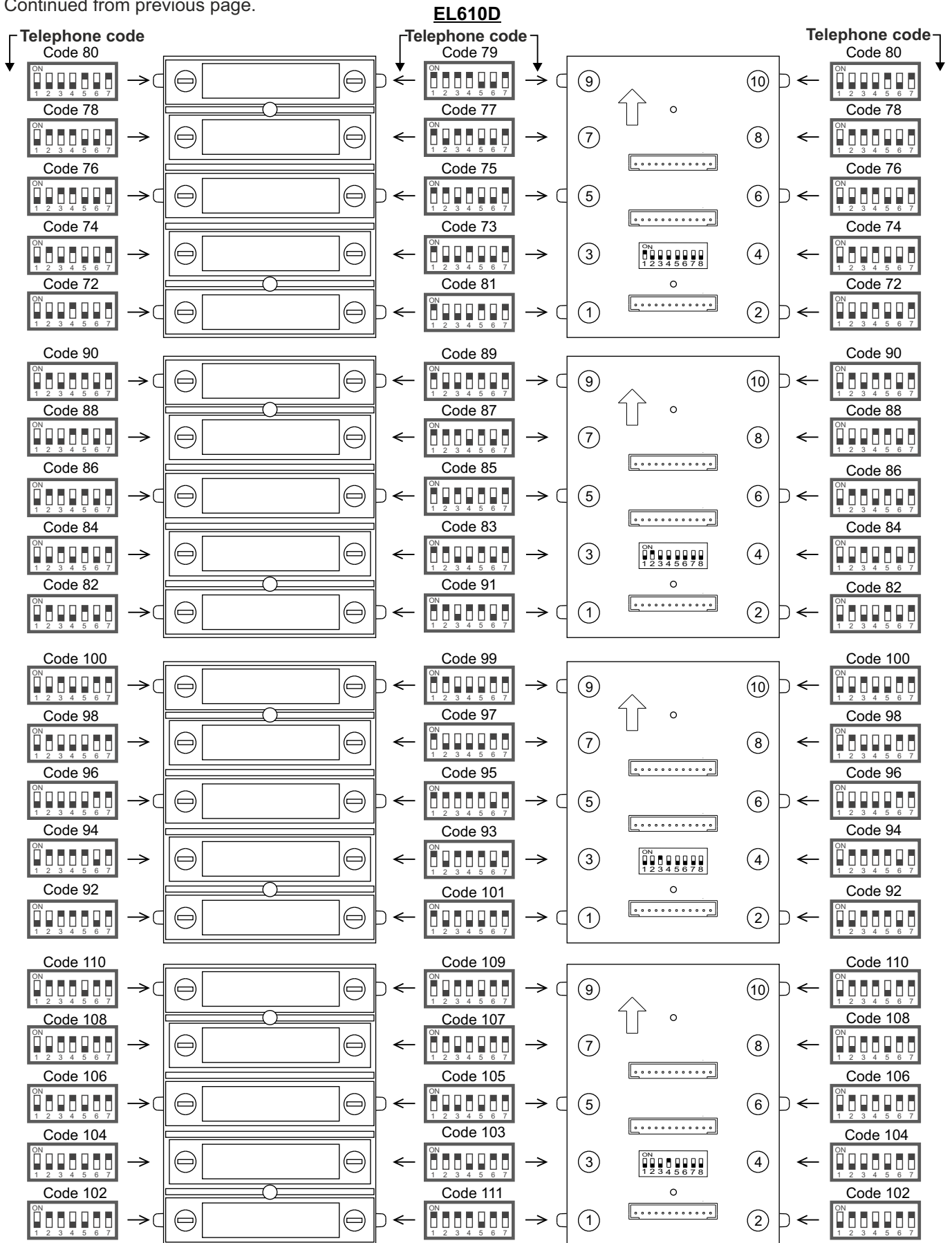


**IMPORTANT:** The T562/TNHEA telephone's DIP 10 should be set to ON.

Continued overleaf

INSTALLATION OF THE DOOR PANEL

Continued from previous page.

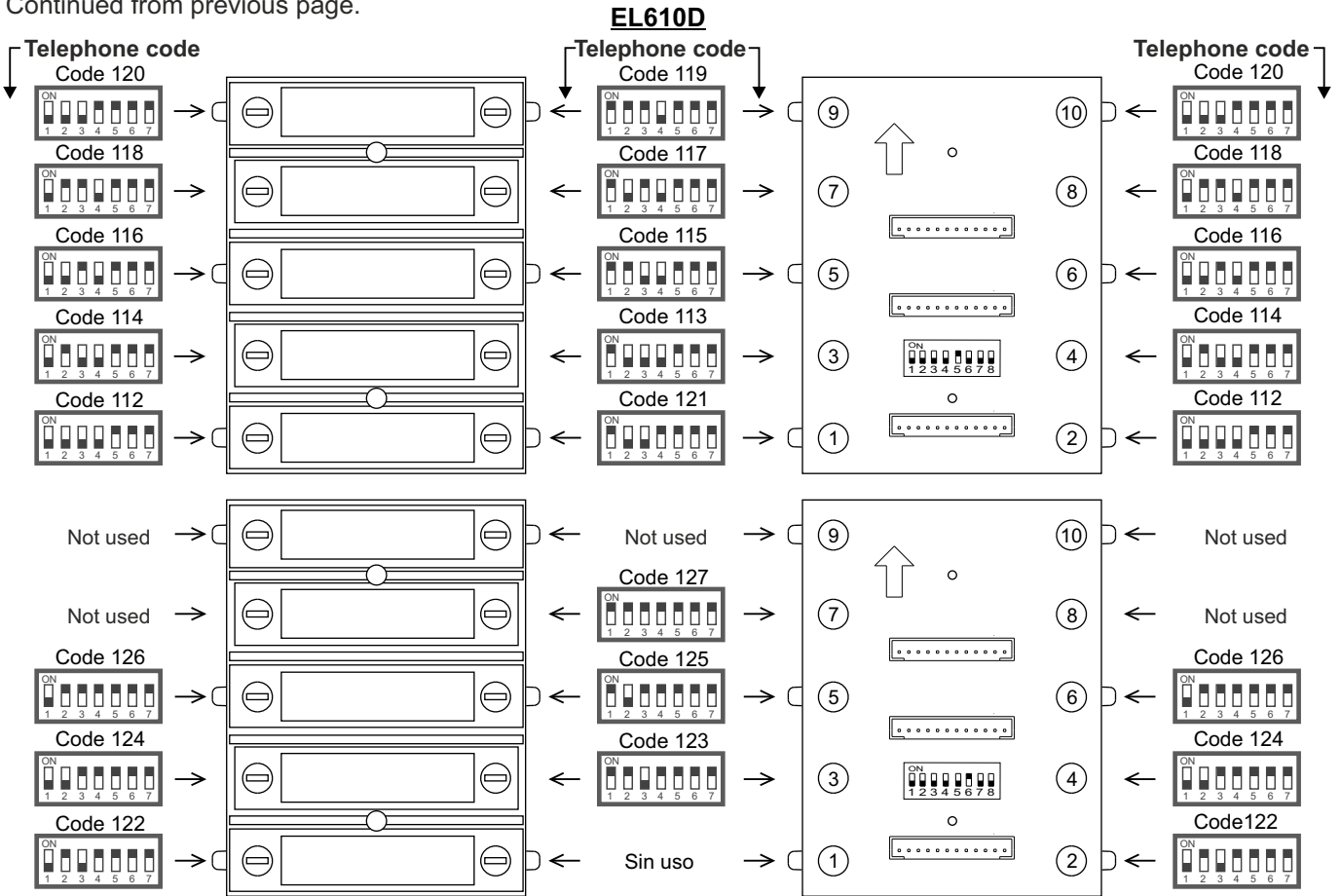


**IMPORTANT:** The T562/TNHEA telephone's DIP 10 should be set to ON.

Continued overleaf

INSTALLATION OF THE DOOR PANEL

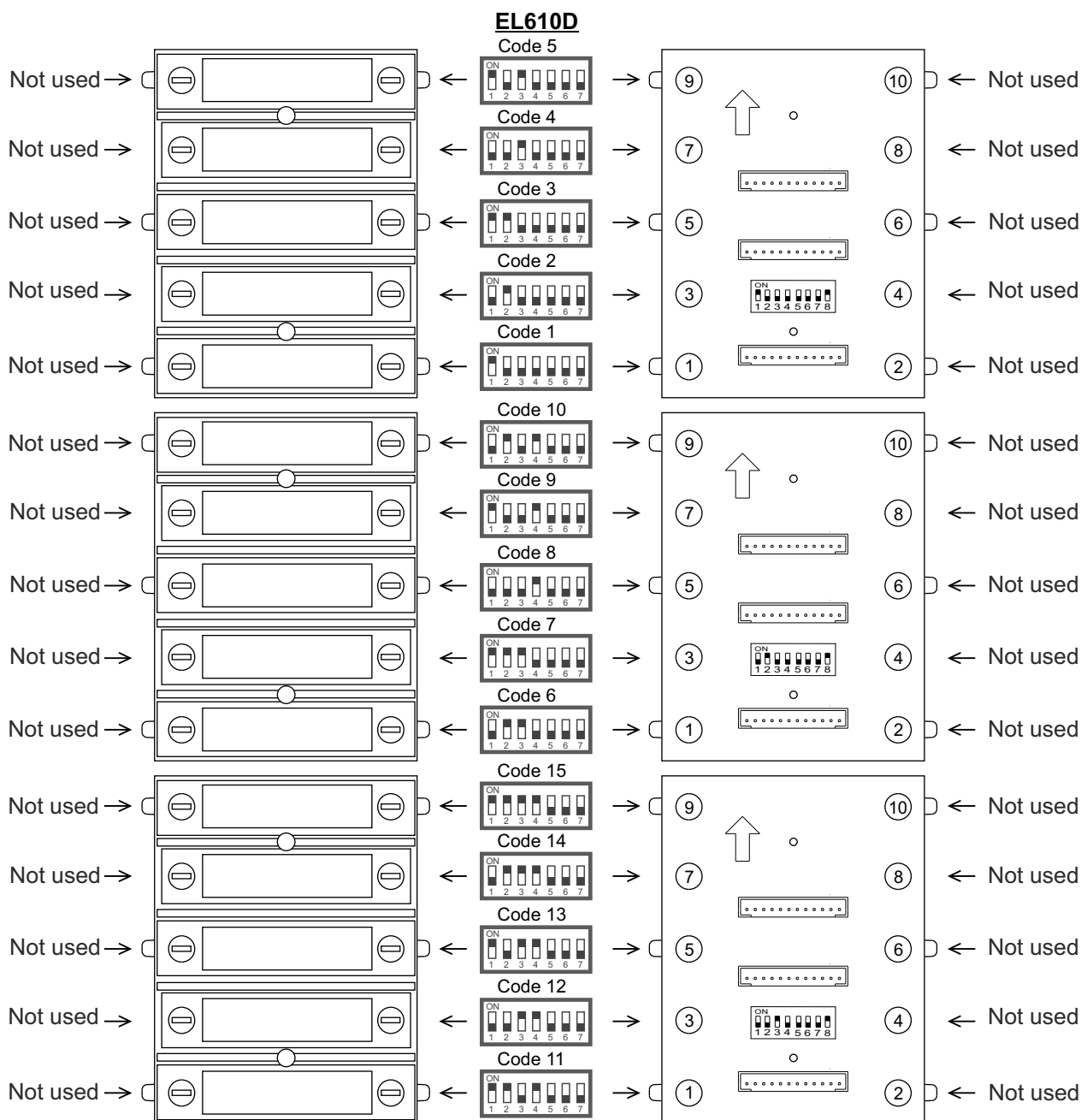
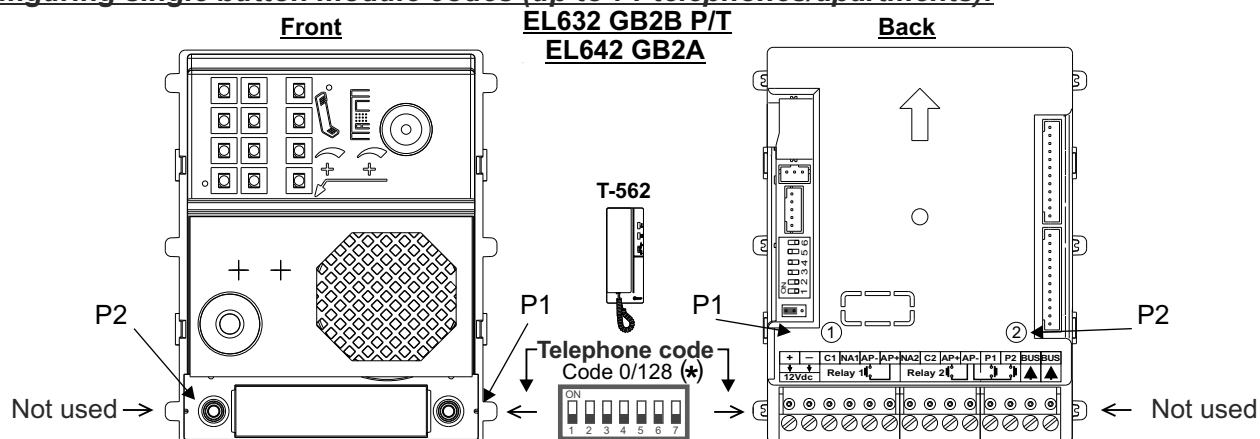
Continued from previous page.



**IMPORTANT:** The T562/TNHEA telephone's DIP 10 should be set to ON.

INSTALLATION OF THE DOOR PANEL

Configuring single button module codes (up to 71 telephones/apartments):



(\*) -In door panel systems with call push buttons, the first address on the telephone is 'Code 0'.

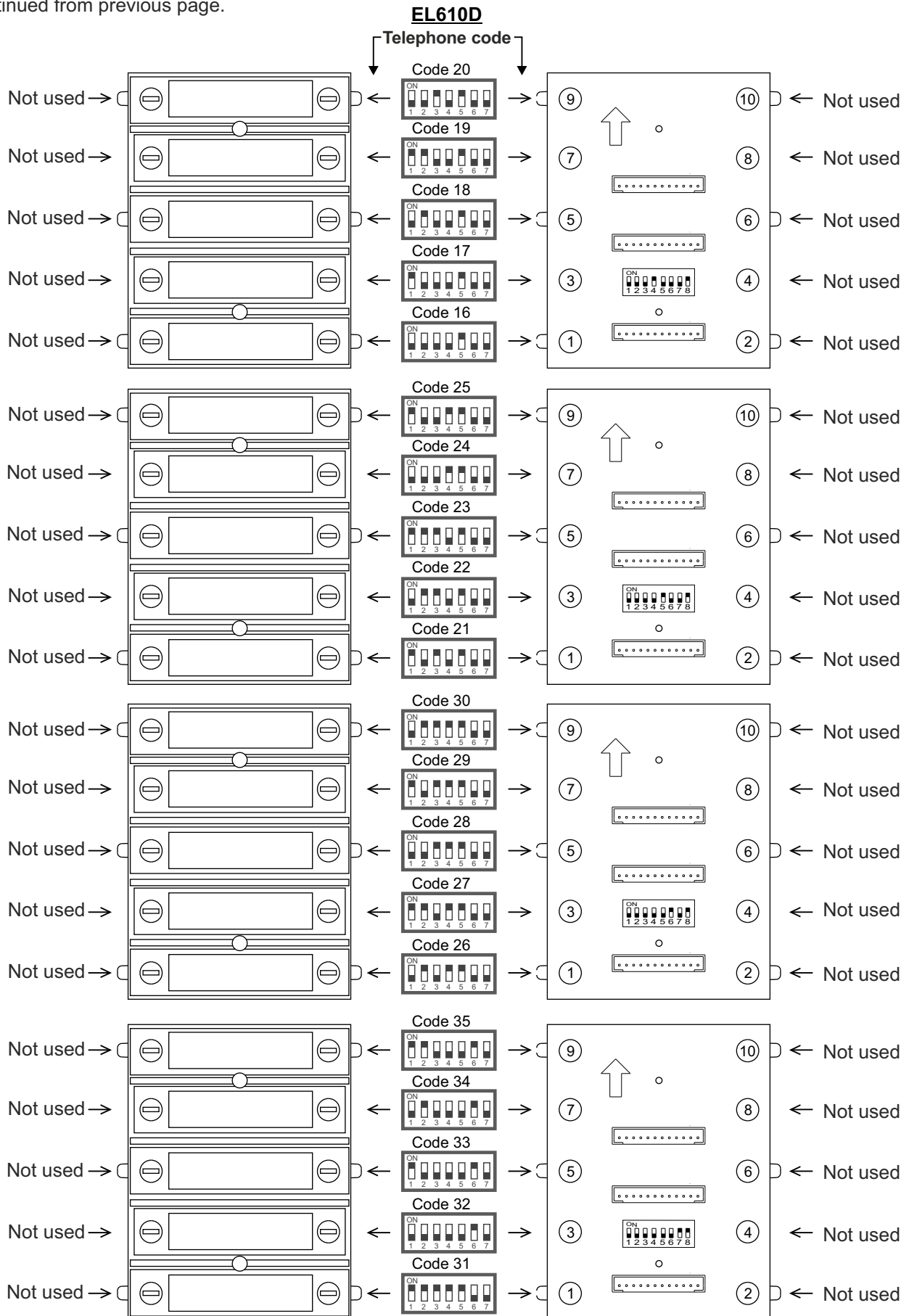
-In coded panel systems (N3301/GB2), 'Code 0' is 'Code 128', which means that when a call is made to a telephone with 'Code 0' (DIP 1 to DIP 7 set to OFF), it needs to be entered (1)(2)(8) on the N3301/GB2 numeric keypad.

-In the software (Address Manager GB2), 'Code 0' is also shown as 'Code 128'.

Continued overleaf

INSTALLATION OF THE DOOR PANEL

Continued from previous page.

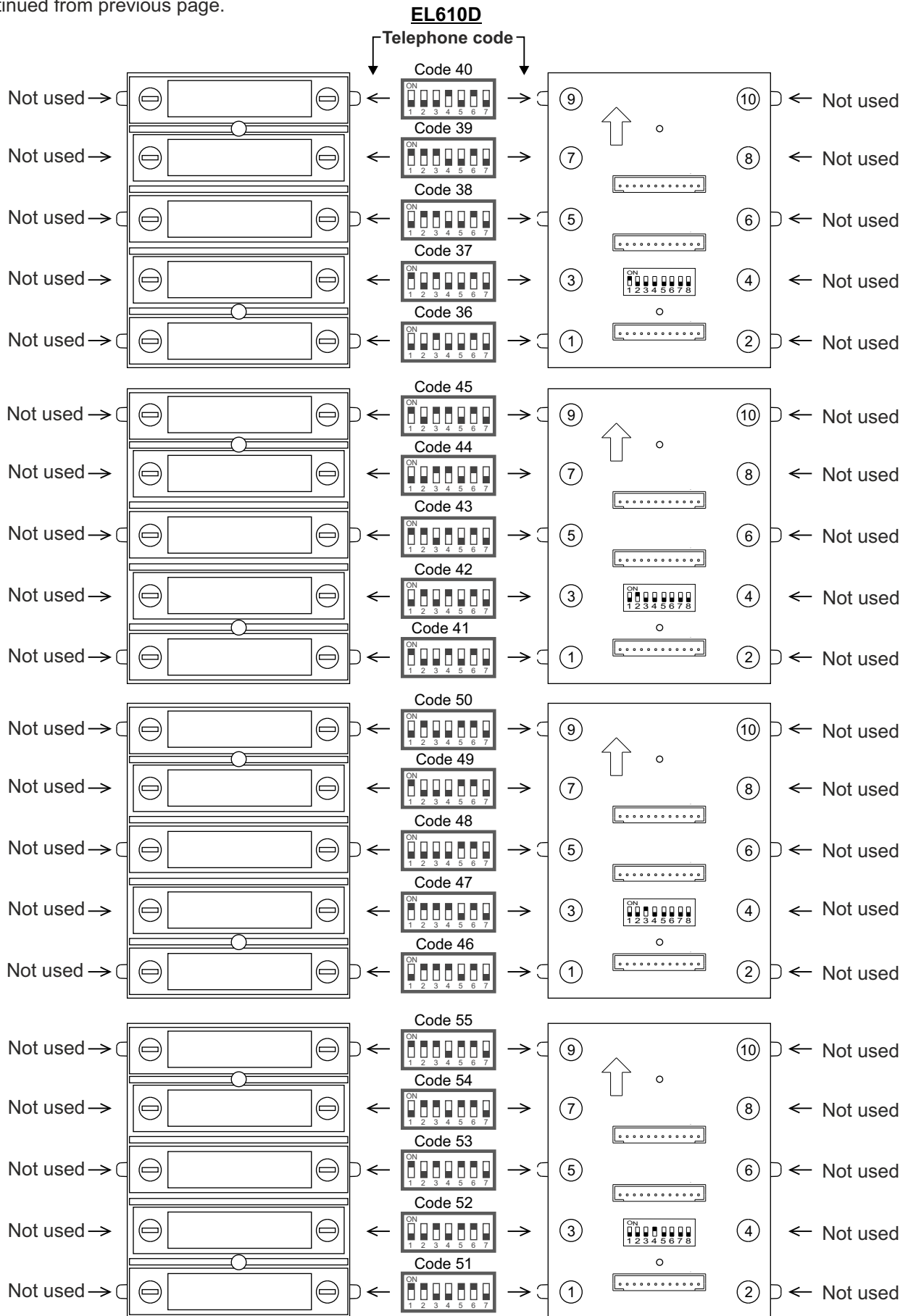


**IMPORTANT:** The T562/TNHEA telephone's DIP 10 should be set to ON.

Continued overleaf

INSTALLATION OF THE DOOR PANEL

Continued from previous page.

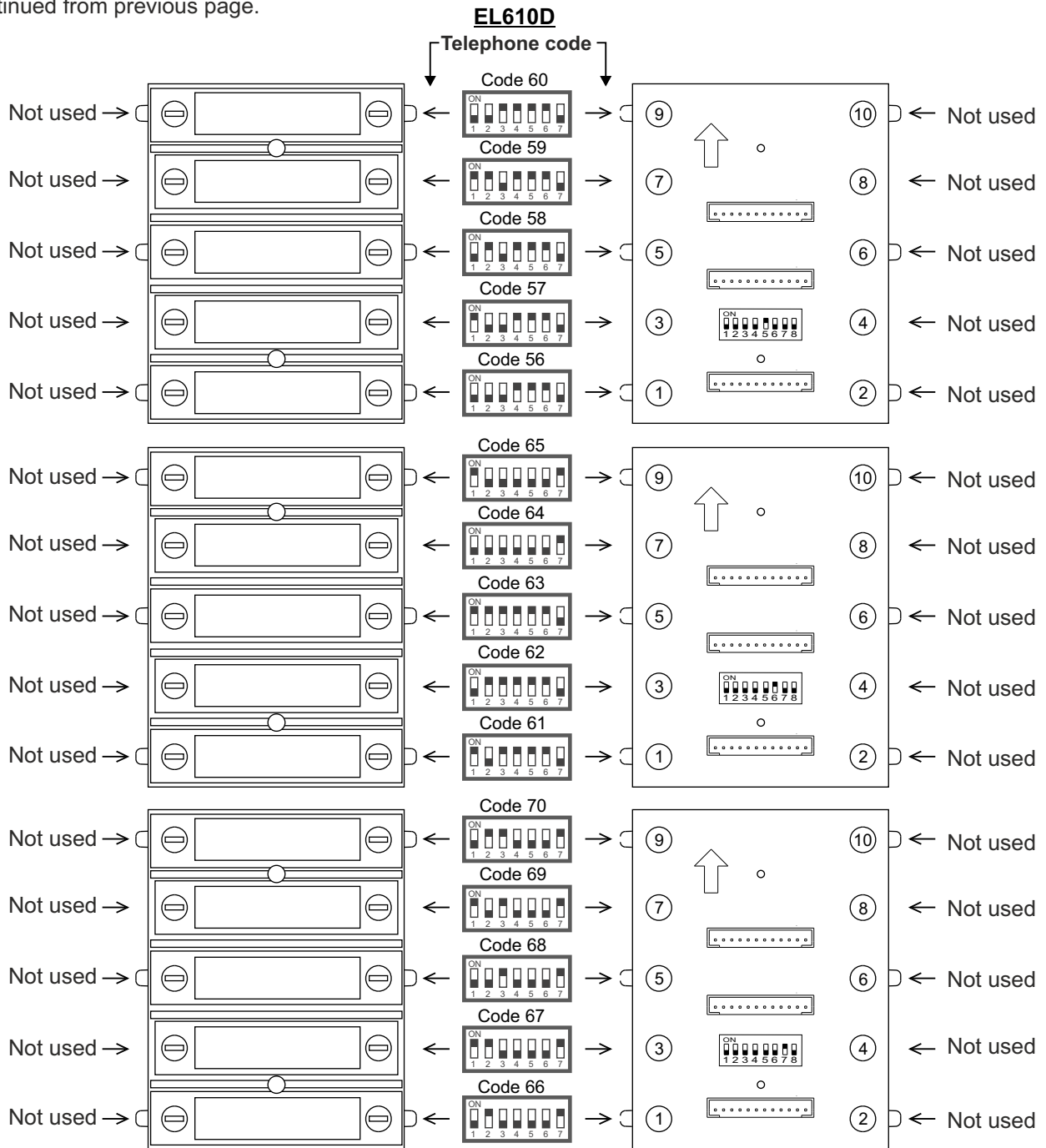


**IMPORTANT:** The T562/TNHEA telephone's DIP 10 should be set to ON.

Continued overleaf

INSTALLATION OF THE DOOR PANEL

Continued from previous page.

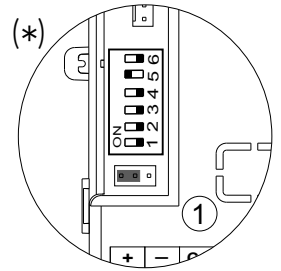


**IMPORTANT:** The T562/TNHEA telephone's DIP 10 should be set to ON.

## INSTALLATION OF THE DOOR PANEL

### Description of the sound module DIP switch:

The DIP switch is located on the left side of the back of the module.

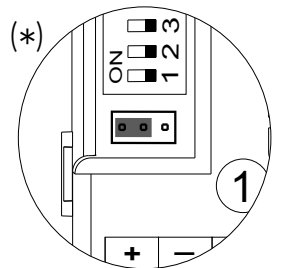


- (\*) Door panel address:  
DIP switches: 1 and 2 OFF (address 1), 1 ON and 2 OFF (address 2), 1 OFF and 2 ON (address 3), 1 and 2 ON (address 4).
- (\*) Leave in the OFF position for door panels with double button and set to ON for door panels with single button.
- (\*) Leave in the OFF position for use with door panels in houses and set to ON for use in apartment buildings.
- (\*) Leave in the ON position to set the door opening time to 5 seconds. Set to OFF to set the door opening time to 1 second.
- (\*) Set to ON to configure: (see page 25-26)  
Vocal synthesis language, Relay 1 and Relay 2 of the lock release will be NO or NC, adjustment of vocal synthesis volume and the operating mode of the sound module. Leave in the OFF position once configuration is complete.

(\*) **Factory setting.**

### Description of the configuration jumper:

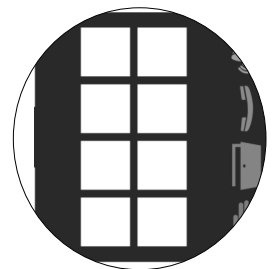
**Important:** Do not change the factory default position of the configuration jumper.



(\*) **Factory setting.**

### Description of the door panel lighting LEDs for low light conditions:

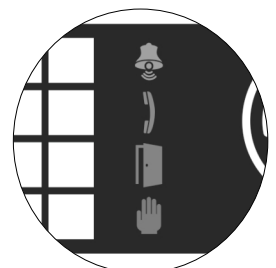
The door panel lighting LEDs will turn on during a call if the door panel lighting at that moment is low. This enables the user to view the person who has called from the apartment monitor.



### Description of the visual signals on the door panel:

Visual signals on the door panel for people with impaired hearing:

- While calling: LED '🔔' will illuminate during in call and in communication times.
- During communication: LED '🗣️' will illuminate during the communication process.
- During door release: LED '🚪' will illuminate during door release.
- End of communication: LEDs '🔔' and '🗣️' will turn off.
- Calling at one door panel while another door panel is communicating (if there is more than one door panel): LED '👋' will illuminate for 3 seconds.
- While calling and the monitor is in "Do not disturb" mode: LED '🔔' will illuminate for 4 seconds.
- While calling (apartment with no monitor or telephone): LED '🔔' will illuminate for 4 seconds.





## INSTALLATION OF THE DOOR PANEL

### **Description of the vocal synthesis (audible signals on the door panel):**





Audible signals on the door panel for people with impaired vision.

If vocal synthesis is enabled on the sound module (see page 24-25 for configuration), the following voice messages can be heard on the door panel:

- While calling: "Call is in progress".
- During door release: "Door Opened!".
- End of communication: "Communication is finished".
- Calling at one door panel while another door panel is communicating (if there is more than one door panel): "System is busy, try later".
- While calling and the monitor is in "Do not disturb" mode: "Call is in progress".
- While calling (apartment with no monitor or telephone): "Resident Unavailable".

### **Adjusting the door panel communication volume:**

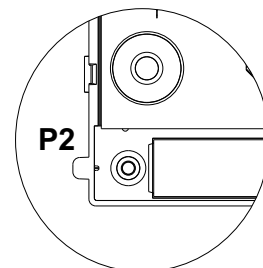
If after starting the system the door panel audio volume seems inadequate, follow these steps:

- Call an apartment.
- The call is received in the apartment. Establish communication by pressing the push button  on the monitor.
- Next, press the push button used to call the apartment for 3 seconds until a number of confirmation tones are heard and the door panel communication LED  starts to blink.
- Each press on the same call button will increase the door panel volume and LED blink speed.  
There are 5 volume settings and the blink speed of LED  will increase for each. Slow to fast blink - low to high volume. After reaching "setting 5", that is, maximum blink speed and volume, the next setting is "setting 1", that is, minimum blink speed and volume (carousel mode).
- To save the volume setting keep the push button used to call the apartment pressed until a number of confirmation tones are heard and the door panel communication LED  turns off.

### **Selecting the vocal synthesis language:**




To activate the vocal synthesis of the door panel, follow these steps:

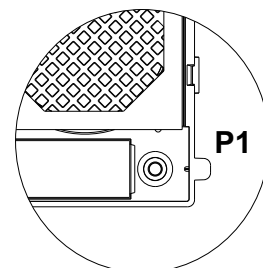
- Disconnect the door panel's power supply.
- Set DIP 6 on the sound module (see page 24) to ON.
- Reconnect the door panel's power supply.
- Press and hold down button P2 on the sound module for 6 seconds (until the confirmation tones end).
- Then continue pressing until the required language is reached.
- Finally, set DIP 6 to OFF.  
A confirmation tone will be heard.



### **Configuring the contact type for Relay 1 and Relay 2 (lock release):**

To change the contact type for lock release activation of Relay 1 and Relay 2 of the door panel, follow these steps:

- Disconnect the door panel's power supply.
- Set DIP 6 on the sound module (see page 24) to ON.
- Reconnect the door panel's power supply.
- Press and hold down button P1 on the sound module for 6 seconds (until the confirmation tones end and LED  on the door panel starts to blink).
- Then continue pressing until the required contact type is reached. LED  on the door panel will blink rapidly if the contact selected is NO (default setting) or slowly if the contact selected is NC. Once the required option is selected, stop pressing button P1.
- Finally, set DIP 6 to OFF.  
A confirmation tone will be heard and LED  on the door panel will turn off.



#### **Description:**

Normally open: N.O





Normally closed: N.C

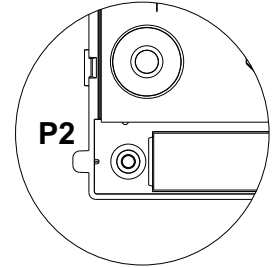
**Important:** The selected contact type will apply to both Relay 1 and Relay 2.

**INSTALLATION OF THE DOOR PANEL**

**Adjusting the vocal synthesis volume:**

If after starting the system the vocal synthesis volume of the door panel seems inadequate, follow these steps:

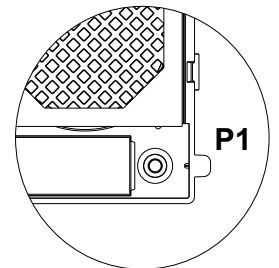
- Disconnect the door panel's power supply.
- Set DIP 6 on the sound module (see page 24) to OFF.
- Reconnect the door panel's power supply.
- Set DIP 6 to ON.
- Press and hold down button P2 on the sound module for 6 seconds (until the vocal synthesis volume is heard and LED  on the door panel starts to blink).
- Then continue pressing to increase the vocal synthesis volume and the blink speed of LED . There are 5 volume settings and the blink speed of LED  will increase for each. Slow to fast blink - low to high volume. After reaching "setting 5", that is, maximum blink speed and volume, the next setting is "setting 1", that is, minimum blink speed and synthesiser volume (carousel mode). Once the required volume is selected, stop pressing button P2.
- Finally, set DIP 6 to OFF. A confirmation tone will be heard and LED  on the door panel will turn off.







**Selecting the sound module operating mode:**

To change the operating mode of the sound module, follow these steps:

- Disconnect the door panel's power supply.
- Set DIP 6 on the sound module (see page 24) to OFF.
- Reconnect the door panel's power supply.
- Set DIP 6 to ON.
- Press and hold down button P1 on the sound module for 6 seconds (until the confirmation tones end)
- Then continue pressing to change the operating mode indicated by the visual alert LEDs of the door panel 'carousel mode' (see the following operating mode selection table). Once the required operating mode is selected, stop pressing button P1.
- Finally, set DIP 6 to OFF. A confirmation tone will be heard and the visual alert LEDs of the door panel will turn off.



**Operating modes**

	Mode	DIP4	Function mode	Door panel	Installation	LED 	LED 	LED 	LED 
(1)	(*) House	OFF	(*) 1	Buttons	Video panel	ON	OFF	OFF	OFF
	Building (Up to 32 monitors/telephones)	ON	(*) 1	Buttons	Video panel/ Audio panel	ON	OFF	OFF	OFF
	Building 'tel. only' (Up to 128 telephones)	ON	2	Buttons	Audio panel	OFF	ON	OFF	OFF
(2)	Building 'router' (Up to 128 monitors/telephones)	ON	3	Buttons	Video panel (Inst. with risers)	ON	ON	OFF	OFF
(2)	Building 'gateway' (Up to 128 monitors/telephones)	ON	4	Buttons	Video panel (Gen. panel inst.)	OFF	OFF	ON	OFF
(3)	Building (Up to 32 monitors/telephones)	ON	5	Coded	Video panel/ Audio panel	ON	OFF	ON	OFF
(3)	Building 'tel. only' (Up to 128 telephones)	ON	6	Coded	Audio panel	OFF	ON	ON	OFF
(2)(3)	Building 'router' (Up to 256 monitors/telephones)	ON	7	Coded	Video panel (Inst. with risers)	ON	ON	ON	OFF
(2)(3)	Building 'gateway' (Up to 256 monitors/telephones)	ON	8	Coded	Video panel (Gen. panel inst.)	OFF	OFF	OFF	ON
Mode 9 to 12 (no function)						-----	-----	-----	-----

Continued overleaf

## INSTALLATION OF THE DOOR PANEL

Continued from previous page.

**Building mode:** Set DIP 4 on the sound module to ON (see page 24).

- Up to 23 monitors and apartments with a VESTA2 SE monitors per installation.  
(Mixed installations with telephones up to 23 elements).
- Up to 18 monitors and apartments with a Vesta7 monitor per installation.  
(Mixed installations with telephones up to 18 elements).
- Up to 32 telephones and apartments with T562/Nhea telephones per installation.  
(Audio door entry system installation audio only).

**Building mode 'telephones only' (audio panel):** Up to 128 telephones/apartments.  
Set DIP 4 on the sound module to ON (see page 24).

**Building mode 'router':** Set DIP 4 on the sound module to ON (see page 24).

- Up to 23 monitors and apartments with a VESTA2 SE monitors per riser (RD-GB2/A module(s) required).  
(Mixed installations with telephones up to 23 elements).
- Up to 18 monitors and apartments with a Vesta7 monitor per riser (RD-GB2/A module(s) required).  
(Mixed installations with telephones up to 18 elements).
- Up to 32 telephones and apartments with T562/Nhea telephones per riser (RD-GB2/A module(s) required).  
(Audio door entry system installation audio only).

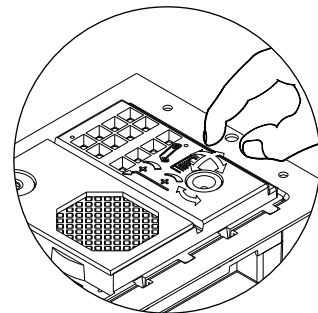
**Building mode 'gateway':** Set DIP 4 on the sound module to ON (see page 24).

- Up to 23 monitors and apartments with a VESTA2 SE monitors per interior panel (RD-GB2/A module(s) required).  
(Mixed installations with telephones up to 23 elements).
- Up to 18 monitors and apartments with a Vesta7 monitor per interior panel (RD-GB2/A module(s) required).  
(Mixed installations with telephones up to 18 elements).
- Up to 32 telephones and apartments with T562/Nhea telephones per interior panel (RD-GB2/A module(s) required).  
(Audio door entry system installation audio only).

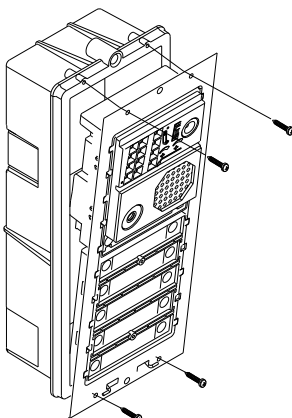
- (1) House mode. See the manual enclosed with the corresponding GB2 house kit.
  - (2) Building mode 'router'/'gateway'. See the manual enclosed with the RD-GB2/A module.
  - (3) Coded panel. See the manual enclosed with the N3301 GB2/N3401 GB2 module.
- (\*) Sound module configured with **default setting**: house mode and operating mode 1.

### **Adjusting telecamera:**

The telecamera has a pan and tilt mechanism built in to adjust the telecamera position.



### **Closing the frame:**

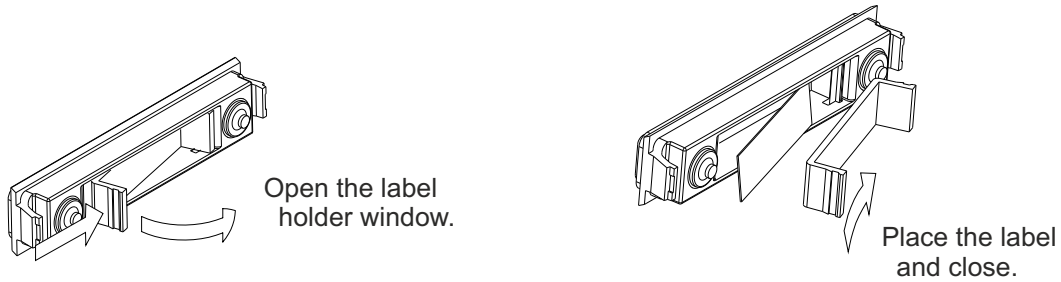


Once the wiring and configuration work is done, fix the frame to the embedding box using the screws supplied.

**Important:** Before closing the door panel(s) make a test call to any apartment to ensure that everything works correctly.

INSTALLATION OF THE DOOR PANEL

***Inserting the button identification labels:***

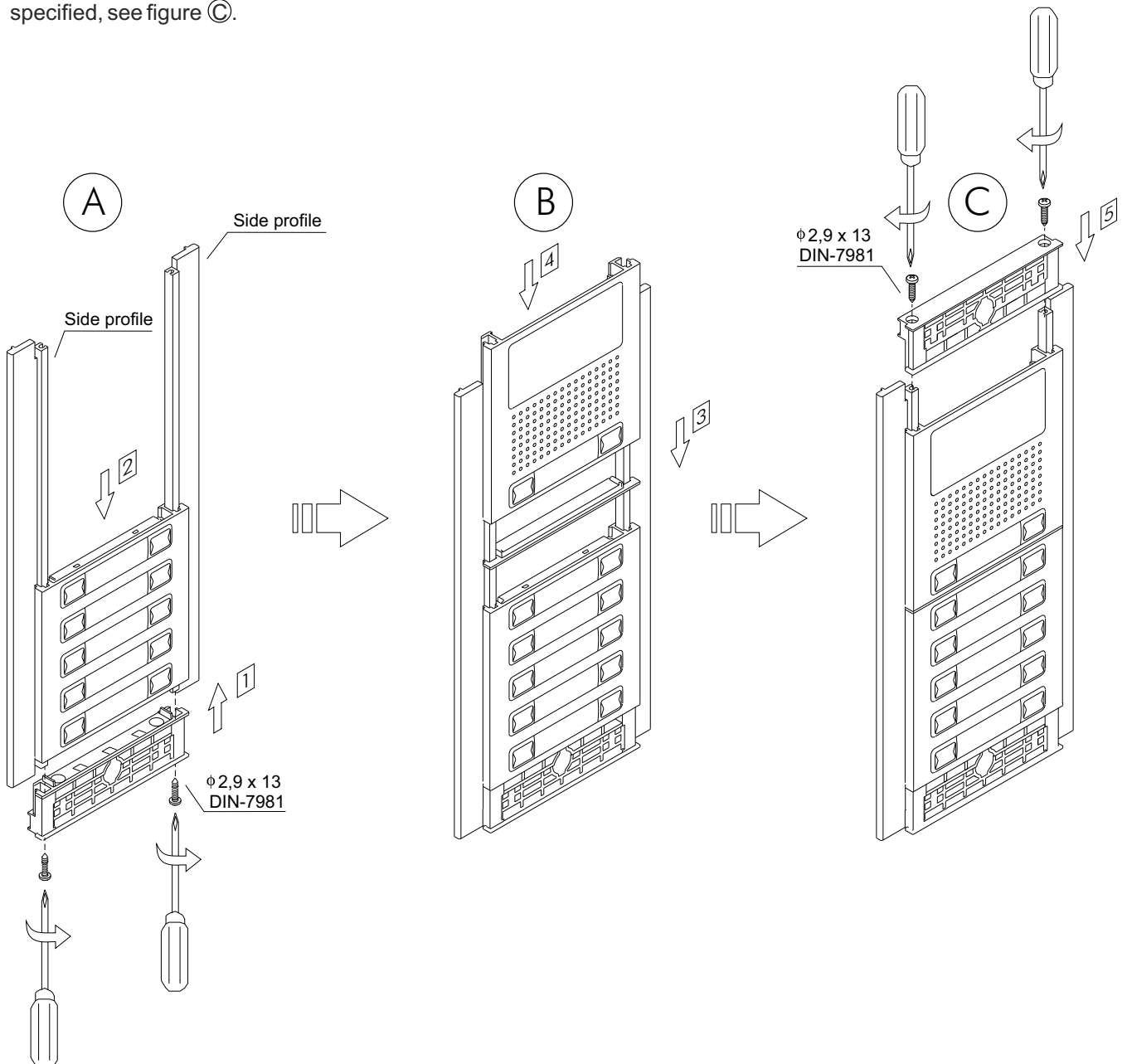


***Mounting the modules of a door panel:***

Insert a clip-on cover into the side profiles (from the bottom) and fix it using the screws specified (step 1) and then insert the module (step 2). If the door panel has more than one module, insert the lower module first, see figure (A).

Insert the module separator (step 3) and then the next module (step 4), see figure (B). Repeat this process on door panels with more than one module (the maximum number of modules that can be linked vertically is three).

To finish, insert the second clip-on cover (step 5) into the side profiles (from the top) and fix it using the screws specified, see figure (C).



## INSTALLATION OF THE DOOR PANEL

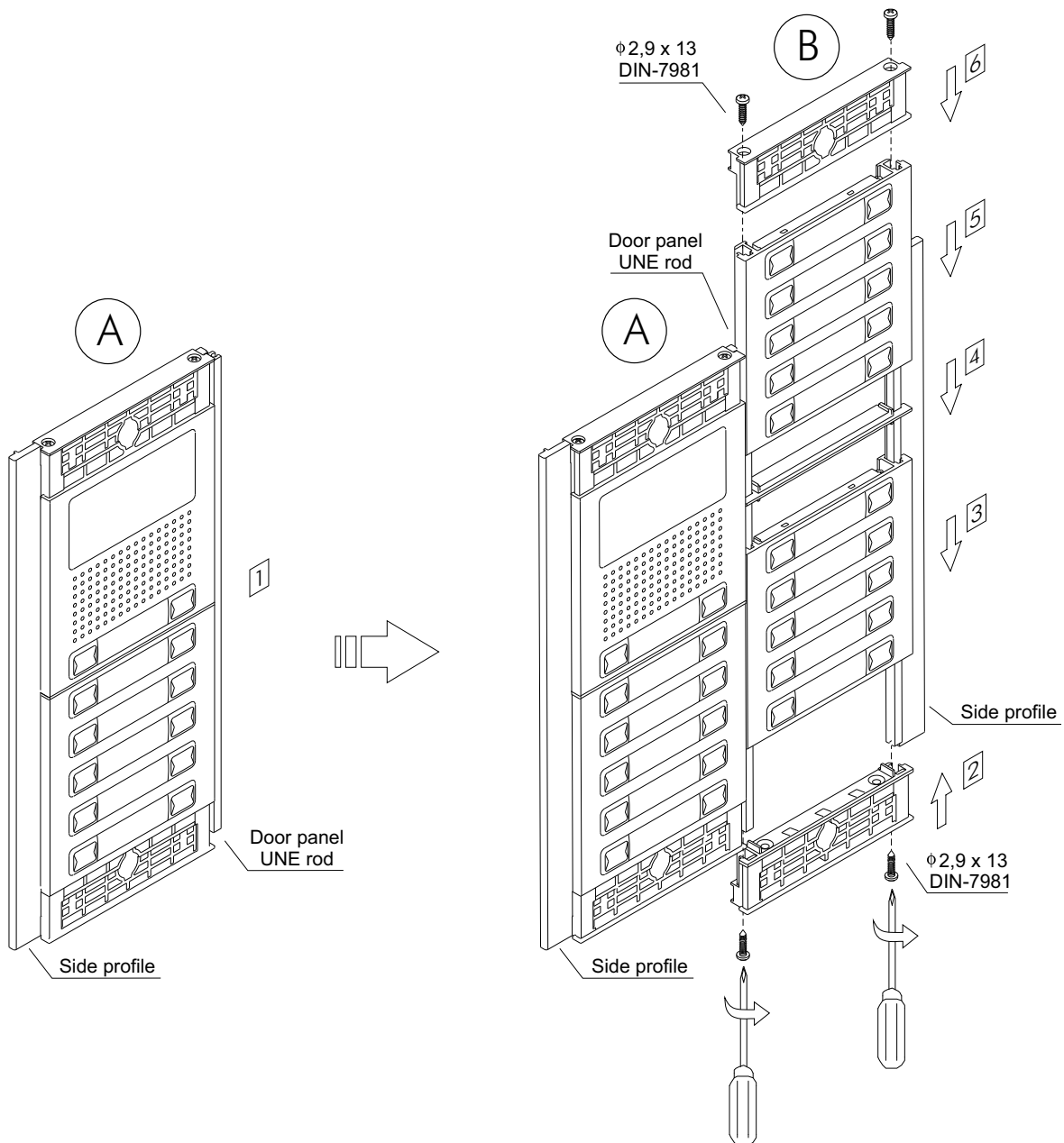
### **Mounting the modules of a double door panel:**

Mount door panel (A) (step 1) as described in 'Mounting the modules of a door panel' (see page 28), taking into account that the bar connecting panel (A) and panel (B) must be a door panel UNE rod, see drawing below.

Insert a clip-on cover between the door panel UNE rod and the second side profile (from the bottom) and fix it using the screws specified (step 2), then insert the module (step 3). If the door panel has more than one module, insert the lower module first.

Insert the module separator (step 4) and then the next module (step 5). Repeat this process on door panels with more than one module (the maximum number of modules that can be linked vertically is three).

To finish, insert the final clip-on cover between the door panel UNE rod and the second side profile (from the top) and fix it using the screws specified (step 6).



**IMPORTANT:** Once the adjustments are completed, stick the adhesive joint (enclosed with the N60XX CMPL end piece set) to the door panel UNE rod.

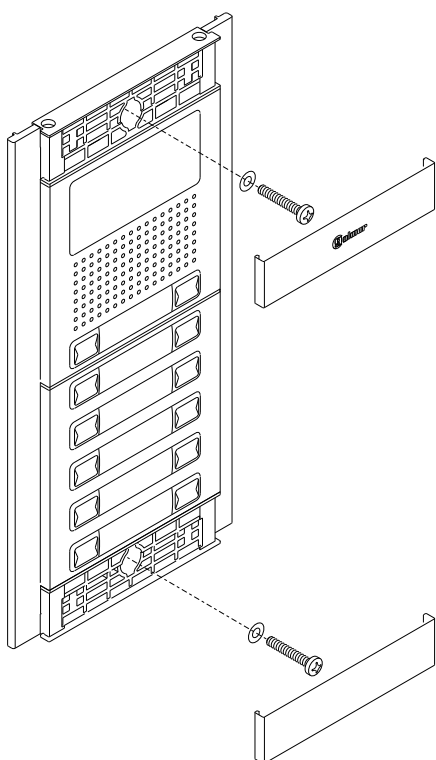
## INSTALLATION OF THE DOOR PANEL

### Closing the door panel:

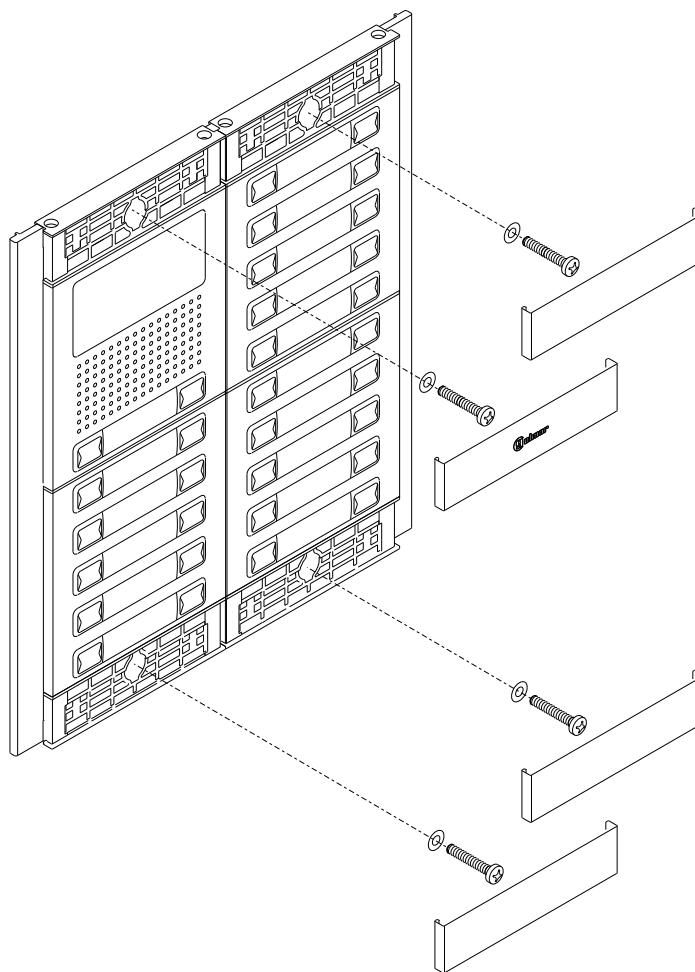
Fix the door panel to the embedding box using the screws supplied.

To complete the fitting of the panel, attach the clip-on covers by positioning one end and then applying slight pressure to the other end until they clip into place.

### Single door panel:



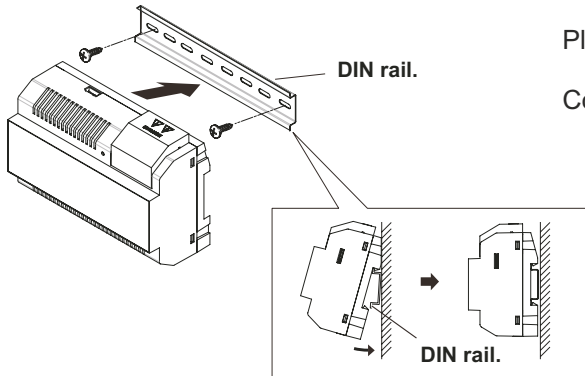
### Double door panel:



**INSTALLATION OF THE POWER SUPPLY UNIT**

**Installing the FA-GB2/B power supply unit:**

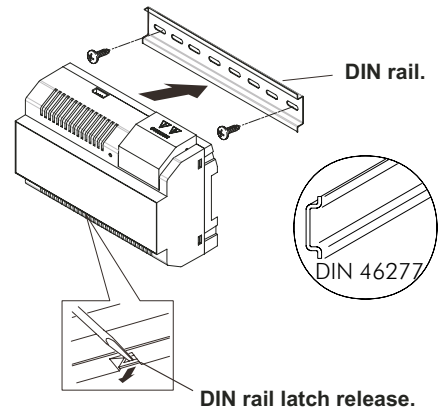
Install the power supply unit in a dry and protected place free from the risk of water leaks or sprays. To prevent electric shock, do not remove the protective cover of the primary or handle the wiring. The fitting and handling of this device must be carried out by **authorised personnel** in the absence of electrical current. To avoid damage, the power supply unit must be firmly secured in place.



Please note that current regulations stipulate that the power supply must be protected by a circuit breaker. Connect the FA-GB2/B power supply unit to the earth connection.

Mount the DIN rail to the wall with the plugs and screws supplied. Then attach the power supply by applying slight pressure.

The power supply can be installed on a DIN 46277 rail. To remove the power supply unit from the DIN rail, use a flat screwdriver to lever it off, as shown in the drawing. The FA-GB2/B model requires 8 elements on the rail.



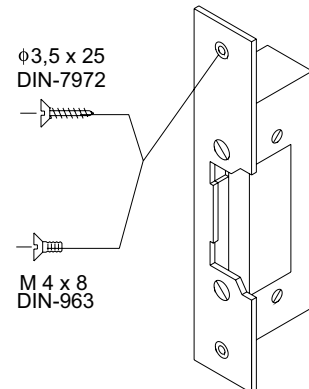
**IMPORTANT:** the maximum number of units that can be connected to an FA-GB2/B power supply are:  
 23 VESTA2 SE monitors - 18 VESTA7 monitors - 18 Pentha monitors.

**Replace the protective cover once the input terminals have been wired.**

**INSTALLATION OF THE LOCK RELEASE**

**Installing the lock release:**

If the lock release is to be fitted to a metal door, use a Ø3.5mm drill bit and thread the hole made. For wooden doors, use a Ø3mm drill bit.

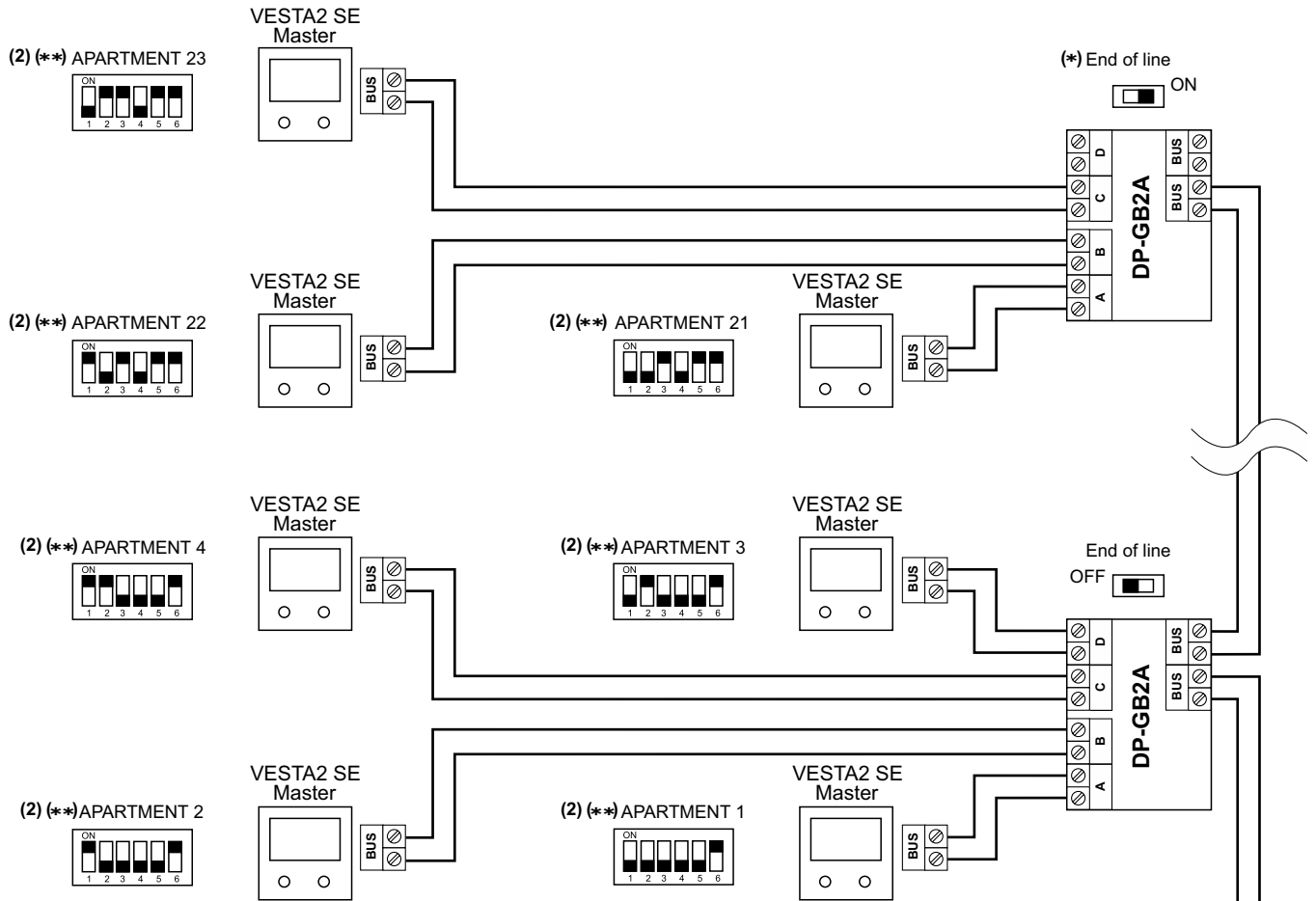


**IMPORTANT:**

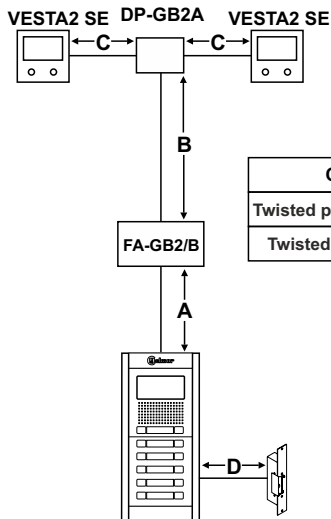
- The lock release must be 12V DC or AC (Golmar).  
 (See page 44 for a.c. lock release and page 32-44 for d.c. lock release).
- The sound module is supplied with two varistors. If connecting an a.c. lock release to one of the outputs, fit the varistor supplied directly to the lock release terminals to ensure the device functions correctly.

## WIRING DIAGRAMS:

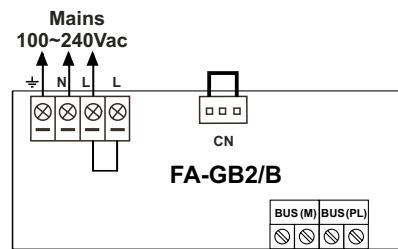
**Video door entry system with 23 VESTA2 SE monitors, 6 DP-GB2A distributors and Golmar d.c. lock release.**



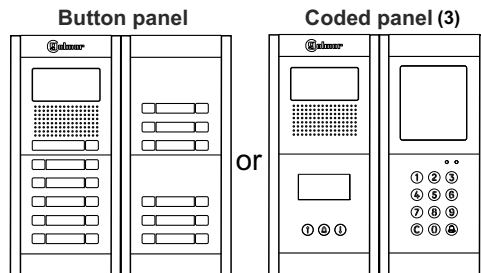
### Distances and cross-sections:



Cable	A	B	C	D
Twisted pair 2x0.75mm <sup>2</sup>	60m	60m	30m	10m
Twisted pair 2x1mm <sup>2</sup>	80m	80m	40m	15m

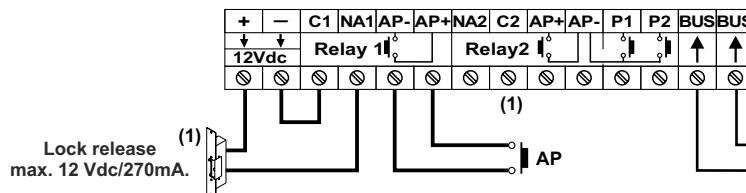


### Access panel



(\*) Configuring the end of line in the last distributor. Switch to ON.

(\*\*) Configure the end of line in the last monitor. DIP 6 to ON.



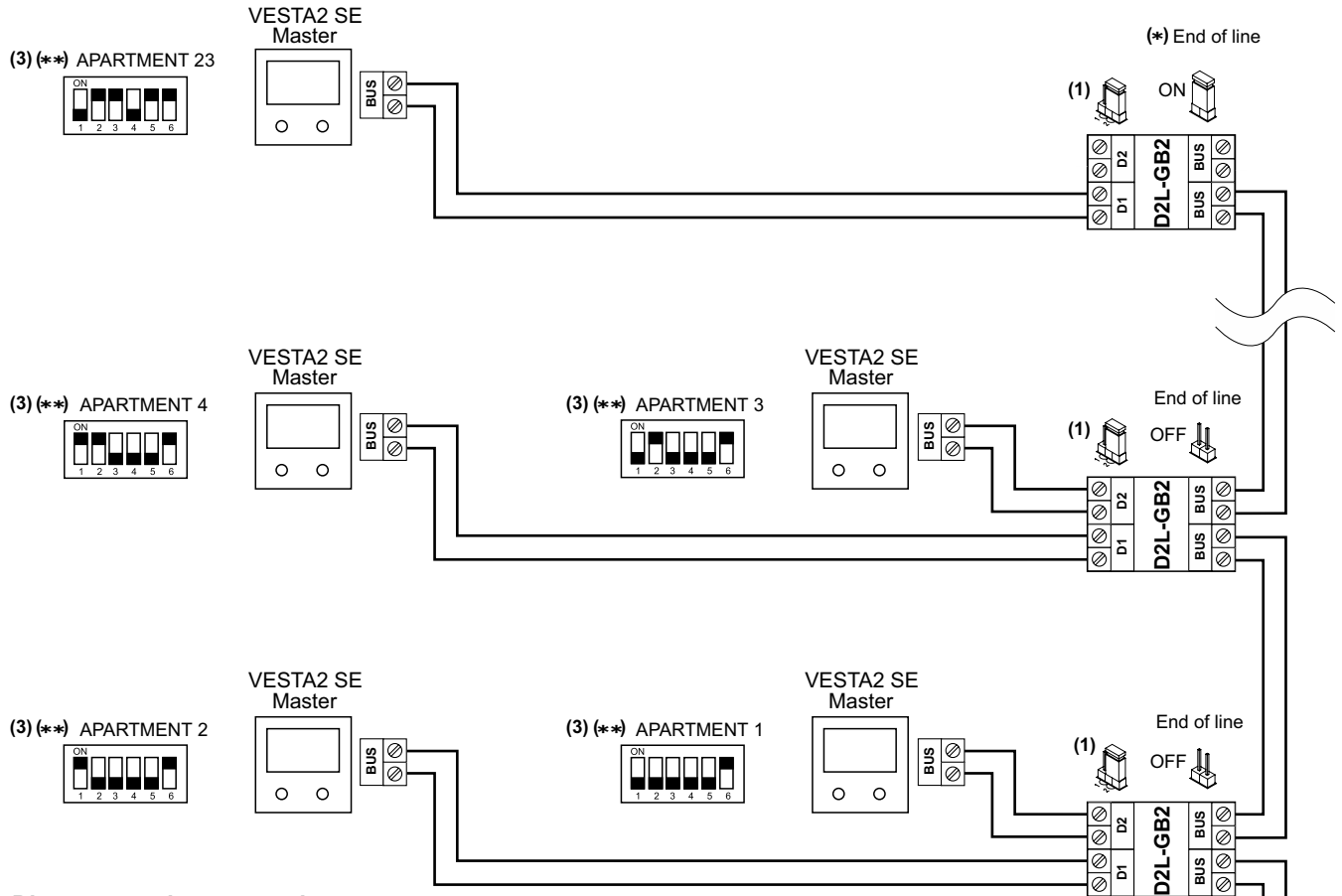
### Important:

- (1) For the connection of an AC lock release or a 2nd lock release, see page 44.
- (2) For more information about the VESTA2 SE monitor, see the Quick Guide enclosed with its corresponding product.
- (3) For more information about the coded panel, see the Quick Guide enclosed with the N3301 GB2/N3401 GB2 module.

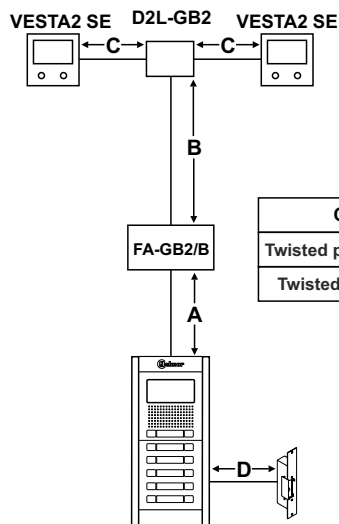


## WIRING DIAGRAMS:

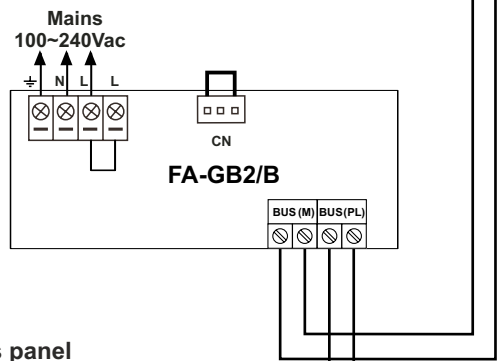
**Video door entry system with 23 VESTA2 SE monitors, 12 D2L-GB2 distributors and Golmar d.c. lock release.**



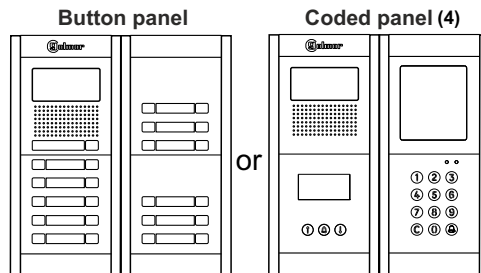
### Distances and cross-sections:



Cable	A	B	C	D
Twisted pair 2x0.75mm <sup>2</sup>	60m	60m	30m	10m
Twisted pair 2x1mm <sup>2</sup>	80m	80m	40m	15m



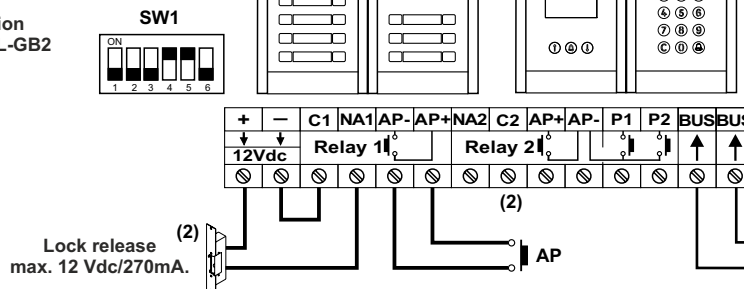
### Access panel



(1) Leave the jumper in the position GB2 monitors of all of the D2L-GB2 distributors.

(\*) Remove the jumper from all of the distributors except the last.

(\*\*) Configure the end of line in the last monitor. DIP 6 to ON.

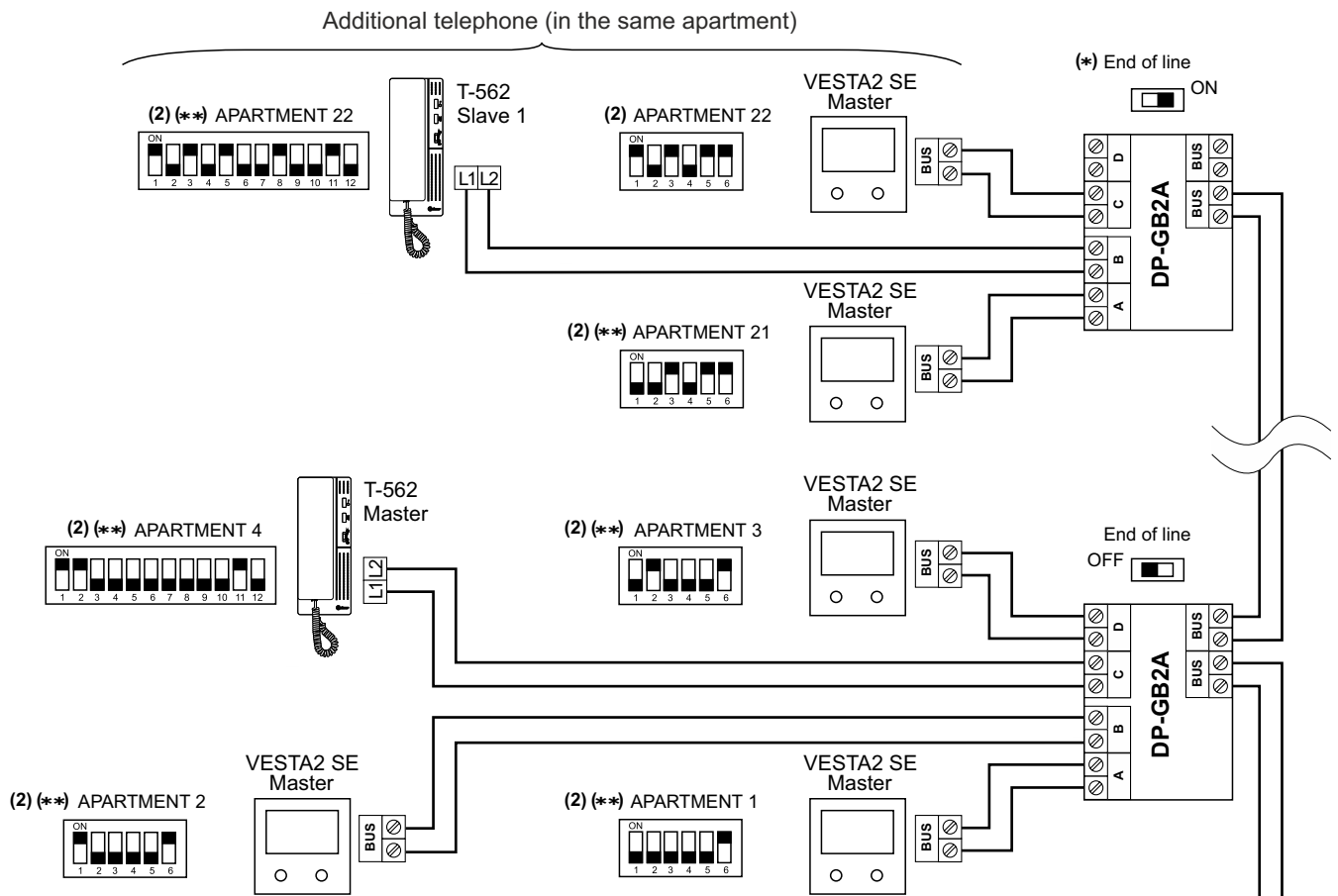


### Important:

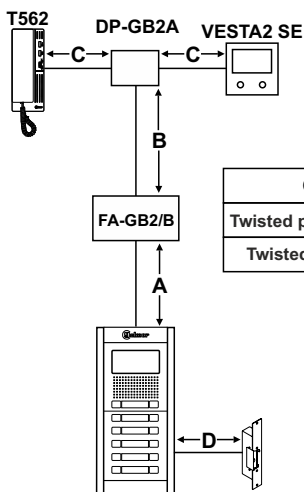
- (2) For the connection of an AC lock release or a 2nd lock release, see page 44).
- (3) For more information about the VESTA2 SE monitor, see the Quick Guide enclosed with its corresponding product.
- (4) For more information about the coded panel, see the Quick Guide enclosed with the N3301 GB2/N3401 GB2 module.

## WIRING DIAGRAMS:

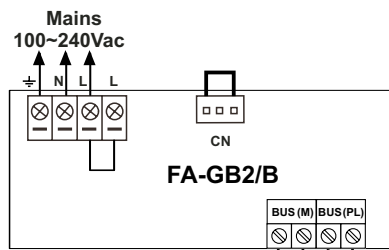
**Mixed installation: Up to 23 elements (VESTA2 SE monitors/T562 telephones), 6 DP-GB2A distributors and d.c. lock release.**



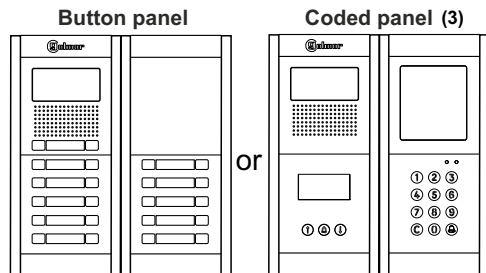
### Distances and cross-sections:



Cable	A	B	C	D
Twisted pair 2x0.75mm <sup>2</sup>	60m	60m	30m	10m
Twisted pair 2x1mm <sup>2</sup>	80m	80m	40m	15m



### Access panel



(\*) Configuring the end of line in the last distributor. Switch to ON.

(\*\*) Configure the end of line in the last monitor or telephone. Monitor: DIP 6 to ON. Telephone: DIP 11 to ON.

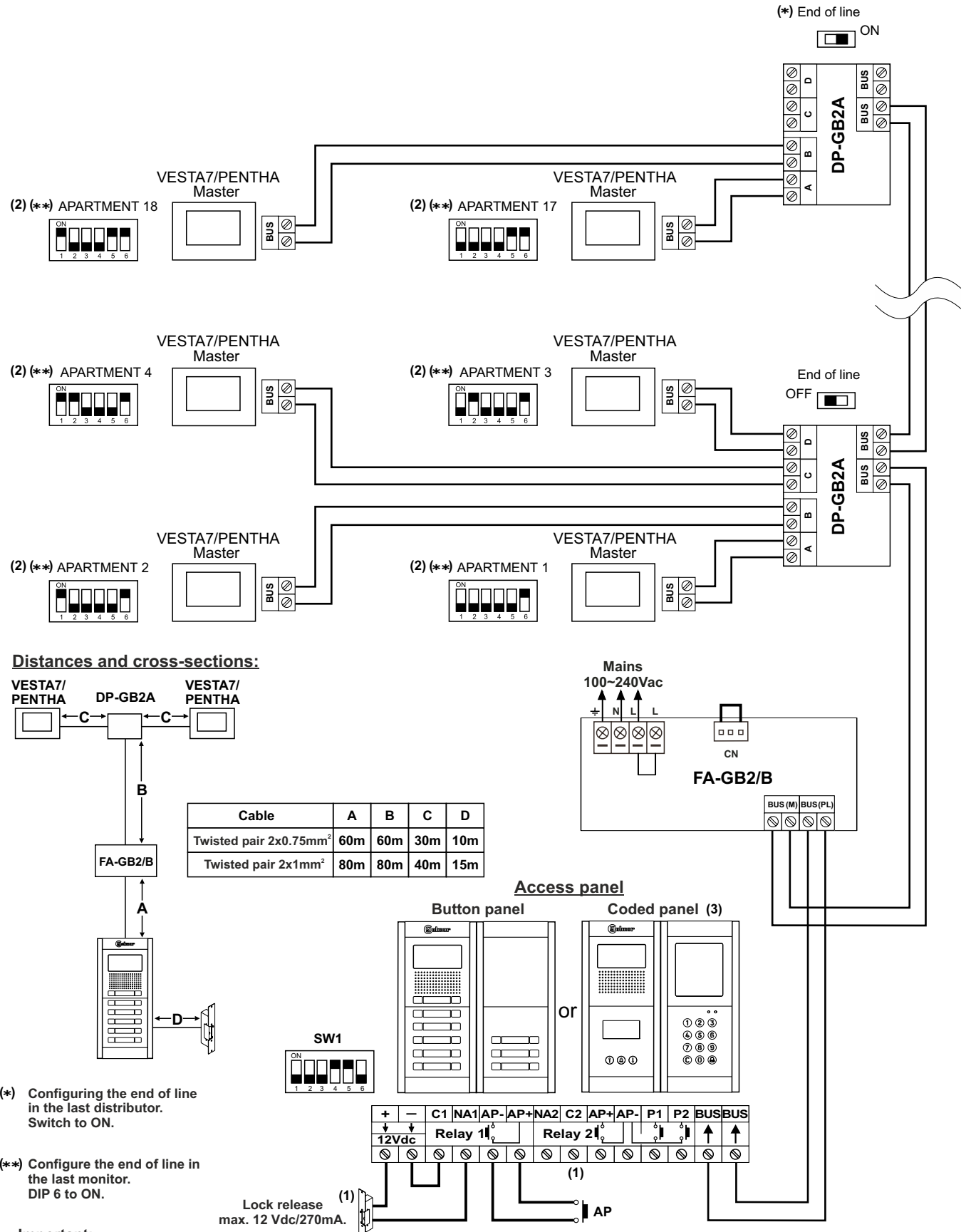
Lock release max. 12 Vdc/270mA

### Important:

- (1) For the connection of an AC lock release or a 2nd lock release, see page 44.
- (2) For more information about the VESTA2 SE monitor and the T-562 telephone, see the Quick Guide enclosed with its corresponding product.
- (3) For more information about the coded panel, see the Quick Guide enclosed with the N3301 GB2/N3401 GB2 module.

## WIRING DIAGRAMS:

Video door entry system with 18 VESTA7 monitors, 5 DP-GB2A distributors and Golmar d.c. lock release.  
Video door entry system with 18 PENTHA monitors, 5 DP-GB2A distributors and Golmar d.c. lock release.



(\*) Configuring the end of line in the last distributor. Switch to ON.

(\*\*) Configure the end of line in the last monitor. DIP 6 to ON.

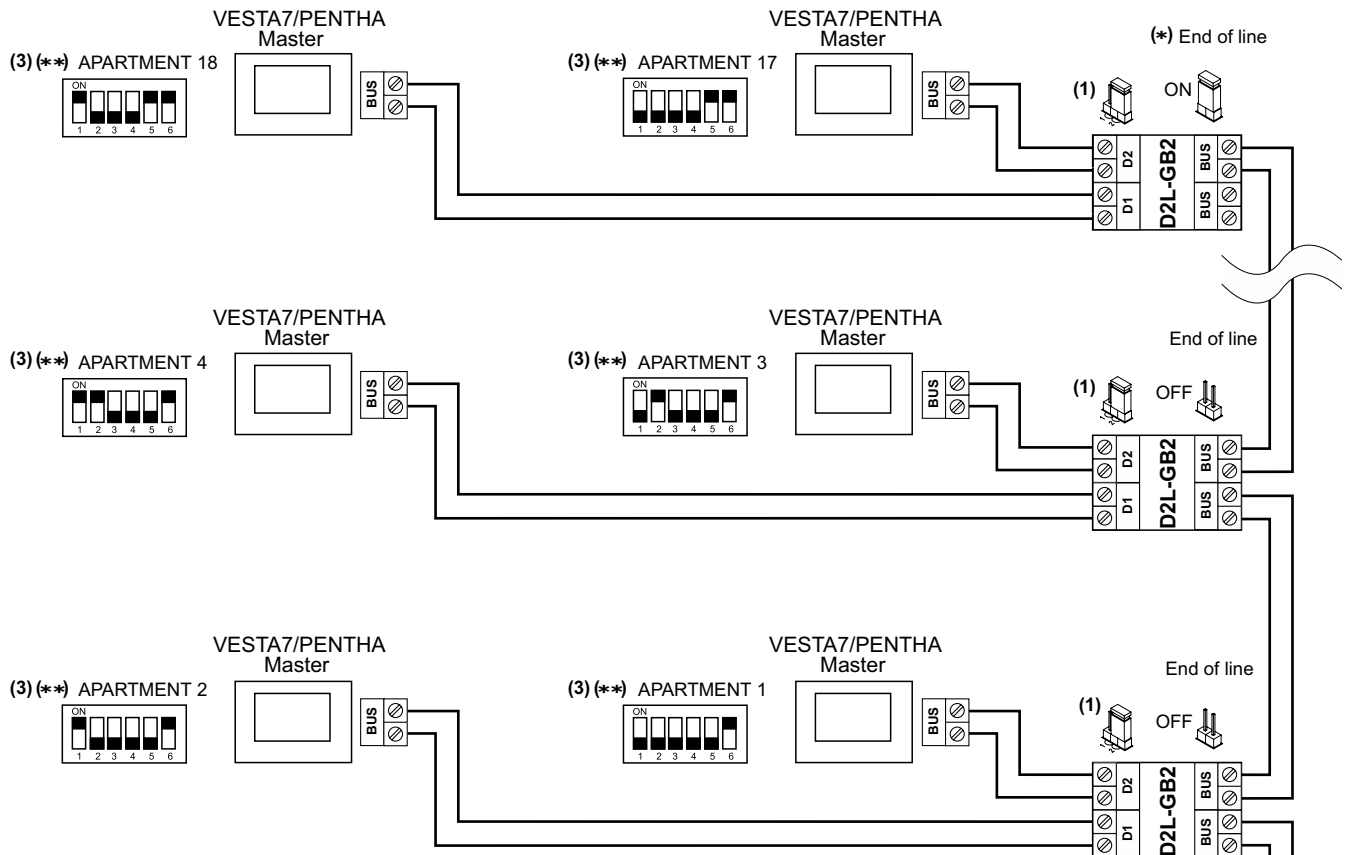
### Important:

- (1) For the connection of an AC lock release or a 2nd lock release, see page 44.
- (2) For more information about the VESTA7 monitor, see the Quick Guide enclosed with its corresponding product.
- (3) For more information about the coded panel, see the Quick Guide enclosed with the N3301 GB2/N3401 GB2 module.

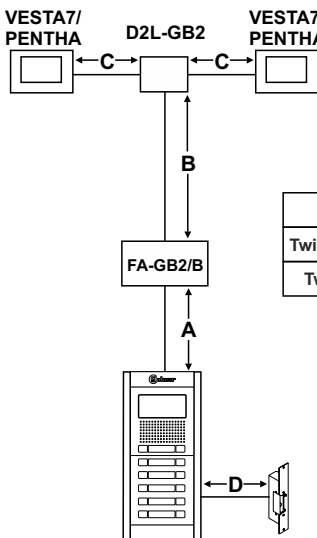
## WIRING DIAGRAMS:

***Video door entry system with 18 VESTA7 monitors, 9 D2L-GB2 distributors and Golmar d.c. lock release.***

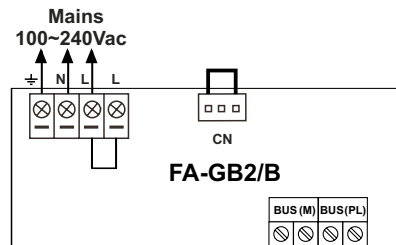
***Video door entry system with 18 PENTHA monitors, 9 D2L-GB2 distributors and Golmar d.c. lock release.***



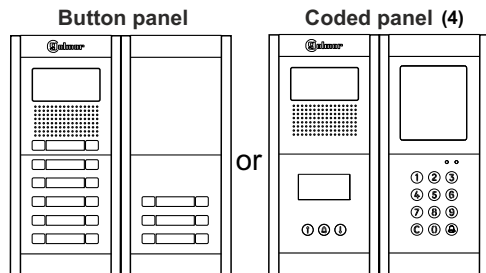
### Distances and cross-sections:



Cable	A	B	C	D
Twisted pair 2x0.75mm <sup>2</sup>	60m	60m	30m	10m
Twisted pair 2x1mm <sup>2</sup>	80m	80m	40m	15m



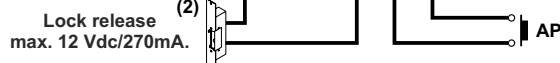
### Access panel



(1) Leave the jumper in the position GB2 monitors of all of the D2L-GB2 distributors.

(\*) Remove the jumper from all of the distributors except the last.

(\*\*) Configure the end of line in the last monitor. DIP 6 to ON.



### Important:

(2) For the connection of an AC lock release or a 2nd lock release, see page 44.

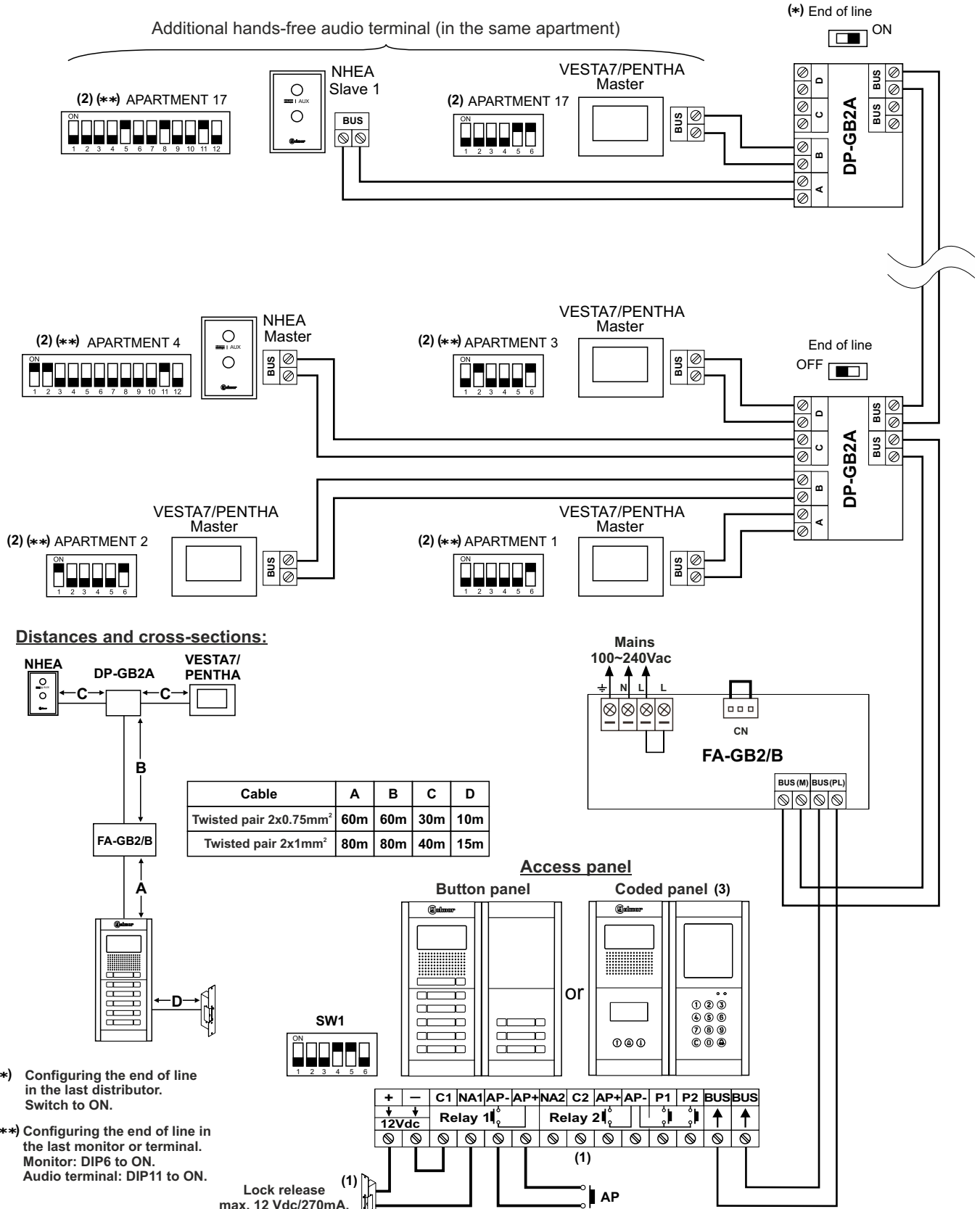
(3) For more information about the VESTA7 monitor, see the Quick Guide enclosed with its corresponding product.

(4) For more information about the coded panel, see the Quick Guide enclosed with the N3301 GB2/N3401 GB2 module.

## WIRING DIAGRAMS:

**Mixed installation: Up to 18 elements (Vesta7 monitors/Nhea hands-free audio terminals), 5 DP-GB2A distributors and d.c. lock release.**

**Mixed installation: Up to 18 elements (Pentha monitors/Nhea hands-free audio terminals), 5 DP-GB2A distributors and d.c. lock release.**



(\*) Configuring the end of line in the last distributor. Switch to ON.

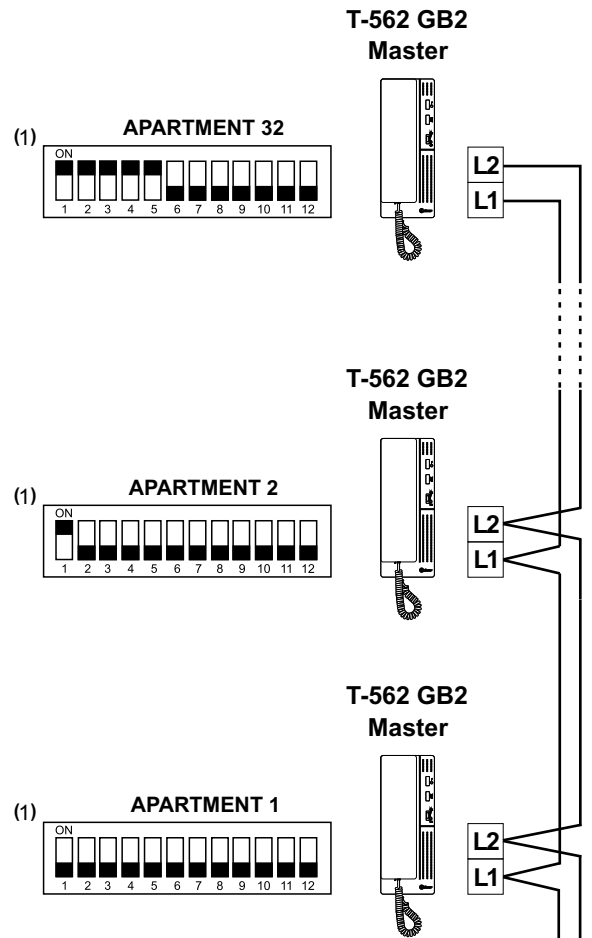
(\*\*) Configuring the end of line in the last monitor or terminal. Monitor: DIP6 to ON. Audio terminal: DIP11 to ON.

**Important:**

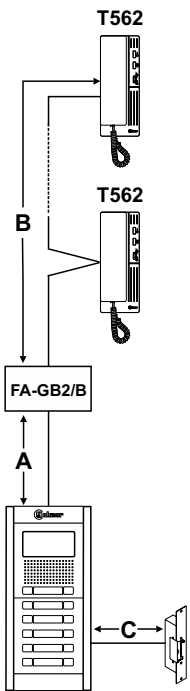
- (1) For the connection of an AC lock release or a 2nd lock release, see page 44.
- (2) For more information about the VESTA7 monitor and the NHEA audio terminal, see the Quick Guide enclosed with its corresponding product.
- (3) For more information about the coded panel, see the Quick Guide enclosed with the N3301 GB2/N3401 GB2 module.

WIRING DIAGRAMS:

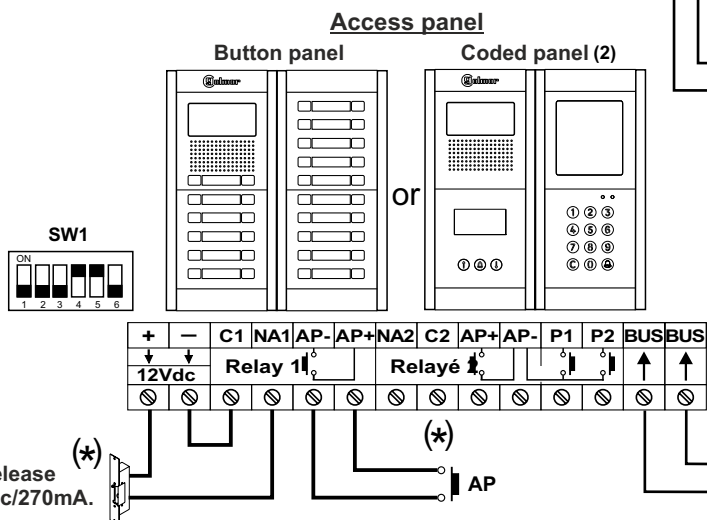
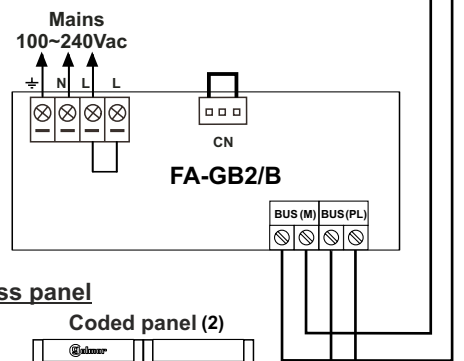
**Audio door entry system with 32 apartments/T562 GB2 telephones and Golmar d.c. lock release:**



**Distances and cross-sections:**



Cable	A	B	C
Twisted pair 2x0.75mm <sup>2</sup>	60m	60m	10m
Twisted pair 2x1mm <sup>2</sup>	80m	80m	15m

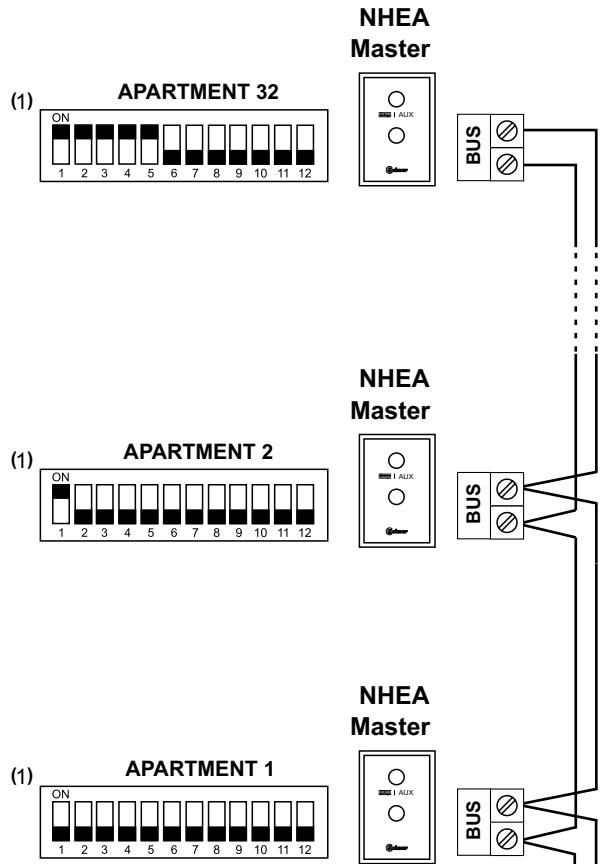


**Important:**

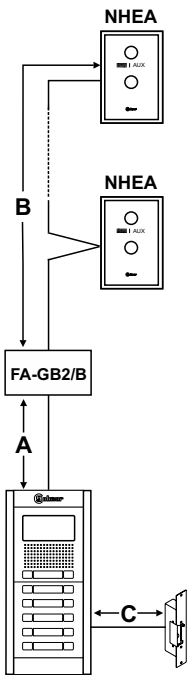
- (\*) For the connection of an AC lock release or a 2nd lock release, see page 44.
- (1) For more information about the T562 telephone, see the Quick Guide enclosed with its corresponding product.
- (2) For more information about the coded panel, see the Quick Guide enclosed with the N3301 GB2/N3401 GB2 module.

WIRING DIAGRAMS:

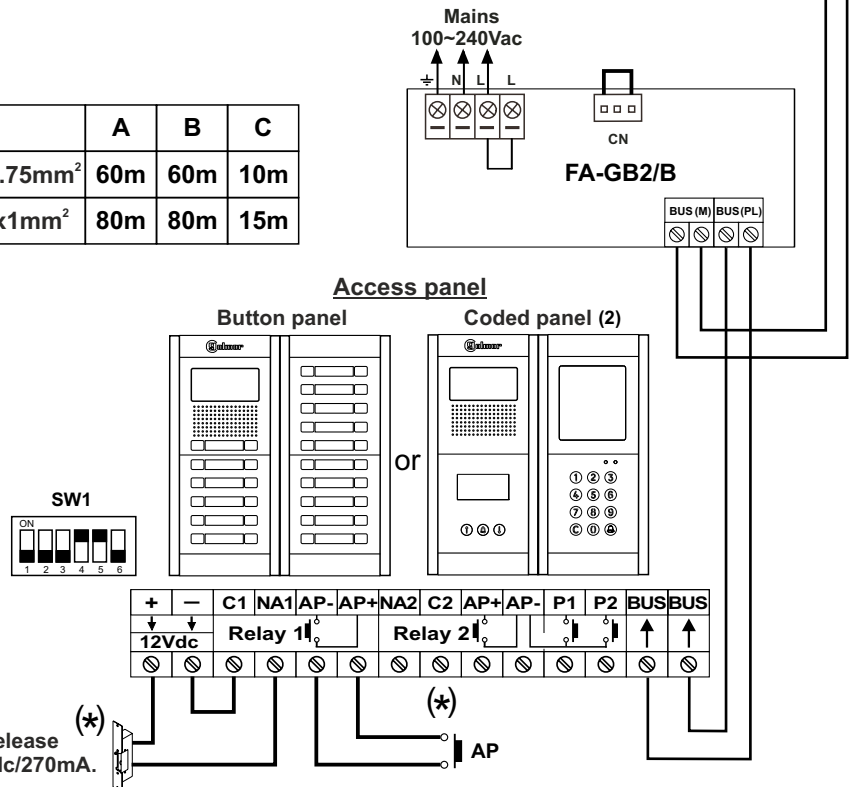
Audio door entry system with 32 apartments/NHEA hands-free audio terminals and Golmar d.c. lock release:



Distances and cross-sections:



Cable	A	B	C
Twisted pair 2x0.75mm <sup>2</sup>	60m	60m	10m
Twisted pair 2x1mm <sup>2</sup>	80m	80m	15m



**Important:**

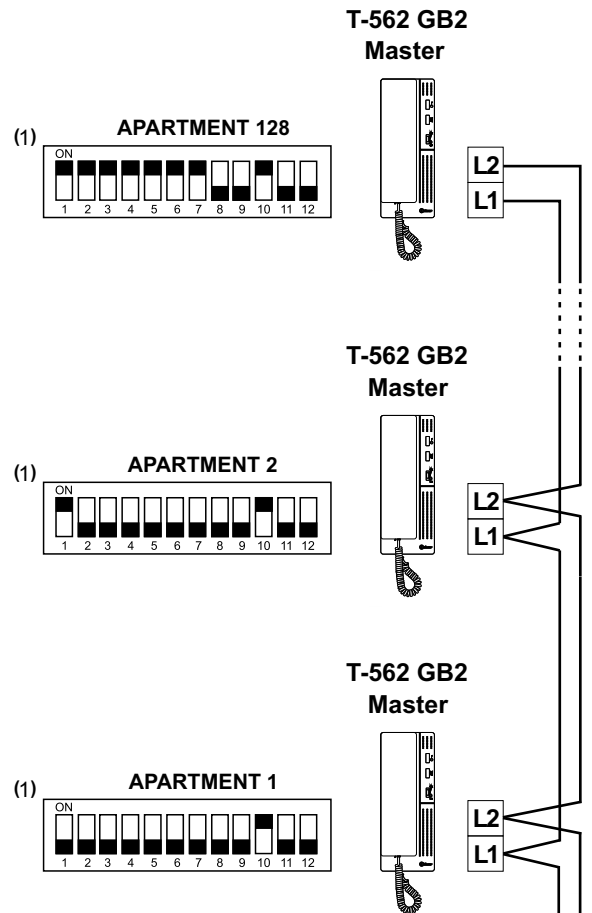
- (\*) For the connection of an AC lock release or a 2nd lock release, see page 44.
- (1) For more information about the NHEA hands-free audio terminal, see the Quick Guide enclosed with its corresponding product.
- (2) For more information about the coded panel, see the Quick Guide enclosed with the N3301 GB2/N3401 GB2 module.

## WIRING DIAGRAMS:

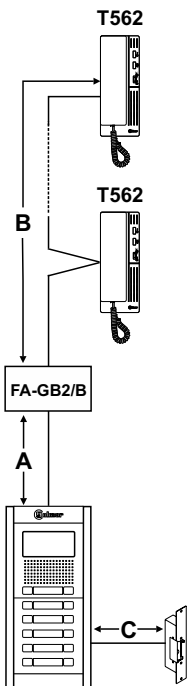
**Audio door entry system with 128 apartments/T562 GB2 telephones and Golmar d.c. lock release:**  
 (The EL642 GB2A sound module should be set to 'operating mode 2' audio only, see page 26).

### IMPORTANT:

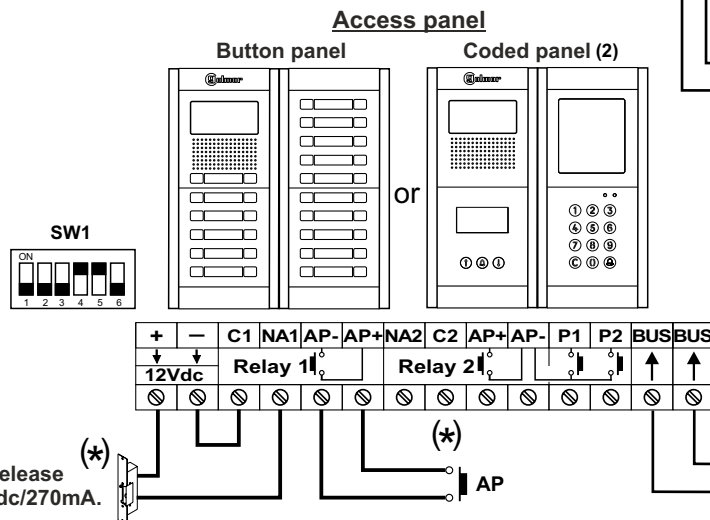
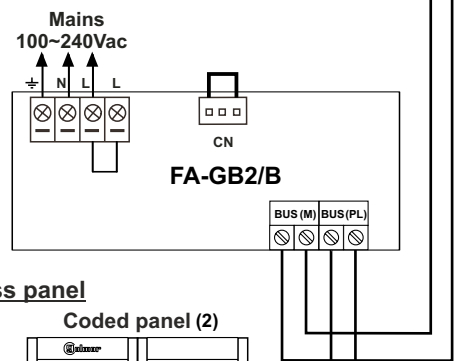
- The T562 telephone's DIP 10 should be set to ON.



### Distances and cross-sections:



Cable	A	B	C
Twisted pair 2x0.75mm <sup>2</sup>	60m	60m	10m
Twisted pair 2x1mm <sup>2</sup>	80m	80m	15m



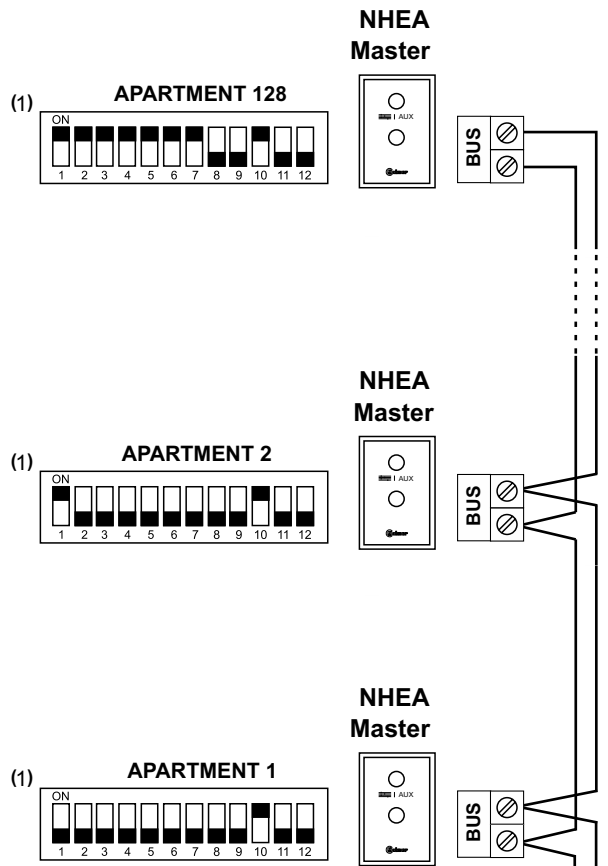
### Important:

- (\*) For the connection of an AC lock release or a 2nd lock release, see page 44.
- (1) For more information about the T562 telephone, see the Quick Guide enclosed with its corresponding product.
- (2) For more information about the coded panel, see the Quick Guide enclosed with the N3301 GB2/N3401 GB2 module.



WIRING DIAGRAMS:

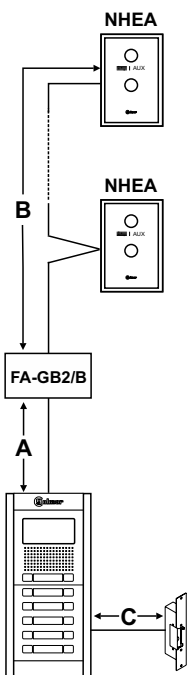
**Audio door entry system with 128 apartments/NHEA hands-free audio terminals and Golmar d.c. lock release:**  
 (The EL642 GB2A sound module should be set to 'operating mode 2' audio only, see page 26).



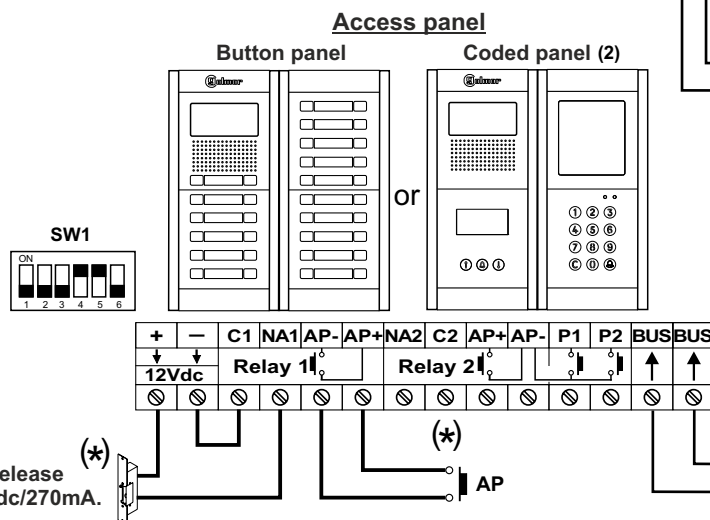
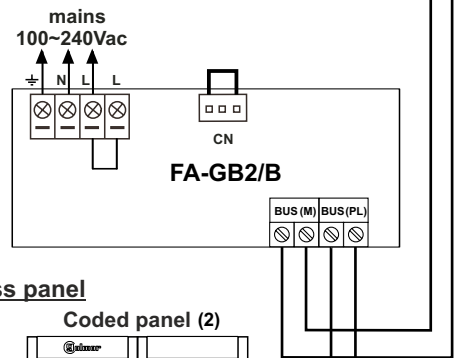
**IMPORTANT:**

- The TNHEA telephone's DIP 10 should be set to ON.

**Distances and cross-sections:**



Cable	A	B	C
Twisted pair 2x0.75mm <sup>2</sup>	60m	60m	10m
Twisted pair 2x1mm <sup>2</sup>	80m	80m	15m



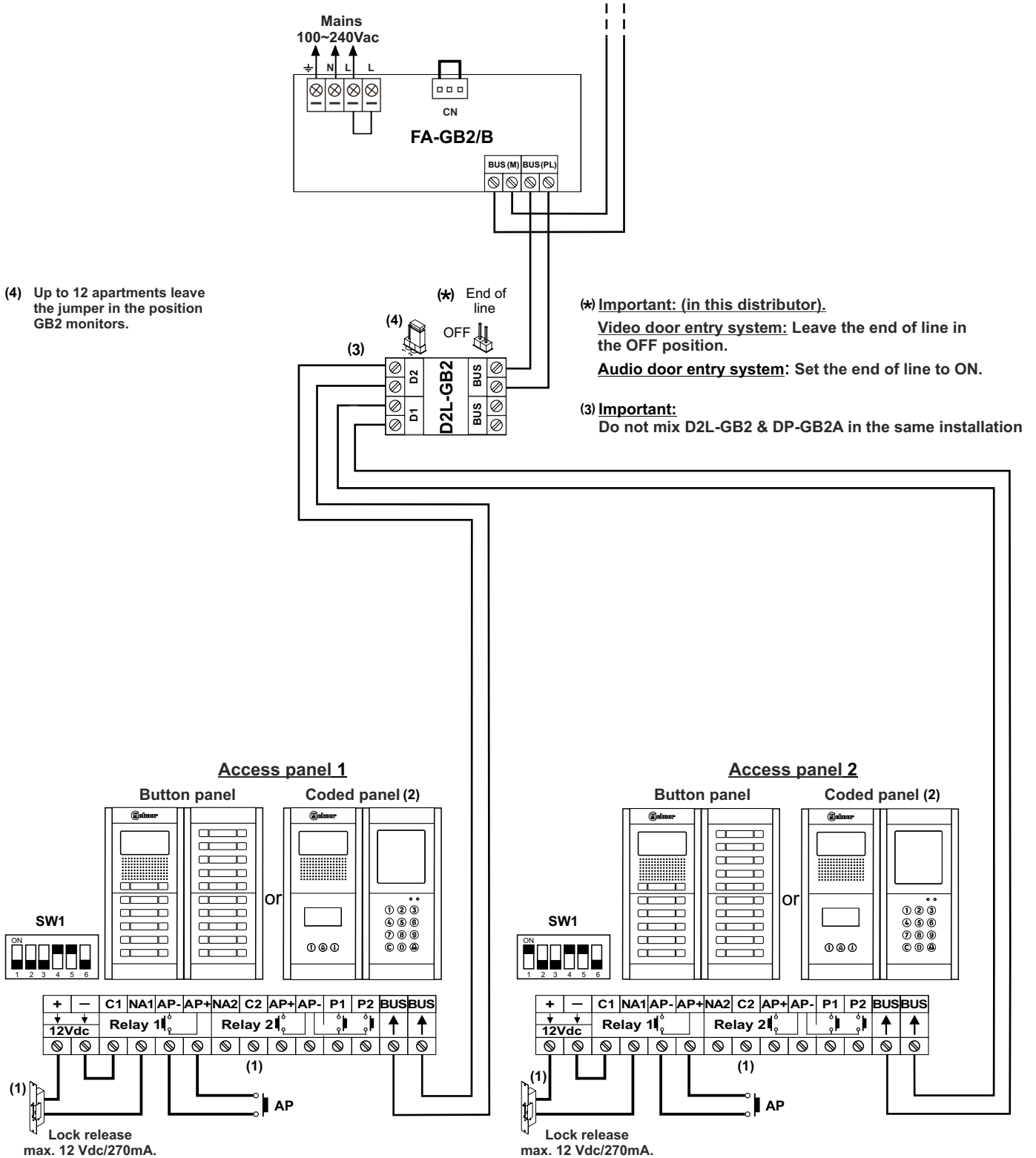
**Important:**

- (\*) For the connection of an AC lock release or a 2nd lock release, see page 44.
- (1) For more information about the NHEA hands-free audio terminal, see the Quick Guide enclosed with its corresponding product.
- (2) For more information about the coded panel, see the Quick Guide enclosed with the N3301 GB2/N3401 GB2 module.

## WIRING DIAGRAMS:

### Video door entry system with 2 access panels, D2L-GB2 distributor for door panels and Golmar d.c. lock release.

Video door entry system: (3) To the distributors (building floors)  
 Audio door entry system: To the telephones (building floors)



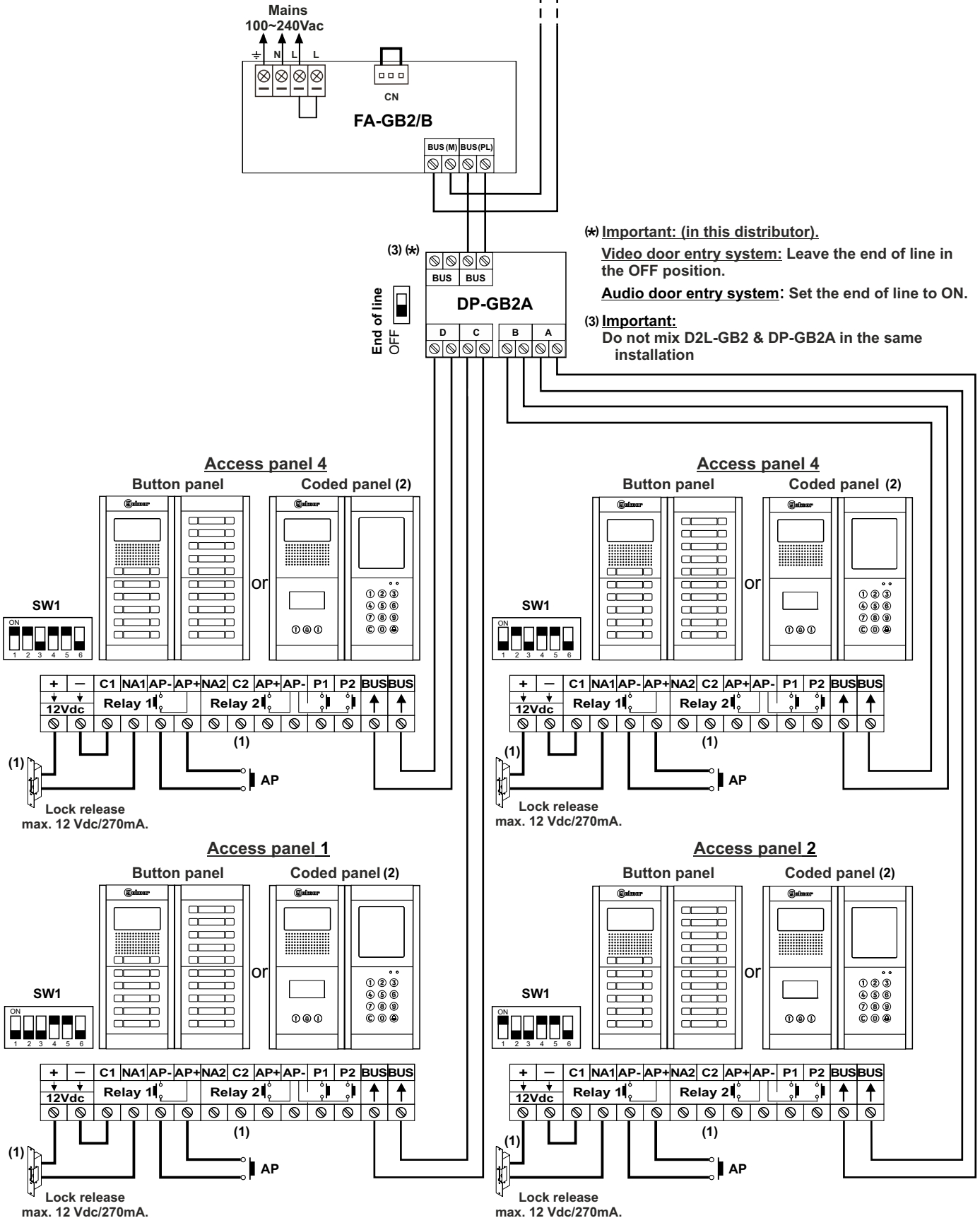
(1) Important: For the connection of an AC lock release or a 2nd lock release, see page 44.

(2) Important: For more information about the coded panel, see the Quick Guide enclosed with the N3301 GB2/N3401 GB2 module.

## WIRING DIAGRAMS:

Video door entry system with 4 access panels, DP-GB2A distributor for door panels and Golmar d.c. lock release.

**Video door entry system:** (3) To the distributors (building floors)  
**Audio door entry system:** To the telephones (building floors)



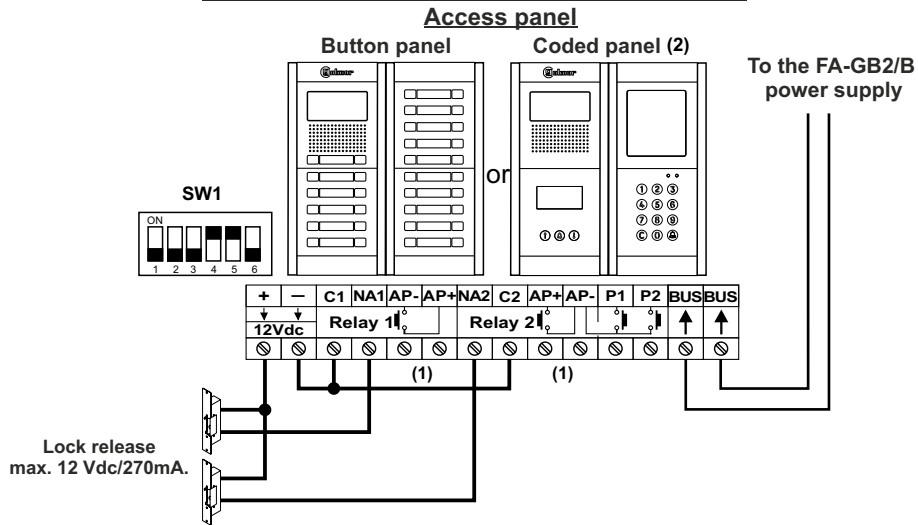
**(1) Important:** For the connection of an AC lock release or a 2nd lock release, see page 44.

**(2) Important:** For more information about the coded panel, see the Quick Guide enclosed with the N3301 GB2/N3401 GB2 module.

WIRING DIAGRAMS:

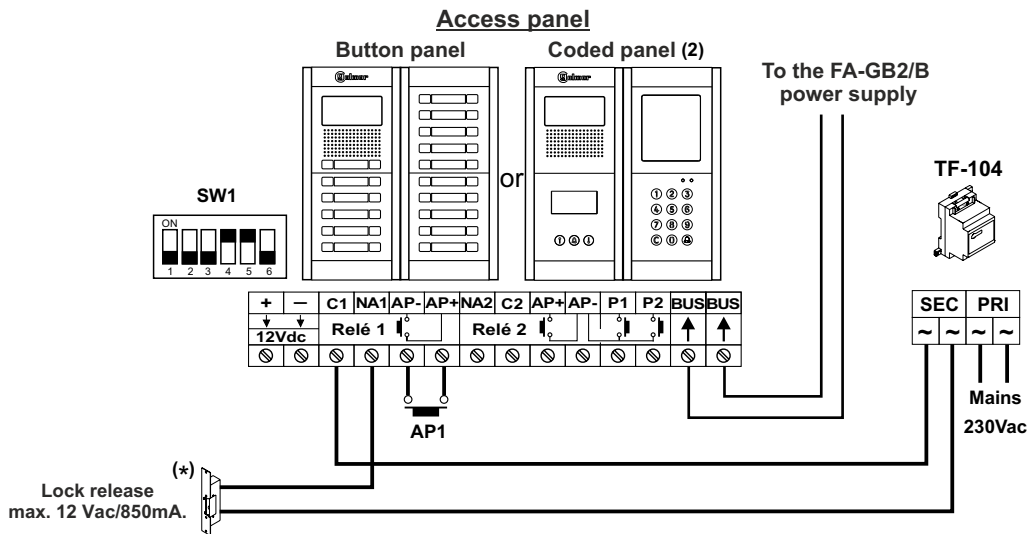
Connection of Golmar d.c. and a.c. lock releases.

Connection of 2 DC lock releases without "AP":



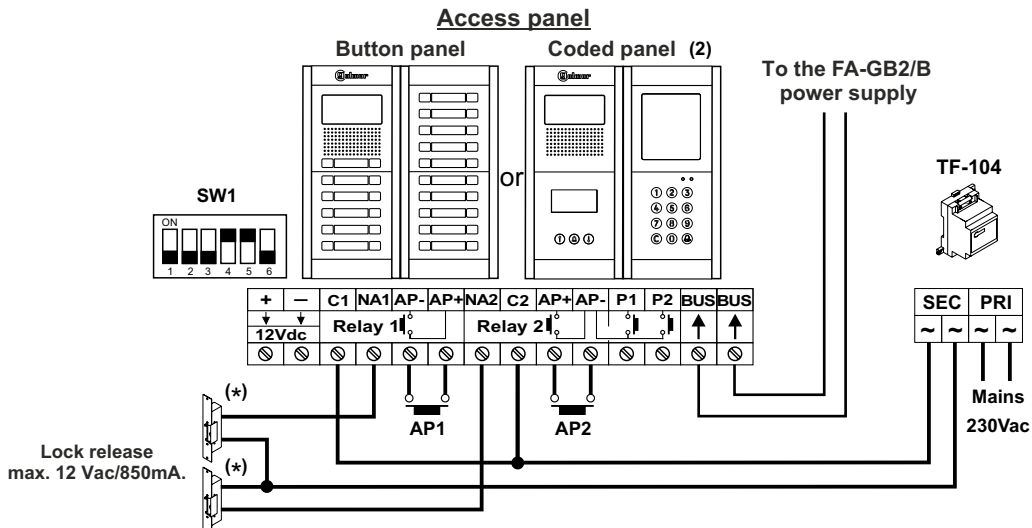
(1) Important: With 2 d.c. lock releases, it is not possible to use the "AP" door release buttons.

Connection of 1 AC lock release with "AP":



(\*) Important: Place the varistor supplied with the sound module directly onto the terminals of the lock release.

Connection of 2 AC lock release with "AP":



(\*) Important: Place the varistors supplied with the sound module directly onto the terminals of the lock release.

(2) Important: For more information about the coded panel, see the Quick Guide enclosed with the N3301 GB2/N3401 GB2 module.





golmar@golmar.es  
www.golmar.es

GOLMAR S.A.  
C/ Silici, 13  
08940- Cornellá de Llobregat  
SPAIN



Golmar se reserva el derecho a cualquier modificación sin previo aviso.  
Golmar se réserve le droit de toute modification sans préavis.  
Golmar reserves the right to make any modifications without prior notice.