

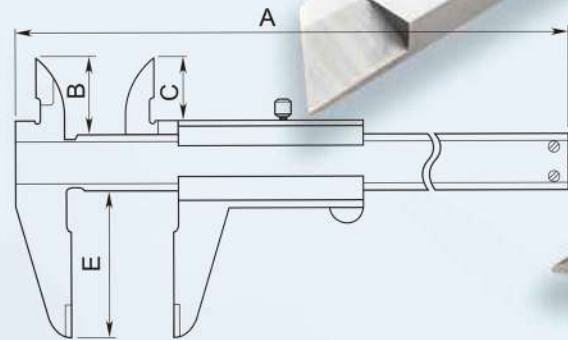


CALIPER

BORN IN ITALY, RAISED BY THE WORLD

MONOBLOCK VERNIER CALIPER

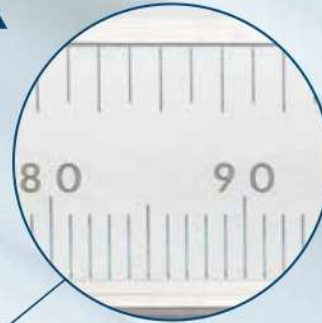
- Strictly made in accordance with DIN862
- Supplied in fitted solid ABS case and warranty card in it



Unit:mm

Code	Range	Graduation	A	B	C	D	E	Accuracy
1120-3114	0-100/0-4"	0.05/1/128"	160	18	13.5	12	30	0.05
1120-3115	0-150/0-6"	0.05/1/128"	235	21	16.5	16	40	0.05
1120-3116	0-160/0-6.3"	0.05/1/128"	238	23	17.5	15.5	40	0.05
1120-3120	0-200/0-8"	0.05/1/128"	298	24	19.5	16	50	0.05
1120-3130	0-300/0-12"	0.05/1/128"	410	28	22	20	64	0.05
1380-3004	0-100/0-4"	0.02/1/128"	160	18	13.5	12	30	0.03
1380-3005	0-150/0-6"	0.02/0.001"	235	21	16.5	16	40	0.03
1380-3006	0-160/0-6.3"	0.02/0.001"	238	23	17.5	15.5	40	0.03
1380-3010	0-200/0-8"	0.02/0.001"	298	24	19.5	16	50	0.03
1380-3015	0-300/0-12"	0.02/0.001"	410	28	22	20	64	0.03

- Distinct lines and figures laser etched on satin chrome finish beam



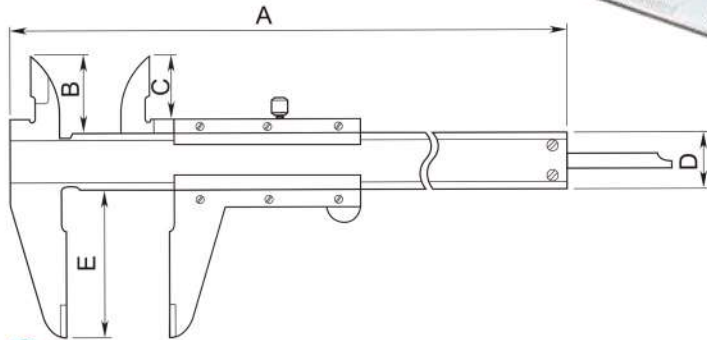
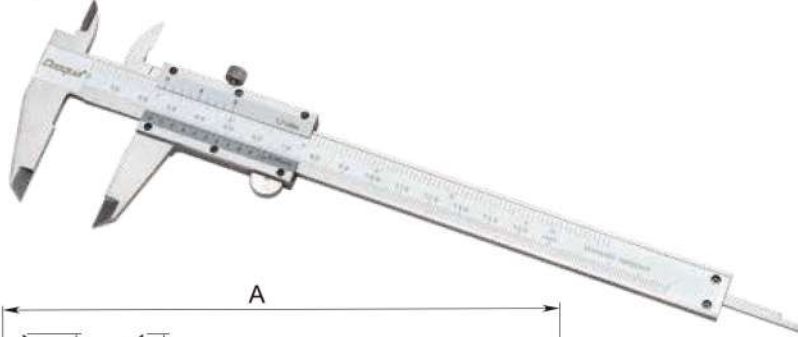
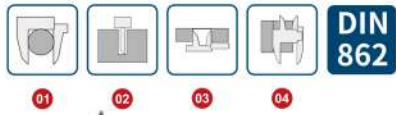
- Surfaces of beam ground (Parallelism less than 0.015, 20% better than normal) to ensure smooth movement throughout



- Jaws ground to raise the accuracy of measurement



VERNIER CALIPER

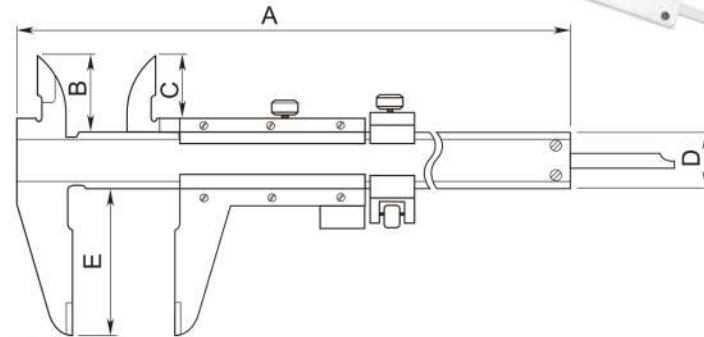
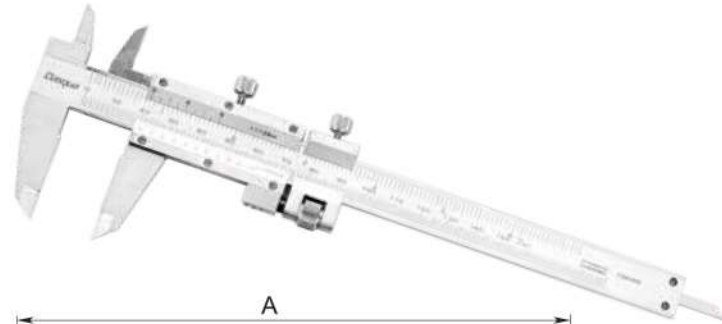


- 4 usages for measuring outside diameter, inside diameter, step and depth
- Made of solid stainless steel
- Strictly made in accordance with DIN862
- Distinct lines and figures etched against satin chrome finish
- With locking screw for stable reading

Unit:mm

Code	Range	Graduation	A	B	C	D	E	Accuracy
1110-3114	0-100/0-4"	0.05/1/128"	160	18	13.5	12	30	0.05
1110-3115	0-150/0-6"	0.05/1/128"	235	21	16.5	16	40	0.05
1110-3120	0-200/0-8"	0.05/1/128"	298	24	19.5	16	50	0.05
1110-3130	0-300/0-12"	0.05/1/128"	410	26	20	18	55	0.05
1550-2004	0-100/0-4"	0.02/0.001"	160	18	13.5	12	30	0.03
1550-2005	0-150/0-6"	0.02/0.001"	235	21	16.5	16	40	0.03
1550-2010	0-200/0-8"	0.02/0.001"	298	24	19.5	16	50	0.03
1550-2015	0-300/0-12"	0.02/0.001"	410	26	20	18	55	0.03

VERNIER CALIPER



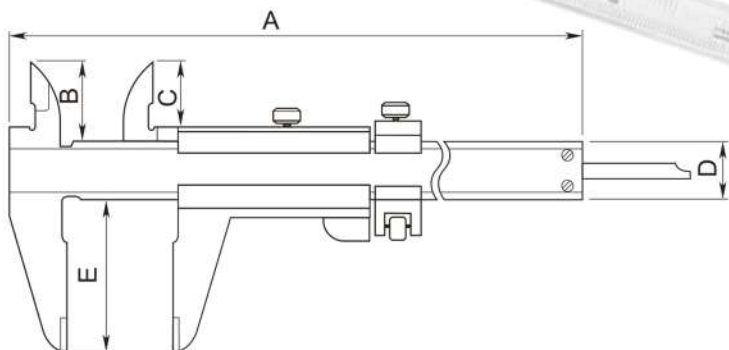
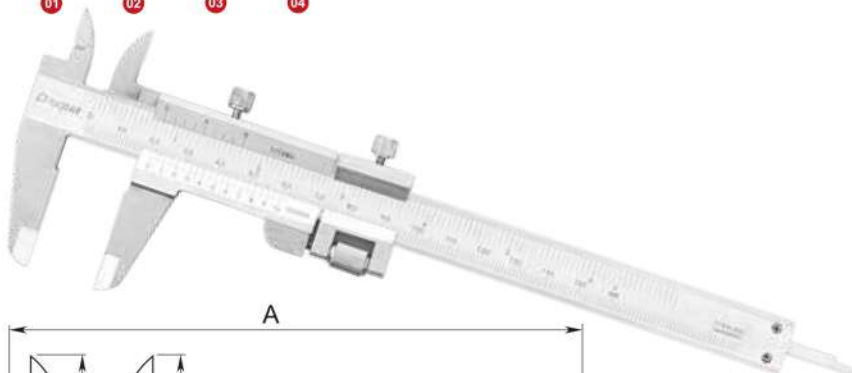
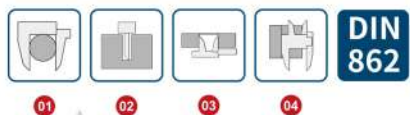
- 4 usages for measuring outside diameter, inside diameter, step and depth
- Made of solid stainless steel
- Strictly made in accordance with DIN862
- Distinct lines and figures etched against satin chrome finish
- With locking screw for stable reading
- With fine adjustment

Unit:mm

Code	Range	Graduation	A	B	C	D	E	Accuracy
1210-3105	0-150/0-6"	0.05/1/128"	235	21	16.5	16	40	0.05
1210-3110	0-200/0-8"	0.05/1/128"	298	24	19.5	16	50	0.05
1210-3115	0-300/0-12"	0.05/1/128"	410	26	20	18	55	0.05
1490-7005	0-150/0-6"	0.02/0.001"	235	21	16.5	16	40	0.03
1490-7010	0-200/0-8"	0.02/0.001"	298	24	19.5	16	50	0.03
1490-7015	0-300/0-12"	0.02/0.001"	410	26	20	18	55	0.03

MONOBLOCK VERNIER CALIPER

WITH FINE ADJUSTMENT



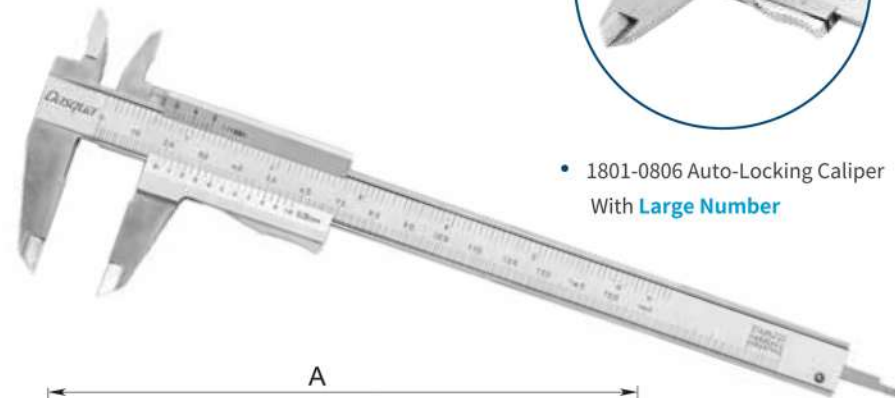
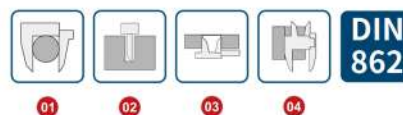
- 4 usages for measuring outside diameter, inside diameter, step and depth
- Made of solid stainless steel
- Strictly made in accordance with DIN862
- Distinct lines and figures etched against satin chrome finish
- With locking screw for stable reading
- With fine adjustment
- Monoblock structure

Unit:mm

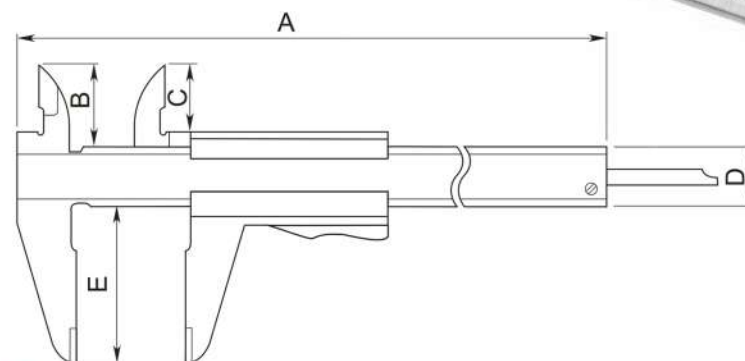
Code	Range	Graduation	A	B	C	D	E	Accuracy
1220-3105	0-150/0-6"	0.05/1/128"	235	21	16.5	16	40	0.05
1220-3110	0-200/0-8"	0.05/1/128"	298	24	19.5	16	50	0.05
1220-3115	0-300/0-12"	0.05/1/128"	410	28	22	20	64	0.05
1560-7005	0-150/0-6"	0.02/0.001"	235	21	16.5	16	40	0.03
1560-7010	0-200/0-8"	0.02/0.001"	298	24	19.5	16	50	0.03
1560-7015	0-300/0-12"	0.02/0.001"	410	28	22	20	64	0.03

MONOBLOCK VERNIER CALIPER

WITH AUTO-LOCKING



- 1801-0806 Auto-Locking Caliper With Large Number



- The whole blade of the beam is vacuum hardened with uniform hardness, guaranteeing wear-resistance and longer service life
- The upper and lower parts of the ruler are precisely ground to ensure smooth use
- Strictly in accordance with DIN862 standard
- Made of high quality stainless steel

Unit:mm

Code	Range	Graduation	A	B	C	D	E	Accuracy
1801-0810	0-150/0-6"	0.05/1/128"	235	21	16.5	16	40	0.05
1801-0809	0-150/0-6"	0.02/0.001"	235	21	16.5	16	40	0.03
1801-0806	0-150	0.05	235	21	16.5	16	40	0.05



CALIPER CALIBRATION

GAUGE BLOCK SET

DIN 861

MADE OF STEEL



- ⚙️ • Gauge block calibration set for calipers
- Made of steel
- ✂️ • Extremely wear resistance and corrosion resistance

Unit:mm

Code	Grade	Contents
6111-1204	1	1 each of gauge block 41.3,131.4;Setting ring Dia. 20.0,4.0
6112-1204	2	1 each of gauge block 41.3,131.4;Setting ring Dia. 20.0,4.0

CALIPER CALIBRATION

GAUGE BLOCK SET

DIN 861

MADE OF CERAMIC

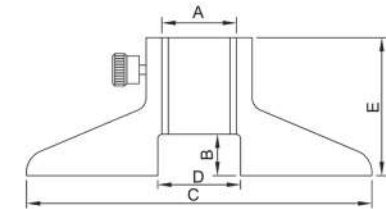


- ⚙️ • Gauge block calibration set for calipers
- Extremely wear resistance and corrosion resistance
- ✂️

Unit:mm

Code	Grade	Contents
6201-3505	1	1 each of gauge block 41.3,131.4;

DEPTH BASE ATTACHMENT



- ⚙️ • Increasing the stability of caliper measurement
- Made of solid stainless steel
- ✂️ • Measuring surfaces ground for ultimate accuracy

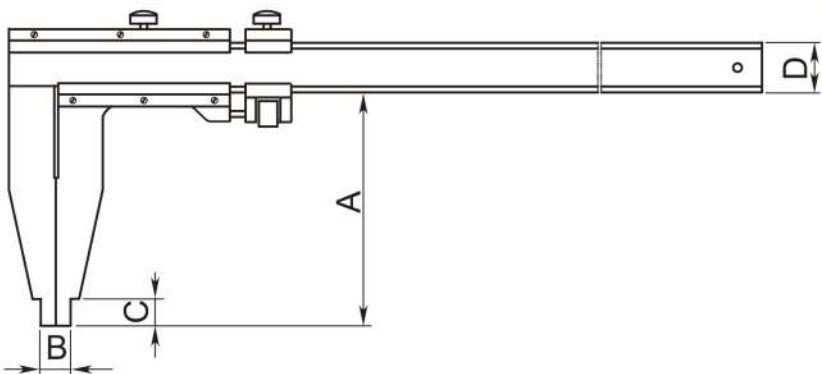
Unit:mm

Code	A	B	C	D	E	Application
3001-1001	16.5	9	75	18	30	Base Length 75mm,for width of the beam 16mm



VERNIER CALIPER

WITH NIB STYLE JAWS



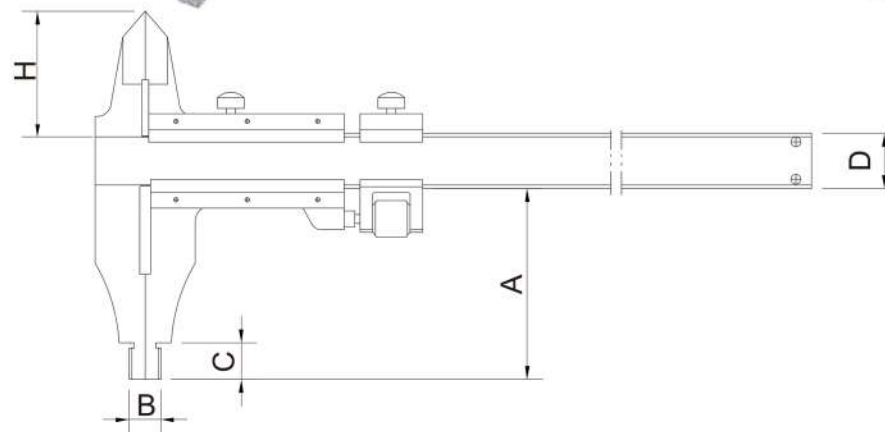
- With fine adjustment
- Hardened ground jaws with precision lapped measuring faces
- Satin chrome finish, hardened stainless steel throughout for longer life
- Distinct lines and figures etched against satin chrome finish

Unit:mm

Code	Range	Graduation	A	B	C	D	Accuracy
1300-0005	0-500/0-20"	0.02/0.001"	100	10	12	25	±0.05
1300-0006	0-500/0-20"	0.02/0.001"	150	10	12	32	±0.05
1300-0010	0-600/0-24"	0.02/0.001"	100	10	12	25	±0.05
1300-0011	0-600/0-24"	0.02/0.001"	150	10	12	32	±0.05
1300-0015	0-1000/0-40"	0.02/0.001"	125	20	18	32	±0.07
1300-0016	0-1000/0-40"	0.02/0.001"	200	20	18	32	±0.07
1300-0020	0-1500/0-60"	0.02/0.001"	150	30	20	41.5	±0.11
1300-0025	0-2000/0-80"	0.02/0.001"	200	30	20	52	±0.14

VERNIER CALIPER

WITH NIB STYLE&STANDARD JAWS



- With fine adjustment
- Hardened ground jaws with precision lapped measuring faces
- Satin chrome finish, hardened stainless steel throughout for longer life
- Distinct lines and figures etched against satin chrome finish

Unit:mm

Code	Range	Graduation	A	B	C	D	H	Accuracy
1300-0001	0-300/0-12"	0.02/0.001"	60	10	10	17	36.5	±0.04
1300-0002	0-500/0-20"	0.02/0.001"	100	10	12	25	55	±0.05
1300-0003	0-600/0-24"	0.02/0.001"	100	10	12	25	55	±0.05
1300-0004	0-1000/0-40"	0.02/0.001"	125	20	18	32	64	±0.07

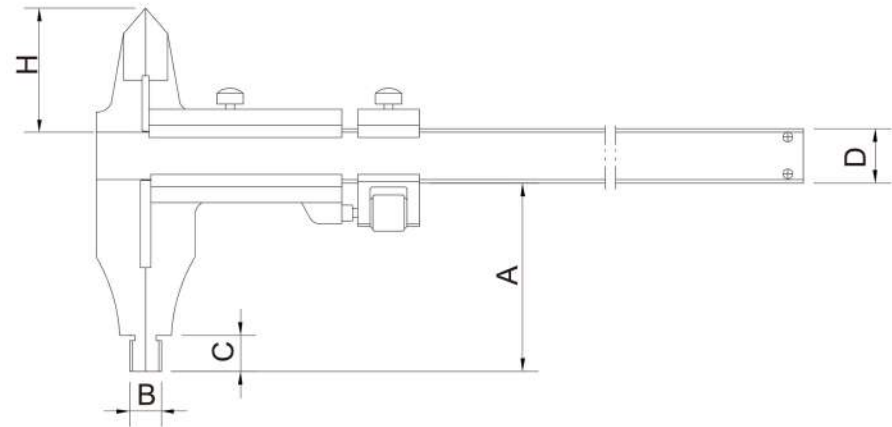
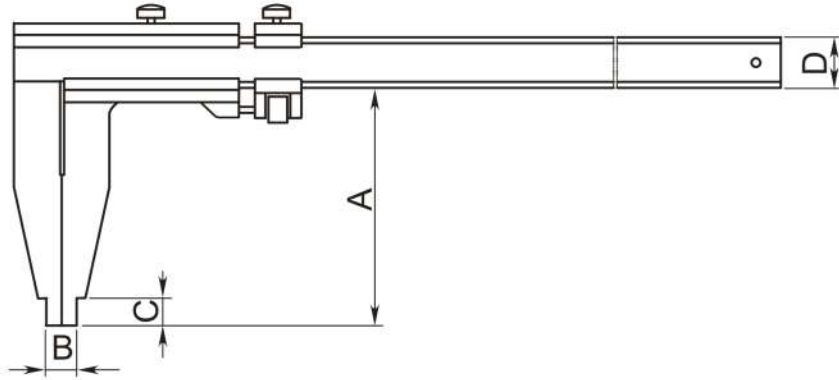
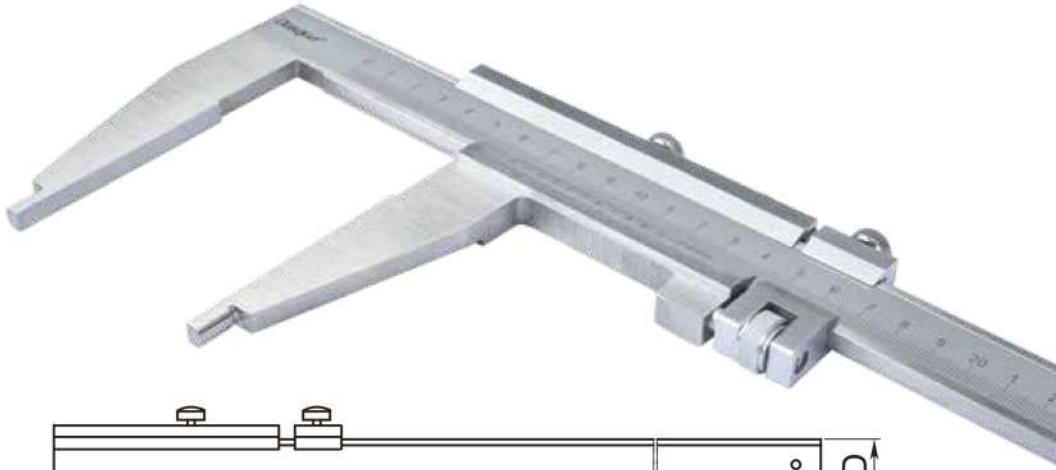


MONOBLOCK VERNIER CALIPER

WITH NIB STYLE JAWS

MONOBLOCK VERNIER CALIPER

WITH NIB STYLE&STANDARD JAWS



- With fine adjustment
- | • Hardened ground jaws with precision lapped measuring faces
- Satin chrome finish, hardened stainless steel throughout for longer life
- Distinct lines and figures etched against satin chrome finish

Unit:mm

Code	Range	Graduation	A	B	C	D	Accuracy
1310-0005	0-500/0-20"	0.02/0.001"	100	10	12	25	±0.05
1310-0006	0-500/0-20"	0.02/0.001"	150	10	12	32	±0.05
1310-0010	0-600/0-24"	0.02/0.001"	100	10	12	25	±0.05
1310-0011	0-600/0-24"	0.02/0.001"	150	10	12	32	±0.05
1310-0015	0-1000/0-40"	0.02/0.001"	125	20	18	32	±0.07
1310-0016	0-1000/0-40"	0.02/0.001"	200	20	18	32	±0.07
1310-0020	0-1500/0-60"	0.02/0.001"	150	20/30	20	32/41.5	±0.11
1310-0025	0-2000/0-80"	0.02/0.001"	200	20/30	20	52	±0.14

- With fine adjustment
- | • Hardened ground jaws with precision lapped measuring faces
- Satin chrome finish, hardened stainless steel throughout for longer life
- Distinct lines and figures etched against satin chrome finish

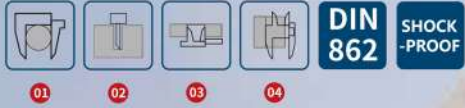
Unit:mm

Code	Range	Graduation	A	B	C	D	H	Accuracy
1305-0001	0-300/0-12"	0.02/0.001"	60	10	10	17	36.5	±0.04
1305-0002	0-500/0-20"	0.02/0.001"	100	10	12	25	55	±0.05
1305-0003	0-600/0-24"	0.02/0.001"	100	10	12	25	55	±0.05
1305-0004	0-1000/0-40"	0.02/0.001"	125	20	18	32	64	±0.07



Made in Europe

DIAL CALIPER PRIME



DIN 862
SHOCK-PROOF

- Precision ground racks
Top quality inner works with unique precision ground racks

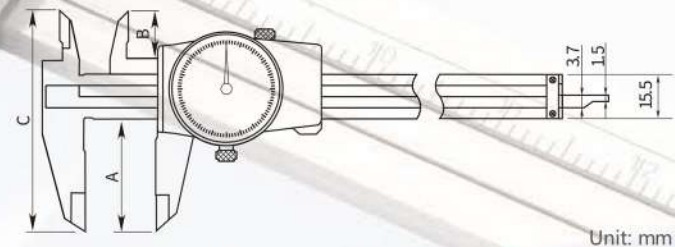
Dasqua B1u

- Metal housing improving its shock-proof ability



- Dial is entirely sealed and chrome-plated, improving protective ability.

- Jaws ground to raise the accuracy of measurement



Unit: mm

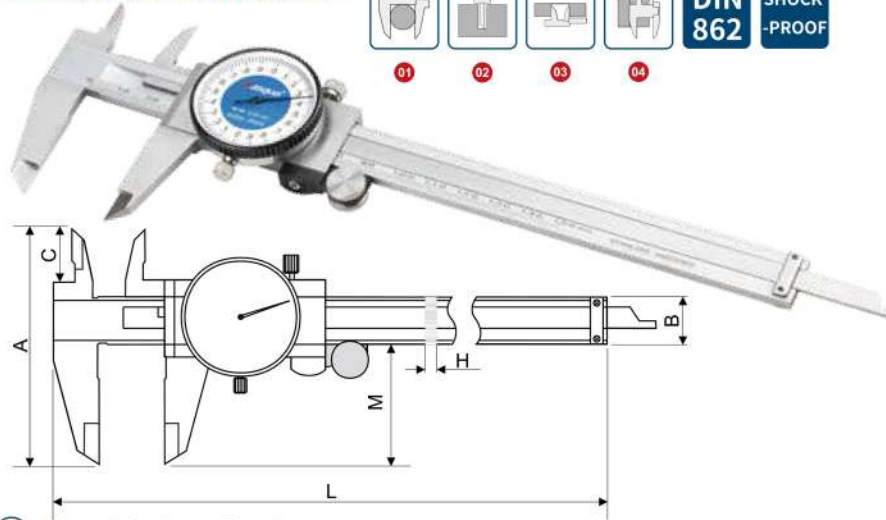
Code	Range	Graduation	A	B	C	Accuracy
1360-3005-A	0-150	0.01	40	13	74	0.02
1360-3010-A	0-200	0.01	50	18.6	89.5	0.03
1360-3015-A	0-300	0.01	64	20.6	105.5	0.03
1360-3205-A	0-150	0.02	40	13	74	0.02
1360-3210-A	0-200	0.02	50	18.6	89.5	0.03
1360-3215-A	0-300	0.02	64	20.6	105.5	0.03

DIAL CALIPER

DOUBLE SHOCK-PROOF



DIN 862 SHOCK-PROOF



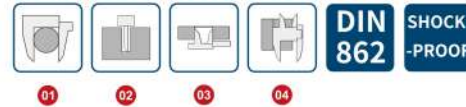
- Tough shock-proof gearing
- 4 usages for measuring outside diameter, inside diameter step and depth
- Made of solid stainless steel
- Strictly made in accordance with DIN862
- Distinct lines and figures laser etched against satin chrome finish
- With locking screw for stable reading
- Large dial for easy and clear reading

Unit:mm

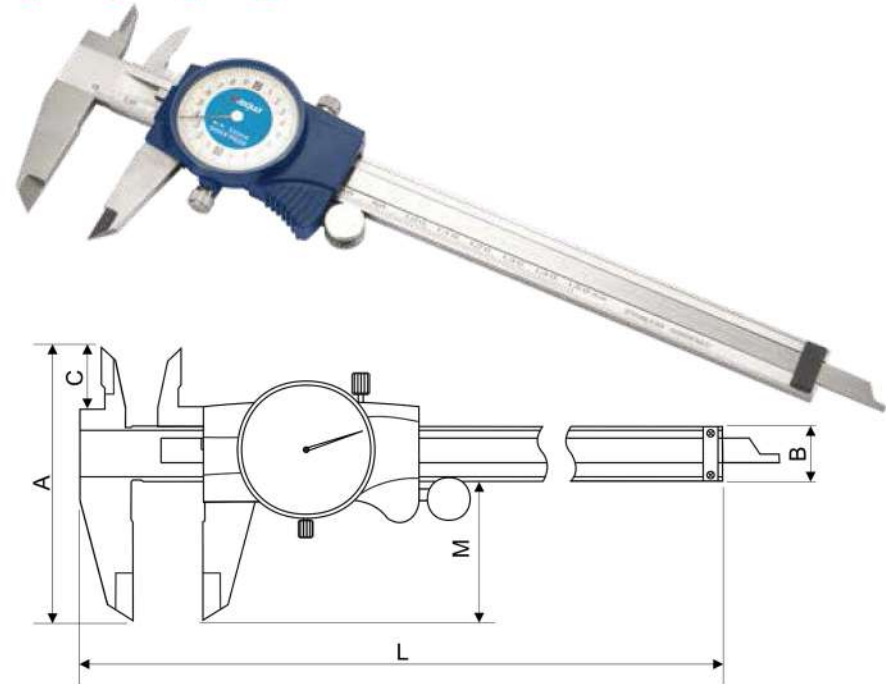
Code	Range	Graduation	L	A	B	C	H	M	Accuracy
1331-2110	0-100	0.02	166.5	62	13.5	13.8	3.3	30	±0.02
1331-2115	0-150	0.02	236	77	16	16.5	3.5	40	±0.03
1331-2120	0-200	0.02	285	88	16	19.5	3.5	48	±0.03
1331-2130	0-300	0.02	410	110	20	22.5	4.0	62	±0.04
1350-5004	0-100	0.01	166.5	62	13.5	13.8	3.3	30	±0.02
1350-5005	0-150	0.01	236	77	16	16.5	3.5	40	±0.03
1350-5010	0-200	0.01	285	88	16	19.5	3.5	48	±0.03
1350-5015	0-300	0.01	410	110	20	22.5	4.0	62	±0.04
1332-4105	0-4"	0.001"	166.5	62	13.5	13.8	3.3	30	±0.001"
1332-4110	0-6"	0.001"	236	77	16	16.5	3.5	40	±0.001"
1332-4115	0-8"	0.001"	285	88	16	19.5	3.5	48	±0.001"
1332-4120	0-12"	0.001"	410	110	20	22.5	4.0	62	±0.0015"

DIAL CALIPER

WITH DUSTPROOF SHIELD



DIN 862 SHOCK-PROOF

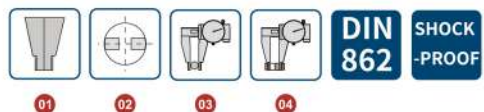


- 4 usages for measuring outside diameter, inside diameter step and depth
- Strictly made in accordance with DIN862
- With locking screw for stable reading
- Large dial for easy and clear reading
- With dustproof shield for easy holding

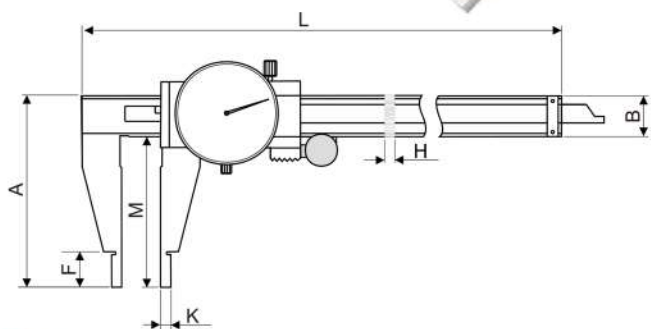
Unit:mm

Code	Range	Graduation	L	A	B	C	M	Accuracy
1345-0105	0-150	0.02	236	77	16	16.5	40	±0.03
1345-0110	0-200	0.02	285	88	16	19.5	48	±0.03
1345-0115	0-300	0.02	410	110	20	22.5	62	±0.04

HEAVY DUTY DIAL CALIPER



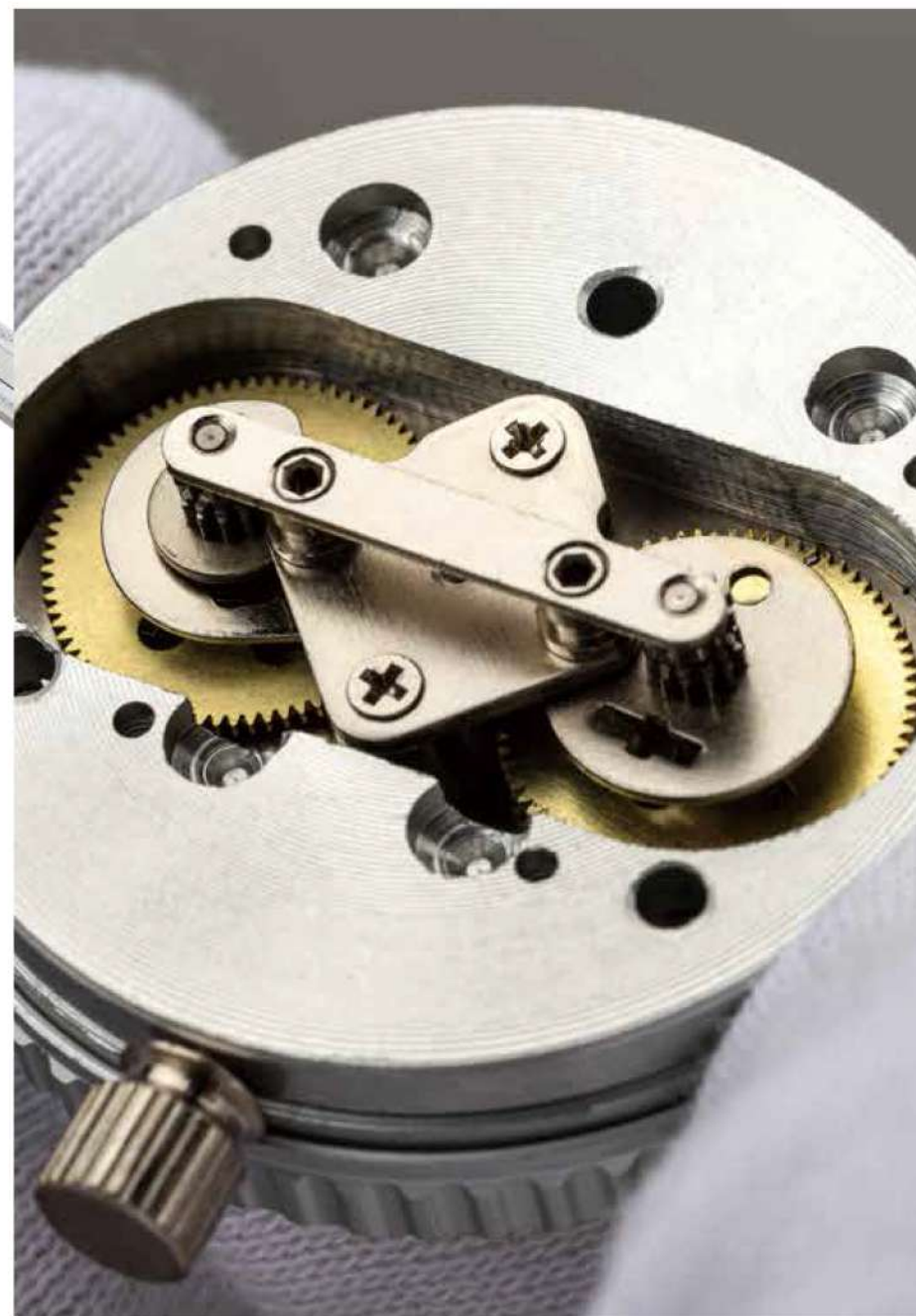
DIN 862 **SHOCK-PROOF**



- Tough shock-proof gearing
- | • 4 usages for measuring outside diameter, inside diameter, step and depth
- Made of solid stainless steel
- | • Strictly made in accordance with DIN862
- Distinct lines and figures laser etched against satin chrome finish
- | • With locking screw for stable reading
- | • Extra rigid beam for high stability

Unit:mm

Code	Range	Graduation	L	A	B	F	H	K	M	Accuracy
1431-2105	0-450	0.02	580	108	22	20	6.0	5	86	±0.05
1431-2110	0-500	0.02	630	108	22	20	6.0	5	86	±0.05
1431-2115	0-600	0.02	730	108	22	20	6.0	5	86	±0.05
1431-2120	0-1000	0.02	1200	168	28	22	8.0	10	140	±0.07
1432-4105	0-18"	0.001"	580	108	22	20	6.0	5	86	±0.002"
1432-4110	0-20"	0.001"	630	108	22	20	6.0	5	86	±0.002"
1432-4115	0-24"	0.001"	730	108	22	20	6.0	5	86	±0.002"
1432-4120	0-40"	0.001"	1200	168	28	22	8.0	10	140	±0.0025"



OIL & WATER PROOF DIGITAL CALIPER

Dasqua Blu



- Not only IP67 against water and dust, but also good oil proof ability



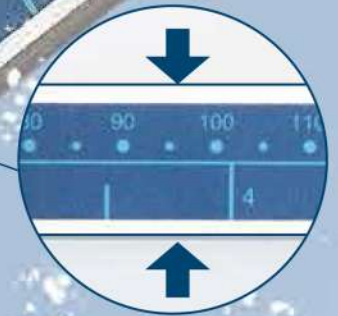
Digit Size: 11.5mm

- 20% larger than normal screens; Larger size digital screen for easy reading

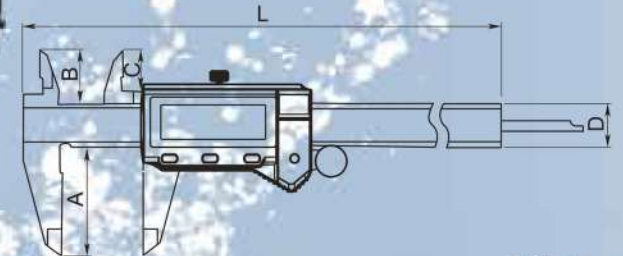
- Electronic components sealed to improve its anti-liquid ability



- Jaws ground to raise the accuracy of measurement



- Surfaces of beam ground (Parallelism less than 0.015, 20% better than normal) to ensure smooth movement throughout

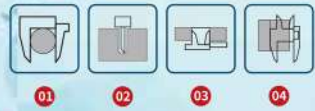


Unit:mm

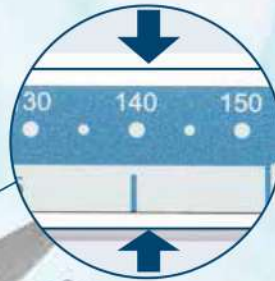
Code	Range	Resolution	A	B	C	D	L	Accuracy
2015-1005-A	0-150/0-6"	0.01/0.0005"/1/128"	40	20	15.5	16	235	0.02/0.001"
2015-1010-A	0-200/0-8"	0.01/0.0005"/1/128"	50	24	19.5	16	287	0.03/0.0015"
2015-1015-A	0-300/0-12"	0.01/0.0005"/1/128"	60	26	21.5	16	390	0.03/0.0015"



BIG SCREEN DIGITAL CALIPER



• Special glass grating adapted

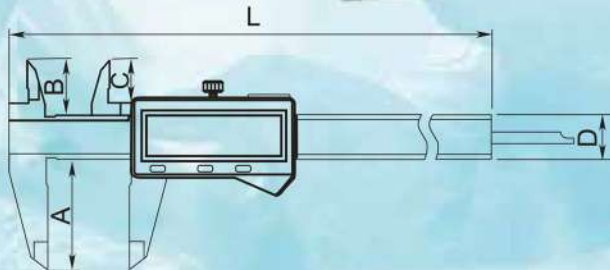


• Surfaces of beam ground (Parallelism:0.015) to ensure smooth movement throughout



Digit Size:11.5mm

• Surfaces of beam ground (Parallelism less than 0.015, 20% better than normal) to ensure smooth movement throughout

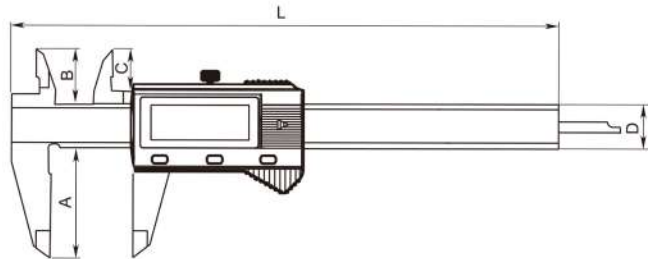
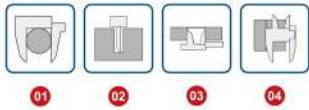


• With fractional function

Unit:mm

Code	Range	Resolution	A	B	C	D	L	Accuracy
1804-1065	0-150/0-6"	0.01/0.0005"/1/128"	40	20	15.5	16	235	0.02/0.001"
1804-1070	0-200/0-8"	0.01/0.0005"/1/128"	50	24	19.5	16	287	0.03/0.0015"
1804-1075	0-300/0-12"	0.01/0.0005"/1/128"	60	26	21.5	16	390	0.03/0.0015"

MINI DIGITAL CALIPER



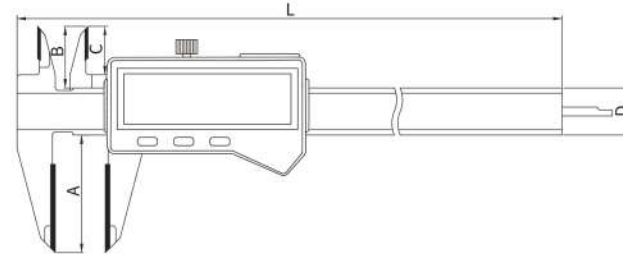
- Mini model for great portability
- Made of solid stainless steel
- Strictly made in accordance with DIN862

Unit:mm

Code	Range	Resolution	A	B	C	D	L	Accuracy
2050-0005	0-100/0-4"	0.01/0.0005"	30	17	12	13	170	0.02/0.001"

DIGITAL CALIPER

WITH CARBIDE-TIPPED JAW



- Used to measure outside diameter, inside diameter, step and depth measurement and also for scribing
- Carbide tipped measuring faces making scribing clear and ensuring abrasive resistance
- Strictly made in accordance with DIN862
- Hardened, ground and lapped measuring surfaces for longer service life
- Measuring surfaces ground for ultimate accuracy and smooth throughout

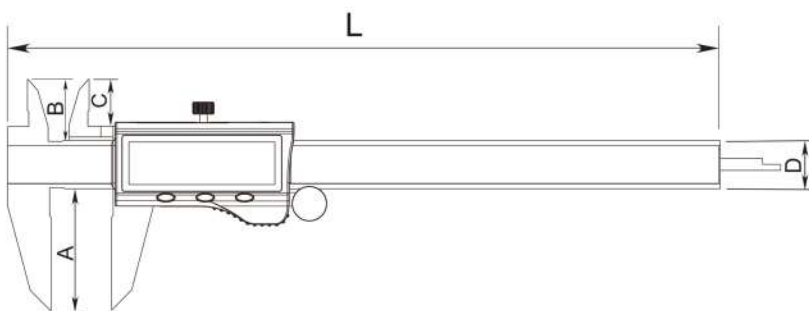
Unit:mm

Code	Range	Resolution	A	B	C	D	L	Accuracy
2406-1005	0-150/0-6"	0.01/0.0005"	40	21	16.5	16	236	±0.03
2406-1010	0-200/0-8"	0.01/0.0005"	50	24	19.5	16	286	±0.03
2406-1015	0-300/0-12"	0.01/0.0005"	60	26	21.5	16	400	±0.04

METAL HOUSING DIGITAL CALIPER



Absolute
DIN 862
mm / in
Battery + CR2032



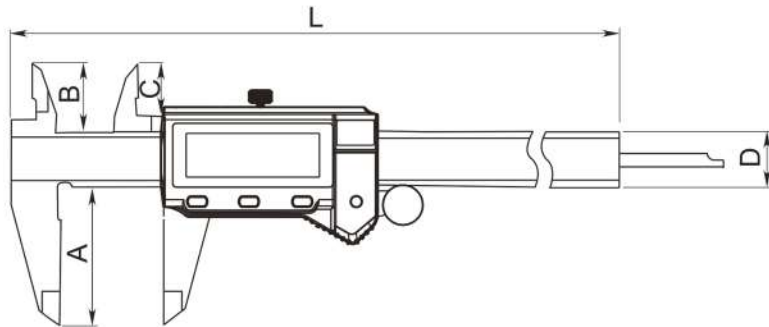
- With sturdy metal housing for high stability
- Made of solid stainless steel
- Stricly made in accordance with DIN862
- Hardened, ground and lapped measuring surfaces for longer service life

Unit:mm

Code	Range	Resolution	A	B	C	D	L	Accuracy
2115-2305	0-150/0-6"	0.01/0.0005"	40	20	15.5	16	235	0.02/0.001"
2115-2310	0-200/0-8"	0.01/0.0005"	50	24	19.5	16	287	0.03/0.0015"
2115-2315	0-300/0-12"	0.01/0.0005"	60	26	21.5	16	390	0.03/0.0015"



IP54 WATER PROOF DIGITAL CALIPER



- With calibration certificate
- | • Made of solid stainless steel
- Strictly made in accordance with DIN862
- | • IP54 protection against liquid
- Hardened, ground and lapped measuring surfaces for longer service life

Unit:mm

Code	Range	Resolution	A	B	C	D	L	Accuracy
2000-1005	0-150/0-6"	0.01/0.0005"/1/128"	40	20	15.5	16	235	0.02/0.001"
2000-1010	0-200/0-8"	0.01/0.0005"/1/128"	50	24	19.5	16	287	0.03/0.0015"
2000-1015	0-300/0-12"	0.01/0.0005"/1/128"	60	26	21.5	16	390	0.03/0.0015"

WITH ABSOLUTE FUNCTION

Unit:mm

Code	Range	Resolution	A	B	C	D	L	Accuracy
2010-1005	0-150/0-6"	0.01/0.0005"/1/128"	40	20	15.5	16	235	0.02/0.001"
2010-1010	0-200/0-8"	0.01/0.0005"/1/128"	50	24	19.5	16	287	0.03/0.0015"
2010-1015	0-300/0-12"	0.01/0.0005"/1/128"	60	26	21.5	16	390	0.03/0.0015"

WITH 0.005MM RESOLUTION

Unit:mm

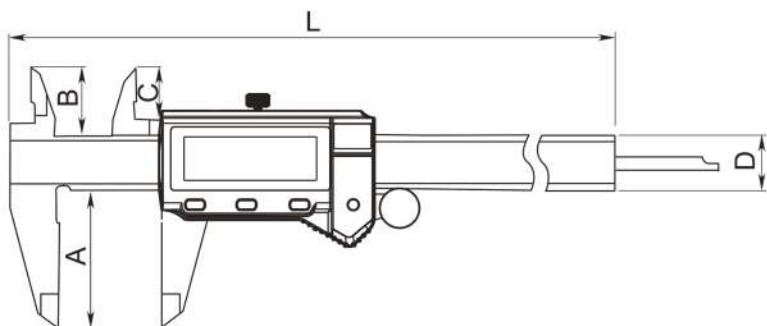
Code	Range	Resolution	A	B	C	D	L	Accuracy
2005-1005	0-150/0-6"	0.005/0.0005"	40	20	15.5	16	235	0.02/0.001"
2005-1010	0-200/0-8"	0.005/0.0005"	50	24	19.5	16	287	0.03/0.0015"
2005-1015	0-300/0-12"	0.005/0.0005"	60	26	21.5	16	390	0.03/0.0015"

WITH WIRELESS SYSTEM

Unit:mm

Code	Range	Resolution	A	B	C	D	L	Accuracy
2025-1005	0-150/0-6"	0.01/0.0005"/1/128"	40	20	15.5	16	235	0.02/0.001"
2025-1010	0-200/0-8"	0.01/0.0005"/1/128"	50	24	19.5	16	287	0.03/0.0015"
2025-1015	0-300/0-12"	0.01/0.0005"/1/128"	60	26	21.5	16	390	0.03/0.0015"

IP67 WATER PROOF DIGITAL CALIPER



- With calibration certificate
- Made of solid stainless steel
- Strictly made in accordance with DIN862
- With inductive measurement system
- Large easy-to-read LCD screen
- Glass grating adapted
- IP67 protection against liquid

Unit:mm

Code	Range	Resolution	A	B	C	D	L	Accuracy
2015-1005	0-150/0-6"	0.01/0.005"/1/128"	40	20	15.5	16	235	0.02/0.001"
2015-1010	0-200/0-8"	0.01/0.005"/1/128"	50	24	19.5	16	287	0.03/0.0015"
2015-1015	0-300/0-12"	0.01/0.005"/1/128"	60	26	21.5	16	390	0.03/0.0015"

WITH OIL PROOF ABILITY

Unit:mm

Code	Range	Resolution	A	B	C	D	L	Accuracy
2015-2405	0-150/0-6"	0.01/0.005"/1/128"	40	20	15.5	16	235	0.02/0.001"
2015-2410	0-200/0-8"	0.01/0.005"/1/128"	50	24	19.5	16	287	0.03/0.0015"
2015-2415	0-300/0-12"	0.01/0.005"/1/128"	60	26	21.5	16	390	0.03/0.0015"

WITH WIRELESS SYSTEM

Unit:mm

Code	Range	Resolution	A	B	C	D	L	Accuracy
2020-1005	0-150/0-6"	0.01/0.005"/1/128"	40	20	15.5	16	235	0.02/0.001"
2020-1010	0-200/0-8"	0.01/0.005"/1/128"	50	24	19.5	16	287	0.03/0.0015"
2020-1015	0-300/0-12"	0.01/0.005"/1/128"	60	26	21.5	16	390	0.03/0.0015"



IP54 WATER PROOF HEAVY DUTY DIGITAL CALIPER

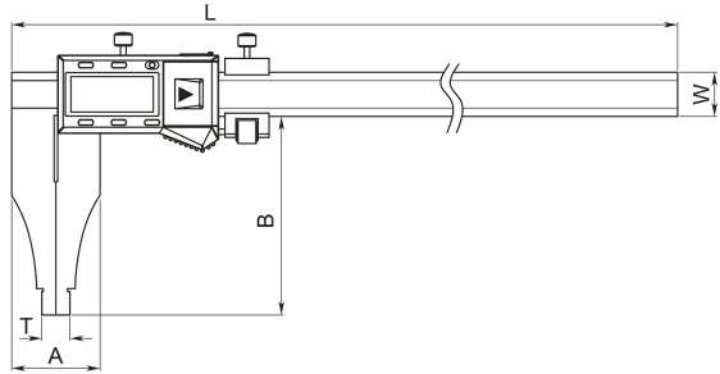


- With sturdy frame and big size for high stability
- Made of solid stainless steel
- Strictly made in accordance with DIN862
- With fine adjustment
- With Data-Output and Metric-Inch-Fraction Conversion function

EUROPEAN STYLE

Unit:mm

Code	Range	Resolution	L	A	B	W	T	Accuracy
2220-8105	0-300/0-12"	0.01/0.0005"	445	40	90	20	10	0.04/0.002"
2220-8110	0-500/0-20"	0.01/0.0005"	670	52	150	24	20	0.05/0.002"
2220-8115	0-1000/0-40"	0.01/0.0005"	1210	60	150	30	20	0.06/0.0025"



AMERICAN STYLE

Unit:mm

Code	Range	Resolution	L	A	B	W	T	Accuracy
2220-8113	0-300/0-12"	0.01/0.0005"	445	40	90	20	10(0.5")	0.04/0.002"
2220-8116	0-600/0-24"	0.01/0.0005"	770	44	100	24	20(0.8")	0.05/0.002"
2220-8119	0-1000/0-40"	0.01/0.0005"	1210	46	125	30	20(0.8")	0.06/0.0025"

WITH LARGE RANGE

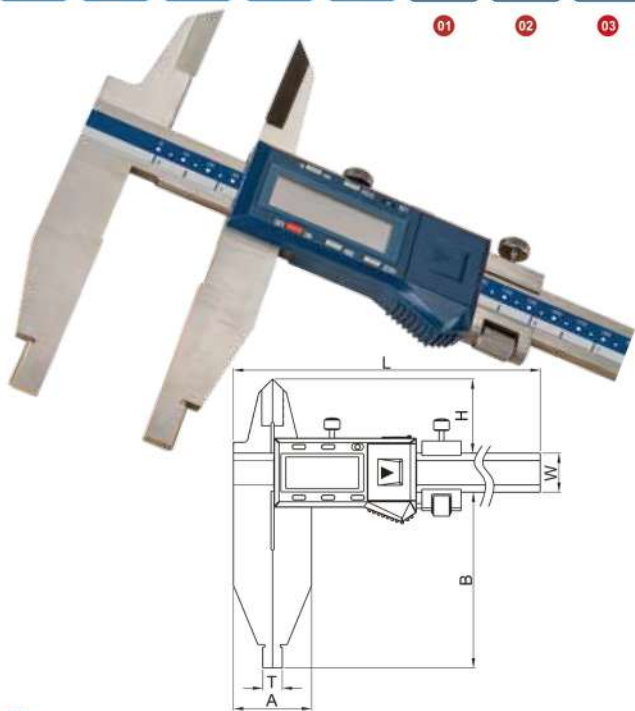
Unit:mm

Code	Range	Resolution	L	A	B	W	T	Accuracy
2220-3575	0-1500/0-60"	0.01/0.0005"	1800	80	125	41.5/52	20	0.11/0.0045"
2220-3580	0-2000/0-80"	0.01/0.0005"	2300	80	150	41.5/52	20	0.14/0.0055"



IP54 WATER PROOF HEAVY DUTY DIGITAL CALIPER

WITH UPPER JAWS



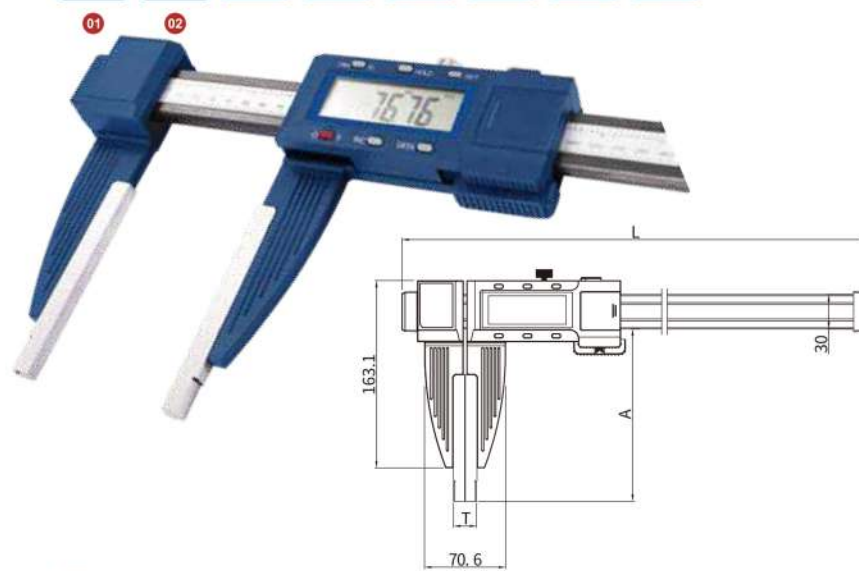
- With sturdy frame and big size for high stability
- Made of solid stainless steel
- Strictly made in accordance with DIN862
- With fine adjustment
- With Data-Output and Metric-Inch-Fraction Conversion function

Unit:mm

Code	Range	Resolution	L	A	B	W	T	H	Accuracy
2710-1105	0-300/0-12"	0.01/0.0005"	445	40	90	20	10	38	0.04/0.002"
2710-1110	0-500/0-20"	0.01/0.0005"	670	52	150	24	20	60	0.05/0.002"
2710-1113	0-600/0-24"	0.01/0.0005"	770	54	150	24	20	60	0.05/0.002"
2710-1115	0-1000/0-40"	0.01/0.0005"	1210	60	150	30	20	63	0.06/0.0025"

IP65 WATER PROOF ULTRA-LIGHT GIANT CALIPER

MADE OF CARBON FIBER & WITH WIRELESS SYSTEM



- Lightweight digital calipers employing Carbon Fiber Reinforced Plastics in the beam and jaws
- Non-conductive and especially made for the electronic and sensitive purposes
- Made of carbon fiber, guaranteeing lower weight and portability
- Made of carbon fiber, the results rarely affected by temperature
- With Inductive measurement system
- IP65 protection against water
- With data output and wireless transmission function

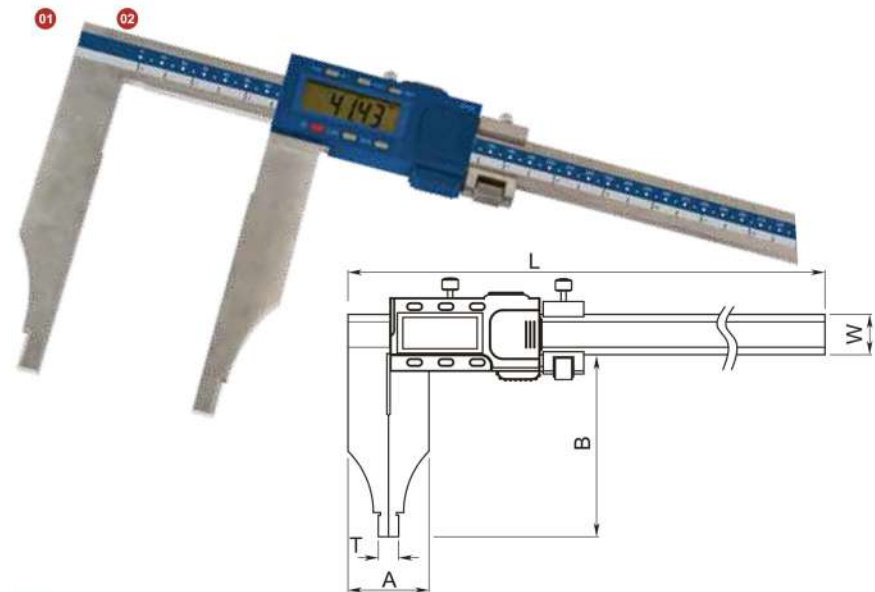
Unit:mm

Code	Range	Resolution	A	T	L	Accuracy
2810-0003	0-600/0-24"	0.01/0.0005"	100	20(0.8")	770	0.05/0.002"
2810-0004	0-800/0-32"	0.01/0.0005"	150	20(0.8")	970	0.06/0.0025"
2810-0005	0-1000/0-40"	0.01/0.0005"	150	20(0.8")	1226	0.06/0.0025"
2810-0010	0-1500/0-60"	0.01/0.0005"	200	20(0.8")	1736	0.09/0.0035"
2810-0015	0-2000/0-80"	0.01/0.0005"	300	20(0.8")	2246	0.012/0.005"



IP65 WATER PROOF HEAVY DUTY DIGITAL CALIPER

EUROPEAN STYLE

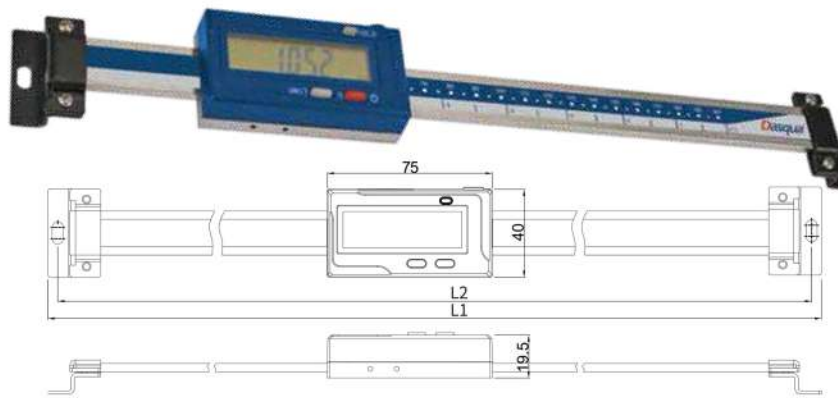


- With sturdy frame and big size for high stability
- Made of solid stainless steel
- Strictly made in accordance with DIN862
- With fine adjustment
- With Data-Output and Metric-Inch-Fraction Conversion function
- IP65 protection against liquid
- Product built-in wireless system is optional (Code: 2510-3115)

Unit:mm

Code	Range	Resolution	L	A	B	W	T	Accuracy
2320-1105	0-300/0-12"	0.01/0.0005"	445	40	90	20	10	0.03/0.0015"
2320-1106	0-500/0-20"	0.01/0.0005"	670	52	150	24	20	0.05/0.002"
2320-1110	0-600/0-24"	0.01/0.0005"	770	44	100	24	20	0.05/0.002"
2320-1115	0-1000/0-40"	0.01/0.0005"	1210	60	150	30	20	0.06/0.0025"
2510-3115	0-1000/0-40"	0.01/0.0005"	1210	60	150	30	20	0.06/0.0025"

IP67 WATER PROOF DIGITAL SCALE



- Used for improving the old-style machines
- Made of solid stainless steel, widened and thickened
- IP67 protection against liquid
- Super large LCD screen for easy reading
- With Hold and Metric-Inch-Fraction Conversion function, no need to set the reference point at every power-on

Unit:mm

Code	Range	Resolution	L1	L2	Accuracy
5810-3105	0-150/0-6"	0.01/0.0005"	286	277	0.02/0.001"
5810-3110	0-200/0-8"	0.01/0.0005"	326	317	0.03/0.0015"
5810-3115	0-300/0-12"	0.01/0.0005"	426	417	0.03/0.0015"
5810-3120	0-600/0-24"	0.01/0.0005"	746	737	0.05/0.005"
5810-3125	0-1000/0-40"	0.01/0.0005"	1146	1137	0.05/0.0025"

WITH WIRELESS SYSTEM

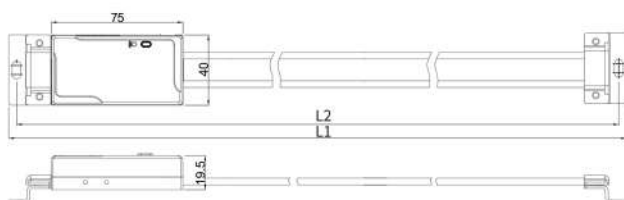
Unit:mm

Code	Range	Resolution	L1	L2	Accuracy
5810-7105	0-150/0-6"	0.01/0.0005"	286	277	0.02/0.001"
5810-7110	0-200/0-8"	0.01/0.0005"	326	317	0.03/0.0015"
5810-7115	0-300/0-12"	0.01/0.0005"	426	417	0.03/0.0015"
5810-7120	0-600/0-24"	0.01/0.0005"	746	737	0.05/0.005"
5810-7125	0-1000/0-40"	0.01/0.0005"	1146	1137	0.05/0.0025"

IP54 WATER PROOF

DIGITAL SCALE

WITH SEPARATE READOUT



- Used for improving the old-style machine
- | • Made of solid stainless steel, widened and thickened
- IP54 protection against liquid
- | • Super large separate LCD screen for easy and clear reading
- With Hold, Metric-Inch-Fraction Conversion and Absolute function, no need to set the reference point at every power-on

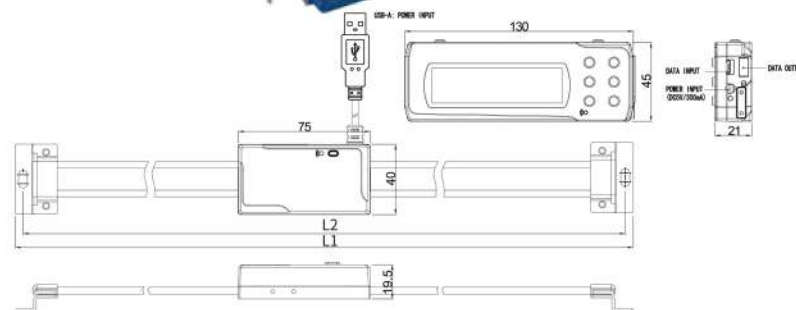
Unit:mm

Code	Range	Resolution	L1	L2	Accuracy
5810-4405	0-150/0-6"	0.01/0.0005"	286	277	0.02/0.001"
5810-4410	0-200/0-8"	0.01/0.0005"	326	317	0.03/0.0015"
5810-4415	0-300/0-12"	0.01/0.0005"	426	417	0.03/0.0015"
5810-4420	0-600/0-24"	0.01/0.0005"	746	737	0.05/0.002"
5810-4425	0-1000/0-40"	0.01/0.0005"	1146	1137	0.06/0.0025"

IP67 WATER PROOF

DIGITAL SCALE

WITH SEPARATE READOUT



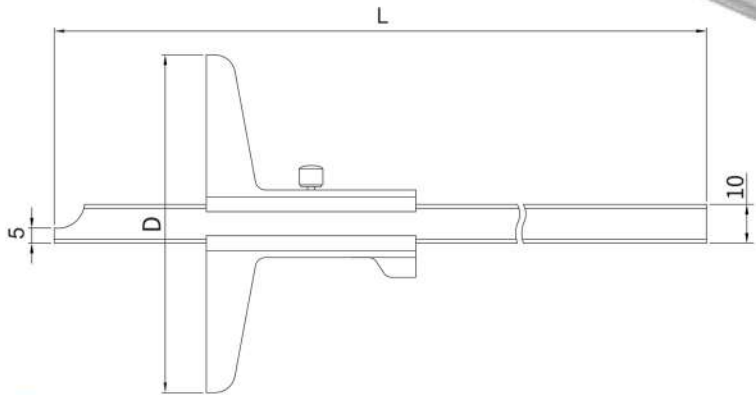
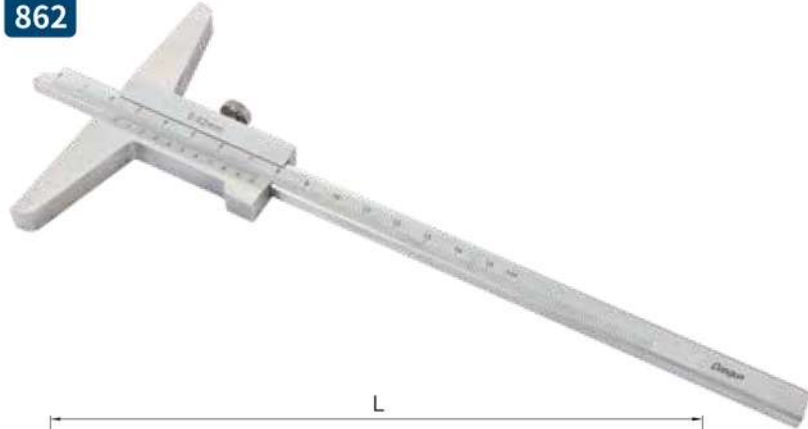
- Used for improving the old-style machine
- | • Made of solid stainless steel, widened and thickened
- IP67 protection against liquid
- | • Super large separate LCD screen for easy and clear reading
- With Hold, Metric-Inch-Fraction Conversion and Absolute function, no need to set the reference point at every power-on

Unit:mm

Code	Range	Resolution	L1	L2	Accuracy
5810-1105	0-150/0-6"	0.01/0.0005"	286	277	0.02/0.001"
5810-1110	0-200/0-8"	0.01/0.0005"	326	317	0.03/0.0015"
5810-1115	0-300/0-12"	0.01/0.0005"	426	417	0.03/0.0015"
5810-1120	0-600/0-24"	0.01/0.0005"	746	737	0.05/0.002"
5810-1125	0-1000/0-40"	0.01/0.0005"	1146	1137	0.06/0.0025"

MONOBLOCK DEPTH VERNIER GAUGE

**DIN
862**



- Hardened ground jaws with precision lapped measuring faces
- Satin chrome finish, hardened stainless steel throughout for longer life
- Distinct lines and figures etched against satin chrome finish

Unit:mm

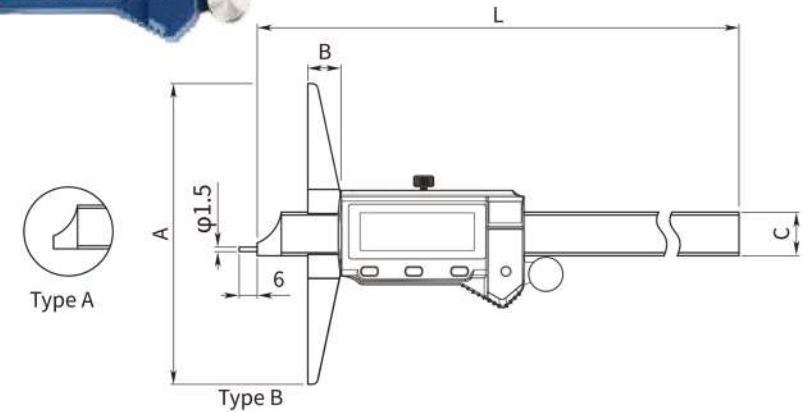
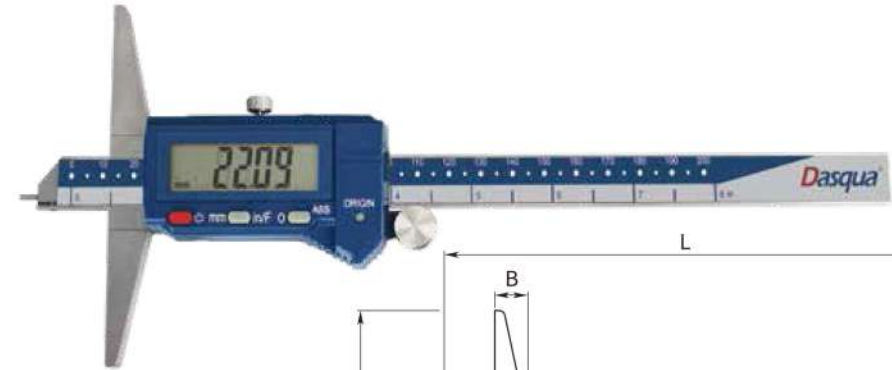
Code	Range	Graduation	L	D	Accuracy
3001-1901-A	0-150	0.02	250	100	±0.03
3001-1903-A	0-200	0.02	300	100	±0.03
3001-1905-A	0-300	0.02	400	100	±0.04
3001-2901-A	0-6"	0.0001"	250	100	±0.03
3001-2903-A	0-8"	0.0001"	300	100	±0.03
3001-2905-A	0-12"	0.0001"	400	100	±0.04

DIGITAL DEPTH CALIPER WITH ABSOLUTE FUNCTION









- Used to measure step and depth
- Made of solid stainless steel
- Strictly made in accordance with DIN862
- IP54 protection against liquid
- Hardened, ground and lapped measuring surfaces for longer service life
- With Absolute-Reference System and no need to set the reference point at every power-on

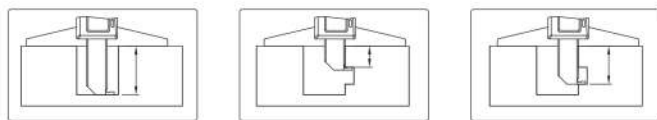
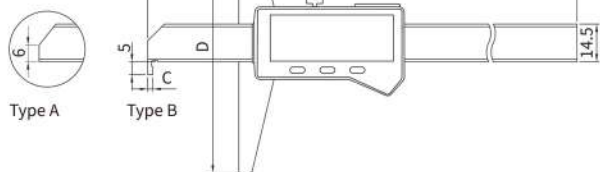
Unit:mm

Code	Range	Resolution	A	B	C	L	Style	Accuracy
2230-8105	0-150/0-6"	0.01/0.0005"	100	11	14.5	232.5	Type A	0.03/0.0015"
2230-8115	0-200/0-8"	0.01/0.0005"	100	11	14.5	285	Type A	0.03/0.0015"
2230-8125	0-300/0-12"	0.01/0.0005"	150	13.5	14.5	390	Type A	0.04/0.0015"
2250-2105	0-150/0-6"	0.01/0.0005"	100	11	14.5	232.5	Type B	0.03/0.0015"
2250-2110	0-200/0-8"	0.01/0.0005"	100	11	14.5	285	Type B	0.03/0.0015"
2250-2115	0-300/0-12"	0.01/0.0005"	150	13.5	14.5	390	Type B	0.04/0.0015"

DIGITAL DEPTH CALIPER

WITH BAR

Battery + CR2032
 DIN 862
 mm / in
 Data output



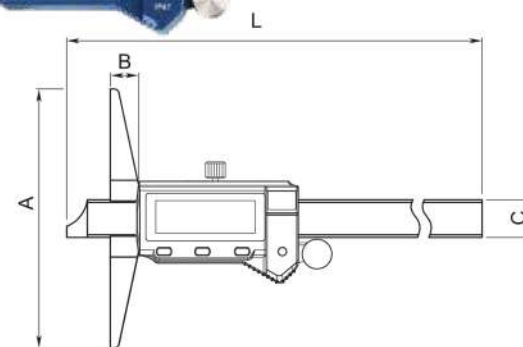
- Used to measure step and depth
- Made of solid stainless steel, widened and thickened
- Strictly made in accordance with DIN862
- Hardened, ground and lapped measuring surfaces for longer service life

Unit:mm

Code	Range	Resolution	A	C	L	Style	Accuracy
2001-2005	0-150/0-6"	0.01/0.0005"	100	/	230	Type A	±0.03
2001-2010	0-200/0-8"	0.01/0.0005"	100	/	280	Type A	±0.03
2001-2015	0-300/0-12"	0.01/0.0005"	100	/	380	Type A	±0.04
2001-1005	0-150/0-6"	0.01/0.0005"	100	2	230	Type B	±0.03
2001-1010	0-200/0-8"	0.01/0.0005"	100	2	280	Type B	±0.03
2001-1015	0-300/0-12"	0.01/0.0005"	100	2	380	Type B	±0.04

IP67 WATER PROOF DIGITAL DEPTH CALIPER

Battery + CR2032
 DIN 862
 mm / in
 IP67 COOLANT/LIQUID RESISTANT
 Wi-Fi



- Used to measure step and depth
- Made of solid stainless steel
- Strictly made in accordance with DIN862
- IP67 protection against liquid
- Hardened, ground and lapped measuring surfaces for longer service life

Unit:mm

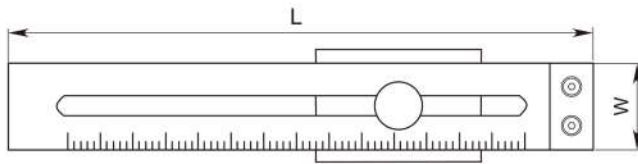
Code	Range	Resolution	A	B	C	L	Accuracy
2330-1105	0-150/0-6"	0.01/0.0005"	100	11	14.5	232.5	0.03/0.0015"
2330-1110	0-200/0-8"	0.01/0.0005"	100	11	14.5	285	0.03/0.0015"
2330-1115	0-300/0-12"	0.01/0.0005"	150	13.5	14.5	390	0.04/0.0015"

WITH WIRELESS SYSTEM

Unit:mm

Code	Range	Resolution	A	B	C	L	Accuracy
2330-3105	0-150/0-6"	0.01/0.0005"	100	11	14.5	232.5	0.03/0.0015"
2330-3110	0-200/0-8"	0.01/0.0005"	100	11	14.5	285	0.03/0.0015"
2330-3115	0-300/0-12"	0.01/0.0005"	150	13.5	14.5	390	0.04/0.0015"

MARKING GAUGE

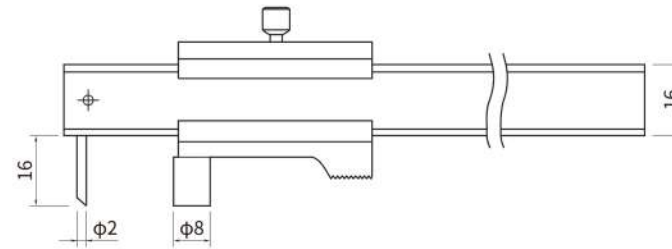


- Perfect tool for engineers, craft persons, model makers for a variety of marking out jobs
- Made of high quality steel
- Stress-relieved and precision ground in pairs
- Distinct lines and figures laser etched on beam

Unit:mm

Code	Range	Graduation	Accuracy	L	W
9241-3105	0-200	0.1	±0.1	250	40
9241-3110	0-250	0.1	±0.1	300	40
9241-3115	0-300	0.1	±0.1	350	40

SCRIBING CALIPER

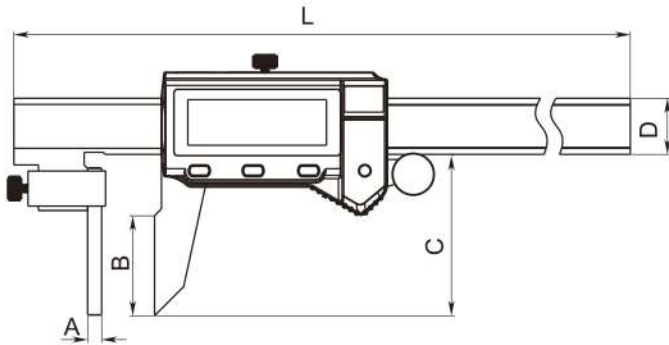


- Distinct lines and figures laser etched on beam
- Used to measure outside diameter, inside diameter, step, depth measurement and also for scribing
- Made of high quality stainless steel
- Carbide tipped measuring faces making scribing clear

Unit:mm

Code	Range	Graduation	Accuracy
2805-0005	0-200/0-8"	0.1/1/128"	±0.1

DIGITAL TUBE THICKNESS CALIPER

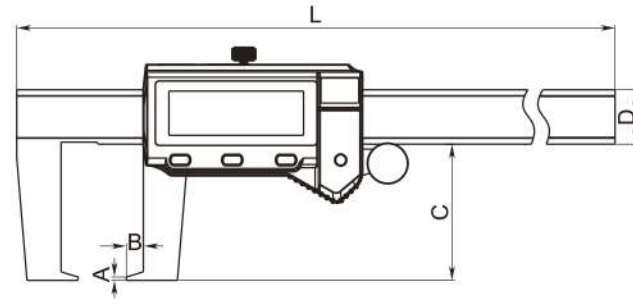


- Used to measure tube thickness
- Made of solid stainless steel
- Strictly made in accordance with DIN862
- IP54 protection against liquid
- Hardened, ground and lapped measuring surfaces for longer service life
- Measuring surfaces ground for ultimate accuracy and smooth movement throughout

Unit:mm

Code	Range	Resolution	A	B	C	D	L	Accuracy
2060-1105	0-150/0-6"	0.01/0.0005"/ 1/128"	Φ4	28.5	46	16	250	0.03/0.0015"
2060-1110	0-200/0-8"	0.01/0.0005"/ 1/128"	Φ4	32.5	50	16	300	0.03/0.0015"
2060-1115	0-300/0-12"	0.01/0.0005"/ 1/128"	Φ4	48.5	66	16	400	0.04/0.0015"

DIGITAL OUTSIDE NECK CALIPER



- Used to measure outside grooves
- Made of solid stainless steel
- Strictly made in accordance with DIN862
- IP54 protection against liquid
- Hardened, ground and lapped measuring surfaces for longer service life
- Measuring surfaces ground for ultimate accuracy and smooth movement throughout

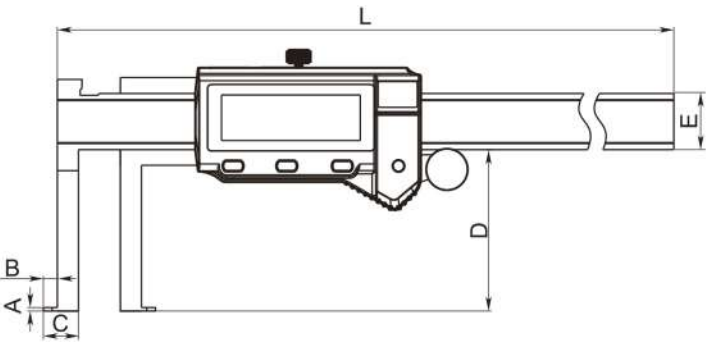
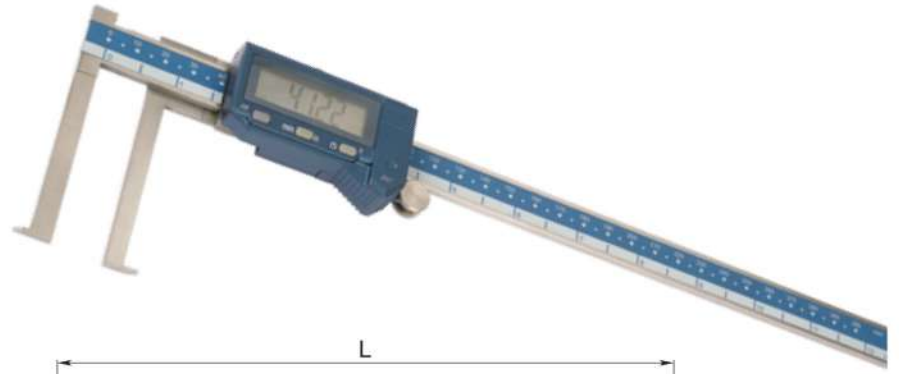
Unit:mm

Code	Range	Resolution	A	B	C	D	L	Accuracy
2065-1105	0-150/0-6"	0.01/0.0005"/ 1/128"	1	5	40	16	250	0.03/0.0015"
2065-1110	0-200/0-8"	0.01/0.0005"/ 1/128"	1	7	50	16	300	0.03/0.0015"
2065-1115	0-300/0-12"	0.01/0.0005"/ 1/128"	1.5	8	60	16	405	0.04/0.0015"



DIGITAL INSIDE GROOVE MEASURING CALIPER

DIN 862 **Battery + CR2032** **mm/in** **IP67**
COOLANT & FLUID RESISTANT



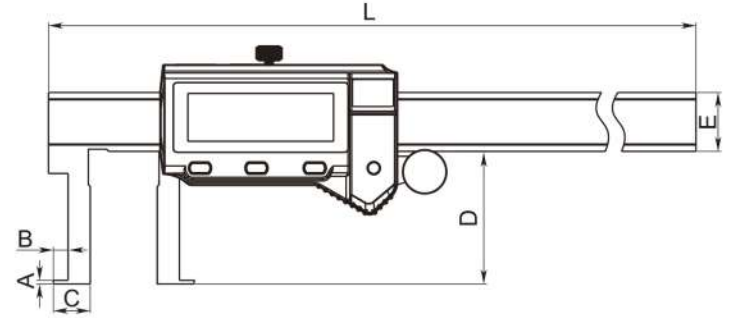
- Used to measure inside grooves
- Made of solid stainless steel
- Strictly made in accordance with DIN862
- IP67 protection against liquid
- Hardened, ground and lapped measuring surfaces for longer service life
- Measuring surfaces ground for ultimate accuracy and smooth movement throughout

Unit:mm

Code	Range	Resolution	A	B	C	D	E	L	Accuracy
2570-5105	10-150/0.39-6"	0.01/0.0005"	1	4	10	46	16	235	0.03/0.0015"
2570-5110	11-200/0.43-8"	0.01/0.0005"	1	5	11	56	16	287	0.03/0.0015"
2570-5115	12-300/0.47-12"	0.01/0.0005"	1.5	5	12	66	16	390	0.04/0.0015"

DIGITAL INSIDE NECK CALIPER

DIN 862 **Battery + CR2032** **mm/in** **IP67**
COOLANT & FLUID RESISTANT

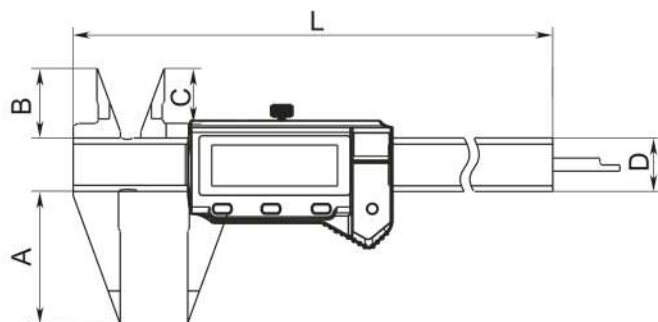


- Used to measure inside grooves
- Made of solid stainless steel
- Strictly made in accordance with DIN862
- IP67 protection against liquid
- Hardened, ground and lapped measuring surfaces for longer service life
- Measuring surfaces ground for ultimate accuracy and smooth movement throughout

Unit:mm

Code	Range	Resolution	A	B	C	D	E	L	Accuracy
2580-5105	20-150/0.787-6"	0.01/0.0005"	1	4	10	36	16	235	0.03/0.0015"
2580-5110	25-200/0.984-8"	0.01/0.0005"	1	5	12.5	46	16	287	0.03/0.0015"
2580-5115	30-300/1.181-12"	0.01/0.0005"	1.5	5	15	56	16	390	0.04/0.0015"

DIGITAL POINT CALIPER

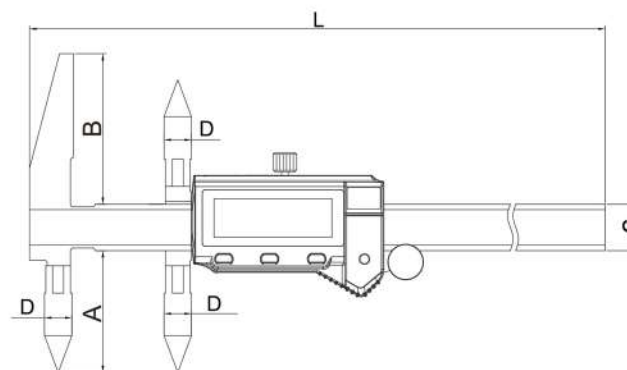


- The narrow pointed jaws fit into very small grooves and tracks, making many previously difficult outside measurements far easier to obtain
- Strictly made in accordance with DIN862
- With depth bar

Unit:mm

Code	Range	Resolution	A	B	C	D	L	Accuracy
2090-0010	0-150/0-6"	0.01/0.0005"/1/128"	40	20	15.4	16	235	±0.03/0.0015"

DIGITAL CENTERLINE & APOTHEM CALIPER



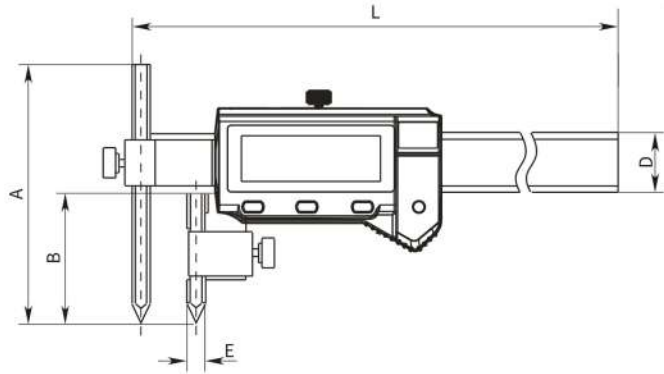
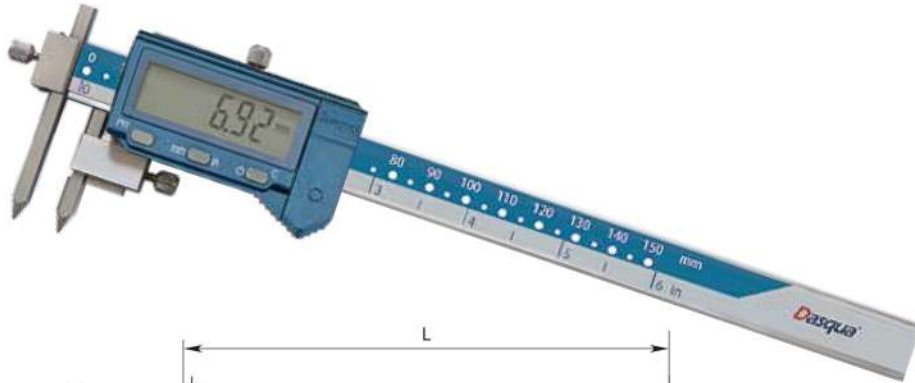
- Specially designed to measure distances between centers on the same and offset planes
- Can preset the size of measuring anvil

Unit:mm

Code	Apothem Range	Centerline Range	Resolution	A	B	C	D	L	Accuracy
2130-1005	5-300	10-300	0.01/0.0005"	44.5	55	17	φ10	410	±0.08
2130-1010	10-500	20-500	0.01/0.0005"	40	50	24	φ20	690	±0.09



DIGITAL CENTERLINE CALIPER

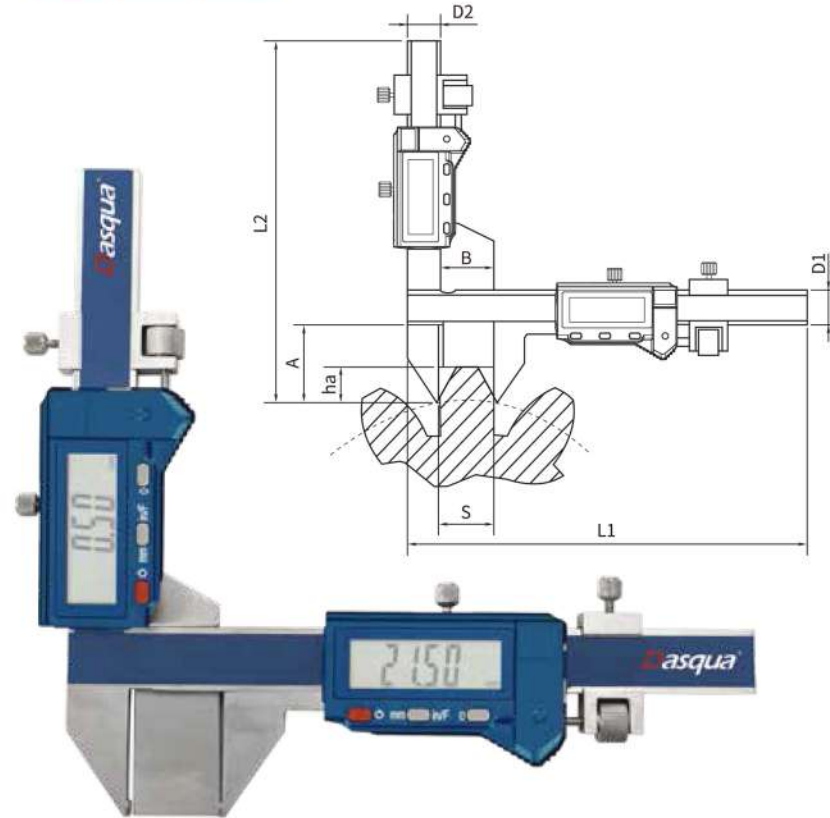


- Used to measure the center distance between two holes
- Can preset the size of measuring anvil
- The conical points can be adjusted up or down to measure the center distance between two holes on different heights.
- Hardened, ground and lapped measuring surfaces for longer service life
- Measuring surfaces ground for ultimate accuracy and smooth throughout
- Made of high quality stainless steel

Unit:mm

Code	Range	Resolution	A	B	D	E	L	Accuracy
2730-3105	10-150	0.01/0.0005"	65	32	16	φ10	236	±0.05
2730-3110	10-200	0.01/0.0005"	65	32	16	φ10	286	±0.07
2730-3115	10-300	0.01/0.0005"	65	32	16	φ10	396	±0.09

DIGITAL TOOTH-THICKNESS CALIPER



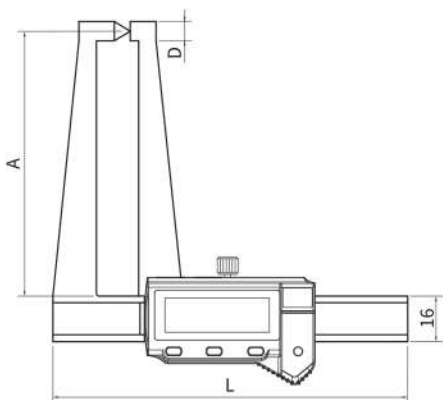
- Used for measuring gear thickness
- Made of high quality stainless steel
- LCD display with clear reading
- With fixing screw and fine adjustment on both sides
- Zero setting at any position

Unit:mm

Code	Range	Resolution	L1	L2	A	B	D1	D2	Accuracy
2075-1105	M1-25	0.01/0.0005"/1/128"	170	165	30.5	21	16	16	±0.04
2075-1110	M5-50	0.01/0.0005"/1/128"	220	190	55	50.5	16	16	±0.04



DIGITAL DISK-BRAKE CALIPER

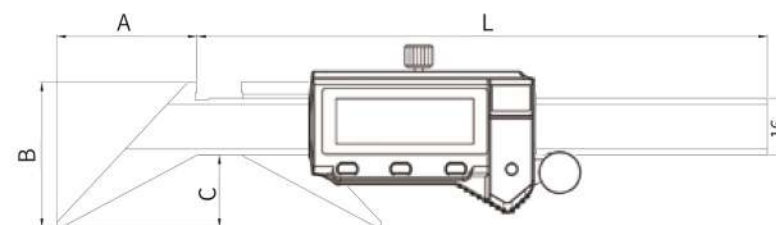


- Fast and easy measurement of the brake disc thickness
- Made of high quality stainless steel
- LCD display with clear reading
- Zero setting at any position, mm/inch conversion at any position

Unit:mm

Code	Range	Resolution	A	D	L	Accuracy
2240-0005	0-125/0-5"	0.01/0.0005"/1/128"	93	6	230	±0.05

DIGITAL ARC-RADIUS CALIPER



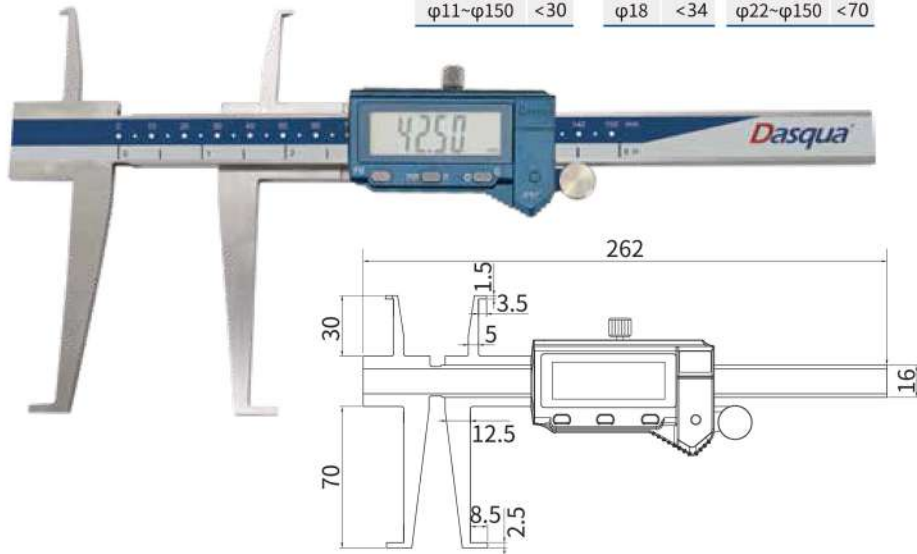
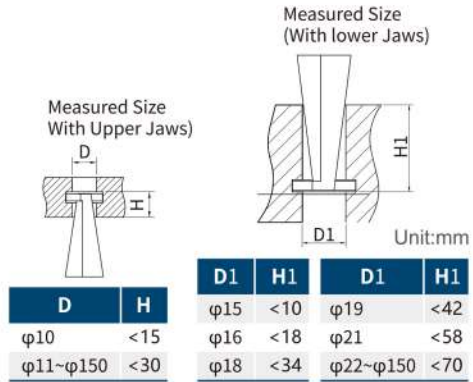
- Used to measure non-full-round arc
- Made of solid stainless steel
- IP54 protection against liquid
- Hardened, ground and lapped measuring surfaces for longer service life
- Measuring surfaces ground for ultimate accuracy and smooth movement throughout

Unit:mm

Code	Range	Resolution	A	B	C	L	Accuracy
2240-4005	3-150	0.01/0.0005"/1/128"	39.3	40.8	20.3	160	±0.1
2240-4010	3-300	0.01/0.0005"/1/128"	76.8	60.8	40.3	242	±0.2



DIGITAL INSIDE GROOVE MEASURING CALIPER

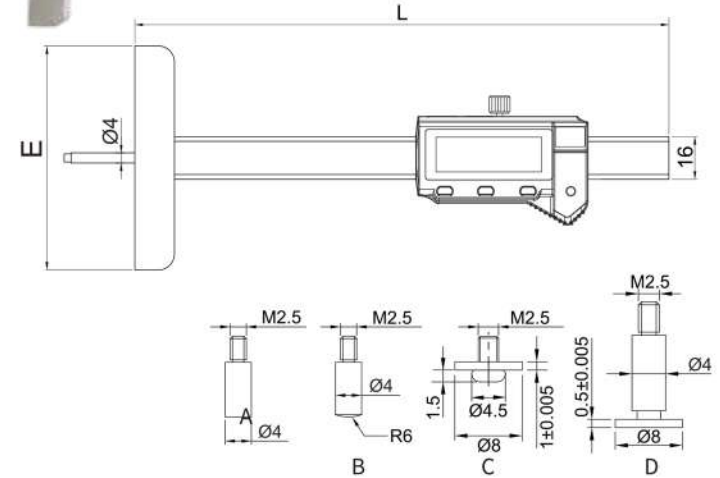
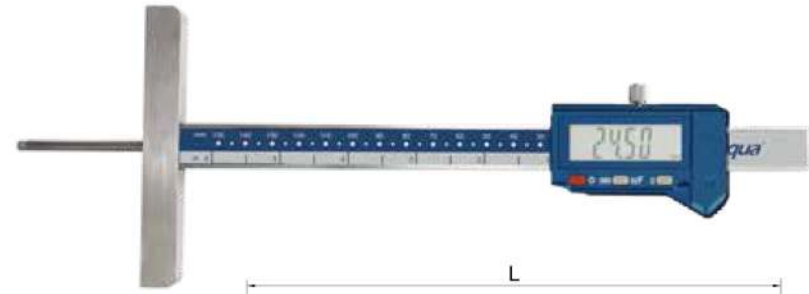


- Used for measuring diameter of grooves inside bores
- Automatic power off
- Made of high quality stainless steel

Unit:mm

Code	Range of upper jaw	Range of lower jaw	Resolution	Accuracy
2240-0025	10-150/0.39-6"	15-150/0.59-6"	0.01/0.0005"	±0.04
2240-0026	10-200/0.39-8"	15-200/0.59-8"	0.01/0.0005"	±0.04
2240-0027	10-300/0.39-12"	15-300/0.59-12"	0.01/0.0005"	±0.05

DIGITAL DEPTH GAUGE WITH ROUND DEPTH BAR



Remark: 4 types of contact points optional

- Specially designed for narrow bore depth
- With thin and long depth measuring bar
- Pointed contact, flat contact or spherical contact is optional.
- Made of high quality stainless steel
- Zero setting at any position

Unit:mm

Code	Range	Resolution	L	E	Accuracy
2730-0010	0-100/0-4"	0.01/0.0005"/1/128"	200	85	±0.02
2730-0015	0-120/0-4.7"	0.01/0.0005"/1/128"	300	101	±0.03
2730-0020	0-200/0-8"	0.01/0.0005"/1/128"	300	101	±0.03
2730-0025	0-300/0-12"	0.01/0.0005"/1/128"	400	101	±0.04

MINI DIGITAL DEPTH GAUGE

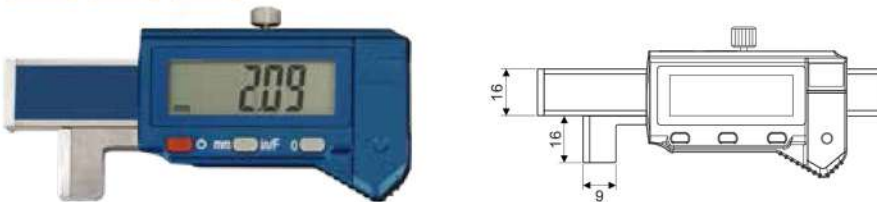


- Used to measure depth of small groove and hole, also to measure depth of tire
- With thin and long depth measuring bar
- Zero setting at any position
- Made of high quality stainless steel

Unit:mm

Code	Range	Resolution	Accuracy
2240-0030	0-30/0-1.2"	0.01/0.0005"/1/128"	±0.02

DIGITAL STEP & GAP GAUGE

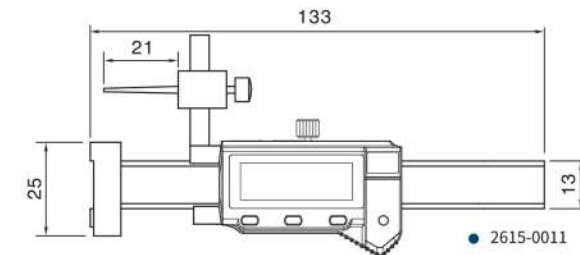
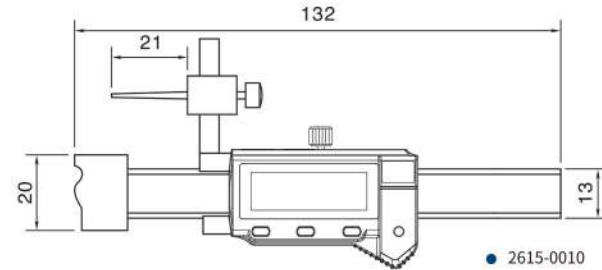


- Used for checking the mutual position of two adjacent surfaces of vehicle
- Can measure the gap between two adjacent surfaces
- Portable and easy to operate

Unit:mm

Code	Range	Resolution	Accuracy
2615-0005	0-12.7	0.01/0.0005"/1/128"	±0.03

DIGITAL STEP & GAP GAUGE



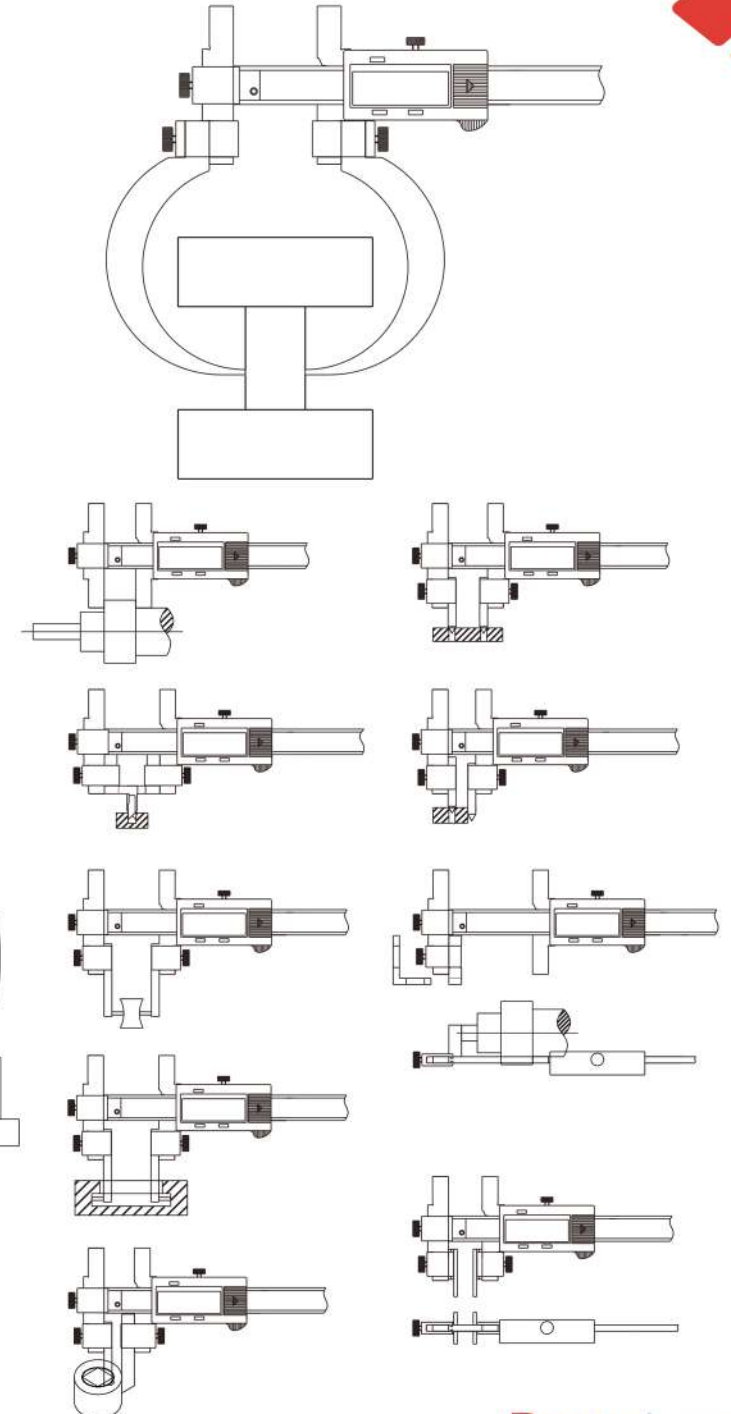
- Digital step gauge, also known as high and low gauges
- Used for checking the mutual position of two adjacent surfaces of vehicles
- Zero setting at any position




Unit:mm

Code	Range	Resolution	Accuracy
2615-0010	-10-30	0.01/0.0005"/1/128"	±0.02
2615-0011	-10-30	0.01/0.0005"/1/128"	±0.02



MULTI-FUNCTION DIGITAL CALIPER

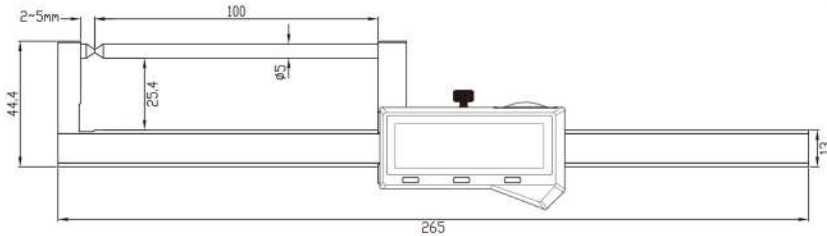


-  • Used to satisfy users various aims in measuring
-  • Made of high quality stainless steel
-  • Zero setting at any position

Unit:mm

Code	Range	Resolution
2615-0015	0-150	0.01/0.0005"/1/128"

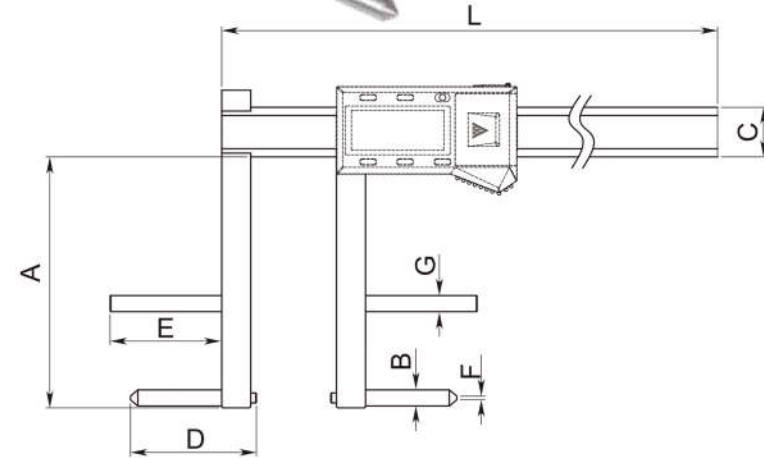
BRAKE ROTOR GAUGE WHEEL ON CALIPER



- Used to measure brake rotors without removing the wheel
 - Made of solid stainless steel
 - Hold function for easy recording of measurement
 - Hardened, ground and lapped measuring surfaces for longer service life
 - Measuring surfaces ground for ultimate accuracy and smooth movement throughout
- Unit:mm

Code	Range	Resolution
1804-1030	0-80/0-3.2"	0.01/0.0005"/1/64"

EASY OUT/INSIDE DIGITAL CALIPER



- Used to measure brake drum
 - Made of solid stainless steel
 - Strictly made in accordance with DIN862
 - With Hold and Metric-Inch-Fraction Conversion function
 - Hardened, ground and lapped measuring surfaces for longer service life
- Unit:mm

Code	Range	Resolution	A	B	C	D	E	F	G	L	Accuracy
2220-8103	100-500/4-20"	0.01/0.0005"/1/64"	101.35	φ6.5	20	50.8	45	φ1.5	φ6.5	520	0.06/0.0025"