

# ANGLE MEASURING

BORN IN ITALY, RAISED BY THE WORLD

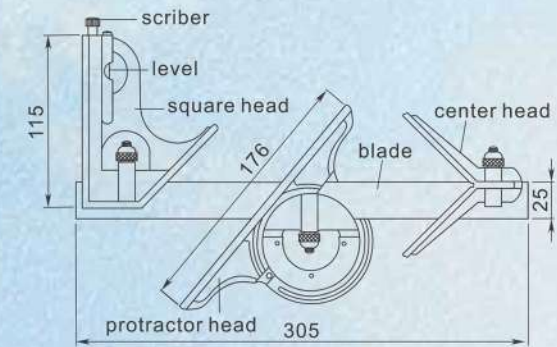


# 4 PCS COMBINATION SQUARE SET

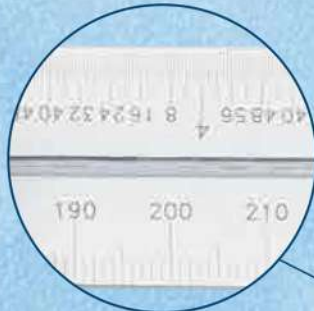
- Made by procoated mold and no blister on the surface

Unit:mm

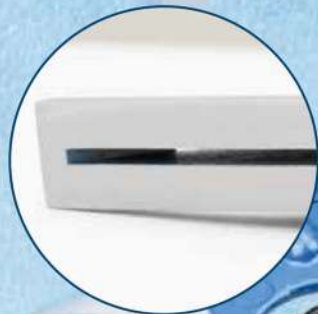
Code	Ruler	Graduation
1012-2010-A	300/12"	1.0/1/64" and 0.5/1/32"



- Distinct lines and figures against the satin chrome finish making reading easily



- Powder-coated process guaranteeing high surface durability



- Low surface roughness and high accuracy with surfaces precisely ground

- Strong and elegant packing



# 4PCS COMBINATION DIGITAL SQUARE SET

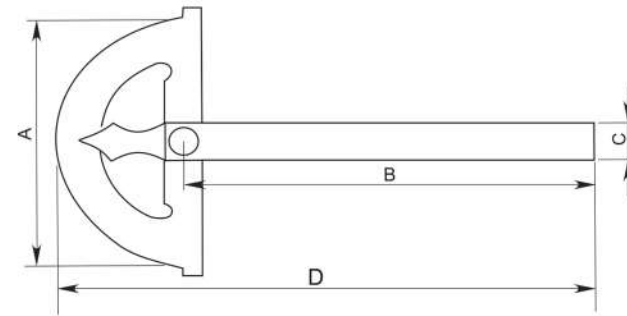
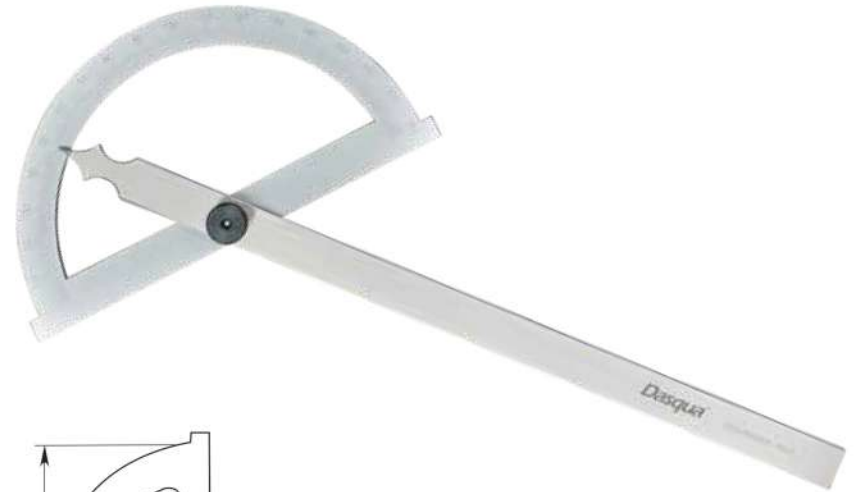


- Higher accuracy with digital protractor newly applied
- Made by procoated mold and no blister on the surface
- Distinct lines and figures against the satin chrome finish making reading easily
- Low surface roughness and high accuracy with surfaces precisely ground

Unit:mm

Code	Ruler	Graduation	Accuracy
1012-0010	300/12"	1.0/1/64" and 0.5/1/32"	±10'within0.15°

# PROTRACTOR

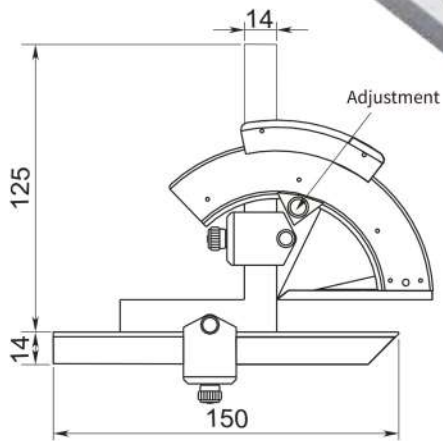
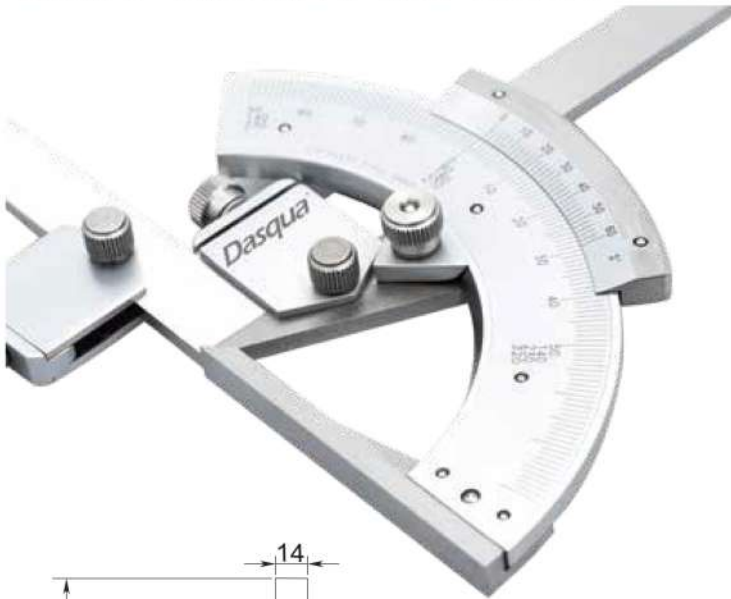


- Made of stainless steel
- Satin chrome finish, anti-rust and durable
- Locking knob can hold any angle
- Multi-purpose, engineering drawing, angle measurement, architectural design, woodworking, length measurement, etc
- Packaged in a beautiful and durable leather bag

Unit:mm

Code	Range	Graduation	Size(AxB)	D	C	Accuracy
1011-1005	0-180°	1°	85x150	199	15	±30'
1012-1005	0-180°	1°	80x120	168	11	±30'
1012-1010	0-180°	1°	120x150	220	14	±30'
1012-1020	0-180°	1°	150x200	285	16	±30'
1012-1030	0-180°	1°	200x300	413	20	±30'
1012-1035	0-180°	1°	300x500	665.5	31.5	±30'

# UNIVERSAL PROTRACTOR

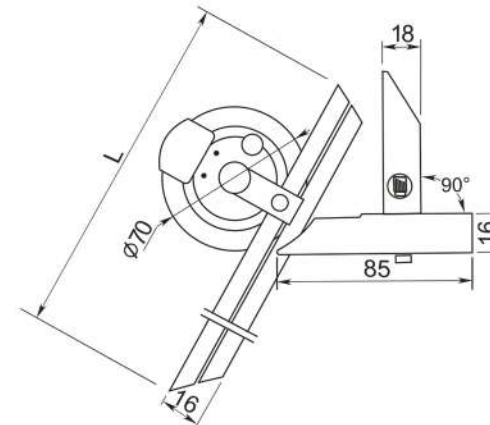


- Made of stainless steel
- With fine adjustment
- Measuring surface hardened, ground and lapped ensures smooth movement
- Satin chrome finish, anti-rust and durable

Unit:mm

Code	Range	Graduation	Accuracy
1012-2005	0-320°	2'	±2'

# UNIVERSAL PROTRACTOR WITH FINE ADJUSTMENT AND MAGNIFIER

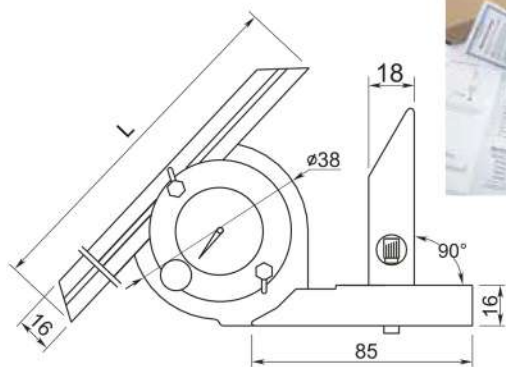


- Made of stainless steel
- With a magnifier for easy and clear reading
- Measuring surface hardened, ground and lapped ensures smooth movement
- Satin chrome finish, anti-rust and durable
- With fine adjustment
- Provided with three blades (150mm, 200mm, 300mm)

Unit:mm

Code	Range	Graduation	L	Accuracy
1031-2005	0-360°	5'	150/200/300	±5'

# UNIVERSAL DIAL PROTRACTOR

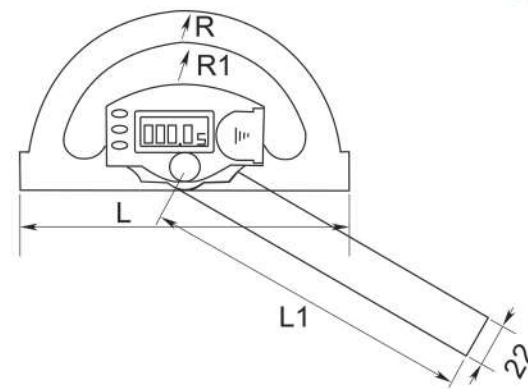


- Made of stainless steel
- With a dial for easy and accurate reading
- Measuring surface hardened, ground and lapped ensures smooth movement
- Satin chrome finish, anti-rust and durable
- Provided with three blades (150mm, 200mm, 300mm)

Unit:mm

Code	Range	Graduation	L	Accuracy
1031-2010	0-360°	5'	150/200/300	±5'

# INDUSTRIAL DIGITAL PROTRACTOR



- Measuring range: 0-180°
- Big LCD display for easy and clear reading
- Stainless steel scale, measuring surface hardened, ground and lapped
- Locking knob can hold any angle
- Data hold function, zero setting at any position
- Satin chrome finish, anti-rust and durable

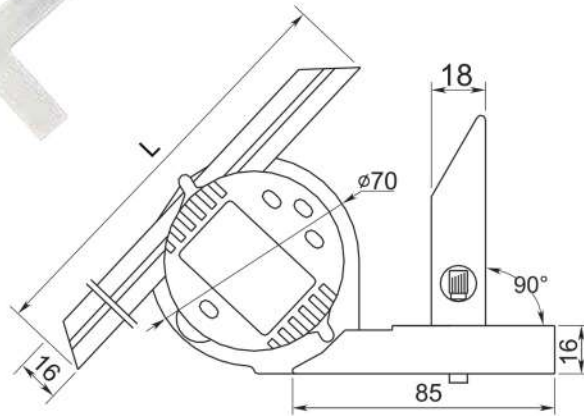
Unit:mm

Code	Range	Size	Resolution	L	L1	R	R1	Accuracy
1022-1005	0-180°	120x150	0.05°	132	161.5	60	/	±15'
1022-1010	0-180°	150x200	0.05°	158	211.5	75	60	±15'
1022-1015	0-180°	200x300	0.05°	221	311.5	98	78	±15'

# UNIVERSAL DIGITAL PROTRACTOR STAINLESS DIGITAL PROTRACTOR



Data output

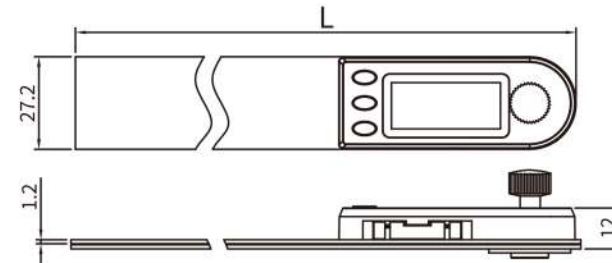
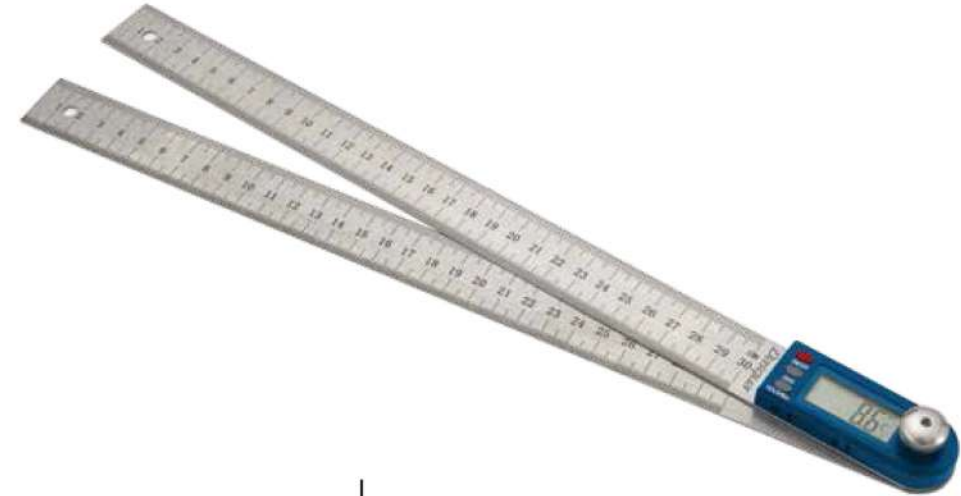


L=150MM/200MM/300MM

- Made of stainless steel
- Large digital display for easy reading
- Measuring surface hardened, ground and lapped ensures smooth movement
- Satin chrome finish, anti-rust and durable
- Provided with three blades (150mm, 200mm, 300mm)

Unit:mm

Code	Range	Resolution	L	Accuracy
1021-2005	0-360°	10"	150/200/300	±5'



- For easy measurement and transfer of angles
- Easy-to-read display
- With clamping screw to lock the blades
- Automatic power off
- Numeric value can be rotated through 180°
- Zero-setting at any position
- Upper and lower edges both with 1 mm graduations

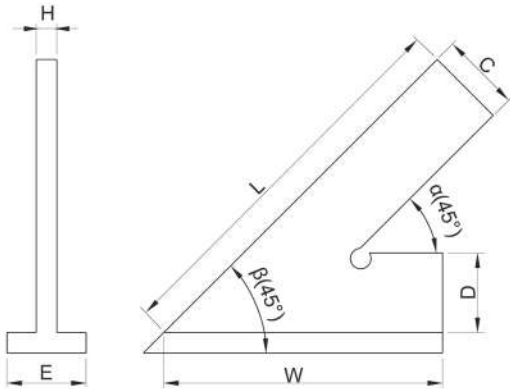
Unit:mm

Code	Size	Range	Resolution	L	Accuracy
1022-0200	200	0-360°	0.05°	277	±0.2°
1022-0300	300	0-360°	0.05°	380	±0.2°

# 45° SQUARE

WITH WIDE BASE

**DIN 875**



- Precision ground base for measuring and checking the flatness error
- | • Strictly made in accordance with DIN875
- Made of hardened stainless steel
- | • Satin chrome finish for glare-free easy reading
- Measuring surfaces are precision ground and lapped

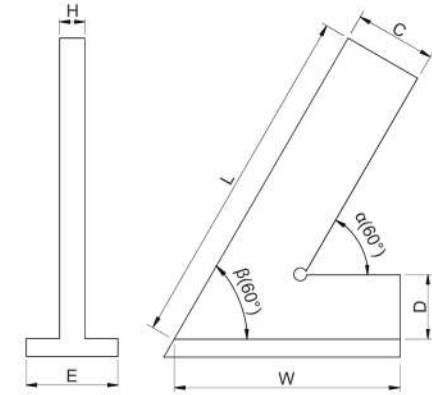
Unit:mm

Code	Standard	Size(LxW)	Angle Tolerance	C	D	H	E
9222-3105	DIN875/2	120x80	0.030	20	20	5	20
9222-3110	DIN875/2	150x100	0.035	20	20	5	20
9222-3115	DIN875/2	200x130	0.040	25	25	6	25

# 60° SQUARE

WITH WIDE BASE

**DIN 875**



- Precision ground base for measuring and checking the flatness error
- | • Strictly made in accordance with DIN875
- Made of hardened stainless steel
- | • Satin chrome finish for glare-free easy reading
- Measuring surfaces are precision ground and lapped

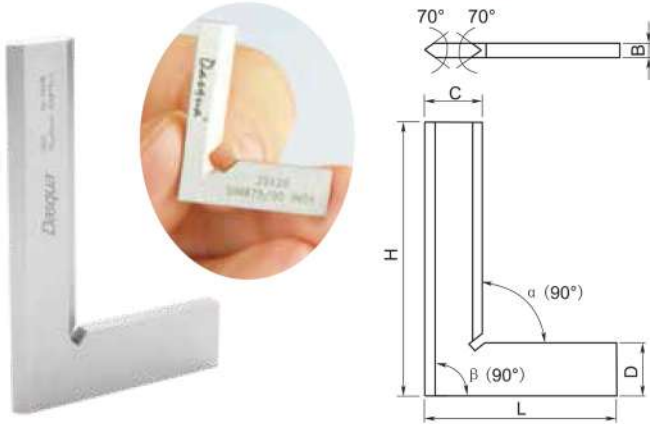
Unit:mm

Code	Standard	Size(LxW)	Angle Tolerance	C	D	H	E
9272-1005	DIN875/2	120x80	0.030	20	20	5	20
9272-1010	DIN875/2	150x100	0.035	20	20	5	20
9272-1015	DIN875/2	200x130	0.040	25	25	6	25



# 90° BEVELED EDGE SQUARE

DIN 875



- Strictly made in accordance with DIN875
- Beveled edges can be used for inside and outside measurement
- Made of hardened stainless steel
- Measuring surfaces are precision ground and lapped



## GRADE 0

Unit:mm

Code	Standard	Size(HxL)	Angle Tolerance	C	D	B
9111-1104	DIN875/0	40x28	0.006	4	6	3.5
9111-1105	DIN875/0	50x40	0.006	13	13	4
9111-1110	DIN875/0	75x50	0.007	15	15	4
9111-1115	DIN875/0	100x70	0.007	20	20	5
9111-1120	DIN875/0	150x100	0.008	30	30	6
9111-1125	DIN875/0	200x130	0.009	33	33	7

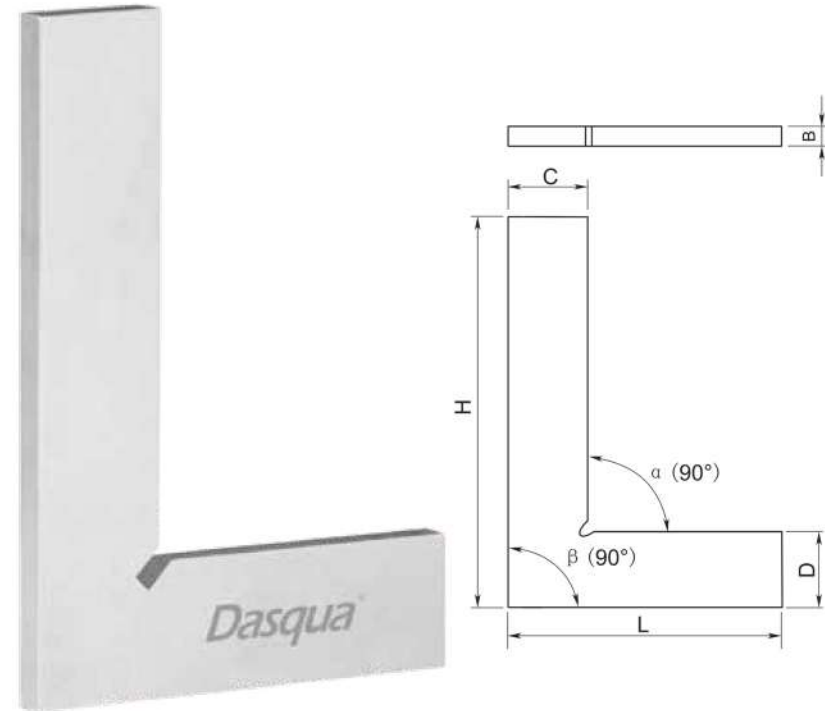
## GRADE 00

Unit:mm

Code	Standard	Size(HxL)	Angle Tolerance	C	D	B
9100-1102	DIN875/00	25x20	0.003	4	6	3.5
9100-1104	DIN875/00	40x28	0.003	4	6	3.5
9100-1105	DIN875/00	50x40	0.003	13	13	4
9100-1110	DIN875/00	75x50	0.003	15	15	4
9100-1115	DIN875/00	100x70	0.003	20	20	5
9100-1120	DIN875/00	150x100	0.004	30	30	6
9100-1125	DIN875/00	200x130	0.004	33	33	7

# 90° FLAT EDGE SQUARE

DIN 875



- Used for checking the straightness, parallelism and perpendicularity
- Strictly made in accordance with DIN875
- Made of hardened stainless steel
- Satin chrome finish for glare-free easy reading
- Measuring surfaces are precision ground and lapped

Unit:mm

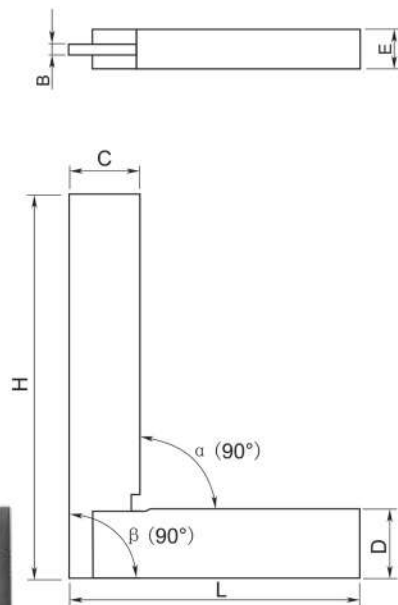
Code	Standard	Size(HxL)	Angle Tolerance	C	D	B
9315-1105	DIN875/0	50x40	0.006	15	15	4
9315-1110	DIN875/0	75x50	0.007	15	15	4
9315-1115	DIN875/0	100x70	0.007	20	20	5
9315-1120	DIN875/0	150x100	0.008	30	30	6
9315-1125	DIN875/0	200x130	0.009	30	30	7



# 90° FLAT EDGE SQUARE

WITH HEAVY BASE

**DIN 875**



- Precision ground base for measuring and checking the flatness error
- | • Used for checking the straightness, parallelism and perpendicularity
- Strictly made in accordance with DIN875
- | • Made of hardened stainless steel
- Satin chrome finish for glare-free easy reading
- | • Measuring surfaces are precision ground and lapped

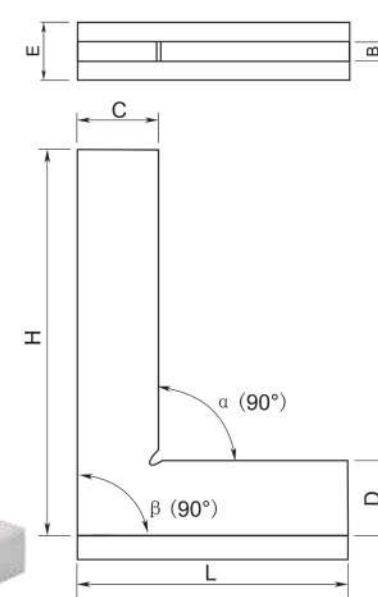
Unit:mm

Code	Standard	Size(HxL)	Angle Tolerance	C	D	B	E
9212-1104	DIN875/0	50x40	0.006	12	12	2.5	10
9212-1108	DIN875/0	75x50	0.007	14	14	3	10
9212-1112	DIN875/0	100x70	0.007	18	18	3	12
9212-1116	DIN875/0	150x100	0.008	22	22	4	12
9212-1118	DIN875/0	200x130	0.009	26	26	4	14

# 90° FLAT EDGE SQUARE

WITH WIDE BASE

**DIN 875**



- Precision ground base for measuring and checking the flatness error
- | • Used for checking the straightness, parallelism and perpendicularity
- Strictly made in accordance with DIN875
- | • Made of hardened stainless steel
- Satin chrome finish for glare-free easy reading
- | • Measuring surfaces are precision ground and lapped

Unit:mm

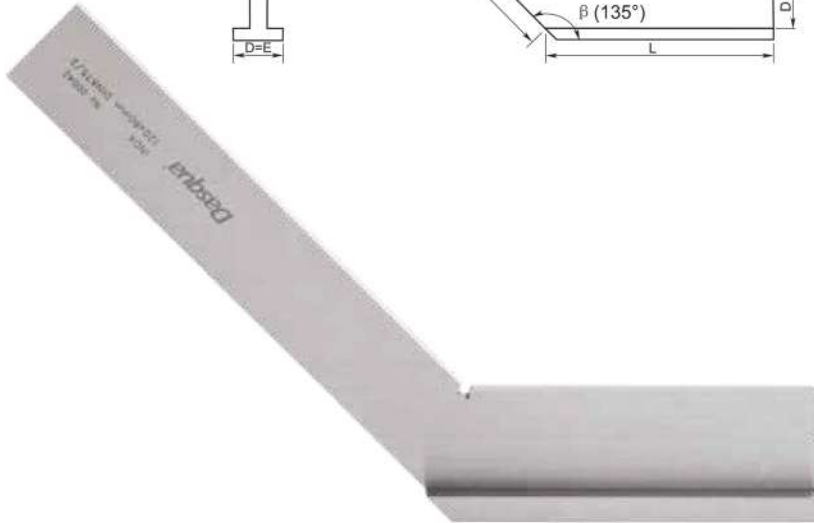
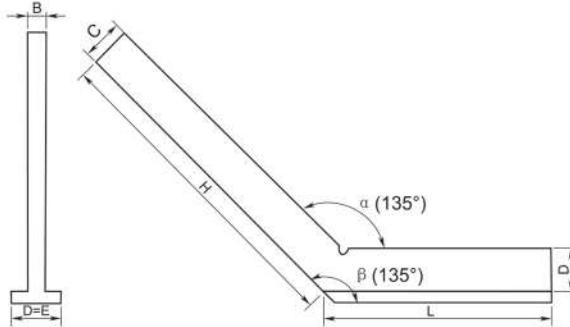
Code	Standard	Size(HxL)	Angle Tolerance	C	D	B	E
9212-1105	DIN875/0	50x40	0.006	15	15	4	15
9212-1110	DIN875/0	75x50	0.007	15	15	4	15
9212-1115	DIN875/0	100x70	0.007	20	20	5	20
9212-1120	DIN875/0	150x100	0.007	30	30	6	30
9212-1125	DIN875/0	200x130	0.009	30	30	7	30
9211-1105	DIN875/1	50x40	0.012	15	15	4	15
9211-1110	DIN875/1	75x50	0.014	15	15	4	15
9211-1115	DIN875/1	100x70	0.015	20	20	5	20
9211-1120	DIN875/1	150x100	0.018	30	30	6	30
9211-1125	DIN875/1	200x130	0.020	30	30	7	30



# 135° SQUARE

WITH WIDE BASE

**DIN 875**



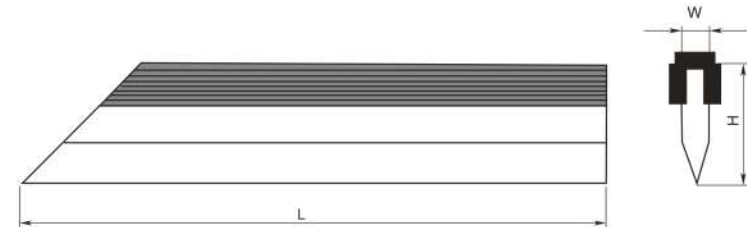
- Precision ground base for measuring and checking the flatness error
- Strictly made in accordance with DIN875
- Made of hardened stainless steel
- Satin chrome finish for glare-free easy reading
- Measuring surfaces are precision ground and lapped

Unit:mm

Code	Standard	Size(HxL)	Angle Tolerance	C	D	B
9222-3102	DIN875/2	120x80	0.030	20	20	5
9222-3104	DIN875/2	150x100	0.035	20	20	5
9222-3106	DIN875/2	200x130	0.040	30	30	7

# STAINLESS STEEL STRAIGHT EDGE

**DIN 874**



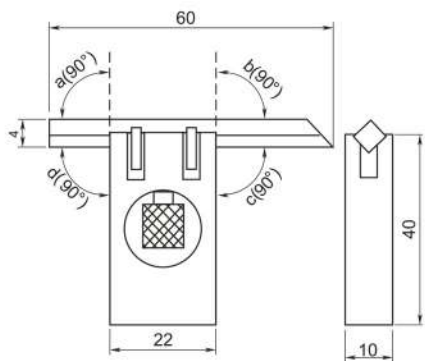
- Use with feeler gauge or light gap method to measure the straightness and parallelism
- Strictly made in accordance with DIN874
- With one beveled edge
- Made of hardened stainless steel
- Satin chrome finish for glare-free easy reading
- Measuring surfaces are precision ground and lapped

Unit:mm

Code	Standard	Size(L)	Angle Tolerance	H	W
9131-2105	DIN874/00	75	0.0015	25	5
9131-2110	DIN874/00	100	0.0017	25	5
9131-2115	DIN874/00	125	0.0018	30	6
9131-2120	DIN874/00	150	0.0020	30	6
9131-2125	DIN874/00	200	0.0023	30	6

# ADJUSTABLE BEVEL SQUARE

DIN 875



- Use with light gap method for inspection work
- Used to measure the short or small parts, chamfers and others by moving the straight edge
- High precision square, smooth straight edge which can be locked by the clamping screw at the desired position
- Measuring surfaces are precision ground and lapped
- Made of hardened stainless steel

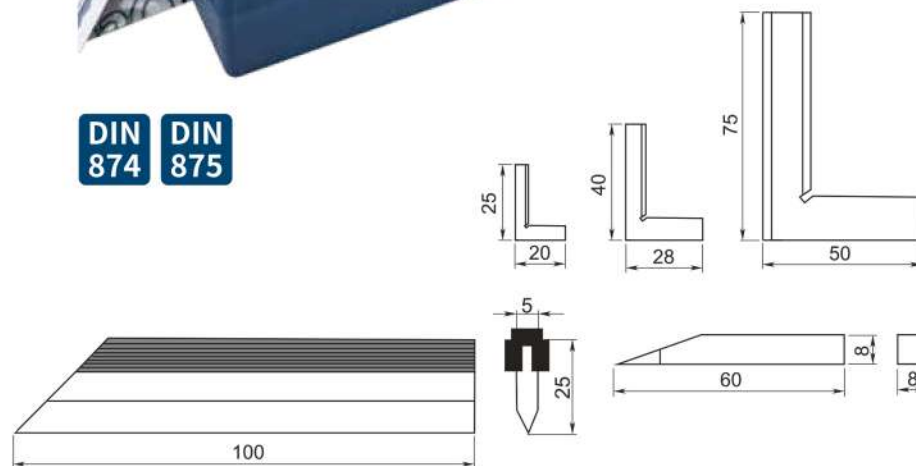
Unit:mm

Code	Standard	Foot Size	Ruler Length	Ruler Cross Section
9161-1105	DIN875/0	40x22x10	60	4x4

# 5 PCS MECHANIST SQUARE SET



DIN 874 DIN 875



- Measuring surfaces are precision ground and lapped
- Satin chrome finish for glare-free easy reading
- Stainless steel beveled straight edge 100mm grade 00 (DIN 874)
- Stainless steel beveled edge squares 75x50mm grade 00 (DIN 875)
- Stainless steel beveled edge squares 40x28mm and 25x20 grade 00
- Gauge block scribe point 60x8x8mm grade 00

Unit:mm

Code
9383-2205



## MEASURING BEVEL

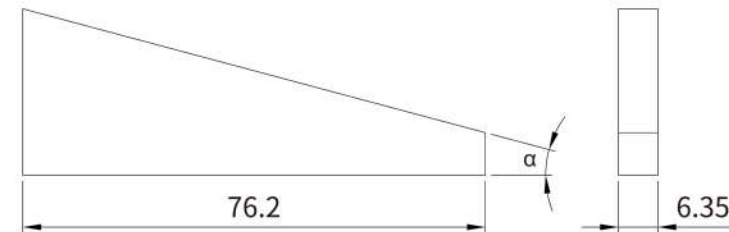


- Made of hardened stainless steel
- |
- Used to duplicate any angle
- |
- Two movable blades can be locked by the wing nut
- |
- Measuring surfaces are precision ground and lapped

Unit:mm

Code	Size
9251-1105	200
9251-1110	250
9251-1115	300
9251-1120	400
9251-1125	500

## ANGLE BLOCK SET



- For fast, easy and accurate determination of angular dimensions
- |
- Also can be stacked to create other angles
- |
- Hardened and relieved special steel, high grade of abrasion resistance
- |
- Measuring faces precision ground and lapped

Unit:mm

Code	Amount(pcs)	Angle( $\alpha$ )	Angular Precision
9411-1205	10	1°, 2°, 3°, 4°, 5°, 10°, 15°, 20°, 25°, 30°	±20"
9412-4105	12	1/4°, 1/2°, 1°, 2°, 3°, 4°, 5°, 10°, 15°, 20°, 25°, 30°	±20"