

**TOOLS AND SOLUTIONS  
FOR CRITICAL INDUSTRIES**

**AS**



**INTELLIGENT  
CORDLESS  
TORQUE**

**WITH DATA  
STORAGE &  
TRANSFER  
CAPABILITIES**

**Snap-on®**



# 1" Drive Heavy Duty Cordless Torque Multipliers

Specifically designed to improve performance and data traceability in safety critical and heavy industrial operations, the CTM is perfectly suited for all applications where conventional electric or pneumatic power is not available or simply in situations where the removal of hoses and cables is highly desirable for workplace safety.

## POWERFUL DUAL-SPEED TORQUE

- CTM1000 (250-1,000 ft. lbs.)
- CTM2000 (500-2,000 ft. lbs.)
- CTM3000 (750-3,000 ft. lbs.)

## ACCURATE RESULTS

CTM is a transducer controlled battery powered torque tool designed for accurately applying torque to threaded fasteners. The unique 'intelligent joint sensing' technology continually measures the joint during tightening and when necessary, employs dynamic braking to avoid torque over-shoot due to motor inertia, consistently achieving highly accurate results of  $\pm 3\%$  of setting.

## SAFETY

The CTM 'safe to start' button (which needs to be pressed at the same time as the trigger), ensures hands are safely positioned at start up. Once the tool is running, the operator can relocate their hand securely to the supplied secondary handle.

## OVERHEAT-PREVENTION

Most torque tool users want to know how many tightening cycles the tool will perform from a battery, but the more relevant question usually is, how many cycles will the tool perform before it overheats? The new CTM is designed to offer outstanding performance while minimizing the traditional overheating problem of battery-operated tools. In short, under the same conditions the CTM will keep working when most competitors have to be stopped to cool.

## TWO-WAY COMMUNICATION

The CTM allows two-way communication via Bluetooth or USB cable, downloading up to 3,000 time and date stamped readings or live streaming data from the tool. It is also possible to upload information to the tool, such as tightening sequences. To manage this data, tools are supplied with a complimentary software. As an added benefit, data can be output in CSV format to communicate directly with customers' own data management systems. In addition, the CTM can communicate with smart devices, such as mobile phones and tablets, which enables the ability to gather tightening data specific to a known set of GPS coordinates. When working in safety critical applications, such as railway infrastructure, this enables the CTM to provide invaluable traceability data.

## AUDIT MODE

The new CTM is also equipped with an 'Audit Mode', which offers the ability to perform a check on pre-tightened bolts. Most electric tools if applied to a tight bolt will further tighten it. So, even if the bolt was fastened correctly, the test will destroy the original tightening integrity. Under 'Audit Mode' the CTM will run at a speed that allows it to stop almost instantaneously once the set torque is achieved. If a bolt is found to be loose then the tool will tighten it to the desired level, recording the angle of turn required to do so.



# PRECISE TORQUE



'Safe to start' button ensures hands are safely positioned at start up

Key Lock Feature prevents unauthorized usage



USB and Bluetooth® 4.0 Data Transfer plus Software for data management (see next page for details)



# CORDLESS CONVENIENCE

## DID YOU KNOW?

The CTM Wrenches offer untethered access (no power cable or hose to tangle and get in your way) improving safety, convenience and versatility.



**Brushless Motor**  
for low maintenance

**1" Square Drive** is quickly and easily replaceable

**Tried & Tested Gear Box Design** is reliable and proven over more than a decade

**Robust steel reaction** supplied as standard

**High powered LED** to illuminate application

**18V, 5.0Ah Battery** and efficient motor give outstanding fastening performance per charge

**Handle and trigger** designed for optimum comfort

**OLED Display** ensures visibility in all conditions

### USER-SPECIFIC FUNCTIONALITY

- 12 user IDs can be downloaded to the tool and results can be stored against individual users
- 20 unique stand-alone targets plus 20 unique work group targets for each work group
- Maximum Audit Mode target angle (720°)

### DATA DRIVEN

- Display and on-board storage of final torque or torque and angle values
- Save up to 3,000 time and date stamped readings
- Results can be output in CSV (comma-separated values) format for users not able to use included software
- Ability to produce and store real time graphs via included software
- Usage counter gives the ability to see the amount of times the tool has been used since the last reset
- Allows tool integration into third party control systems

### PRECISE OPERATION

- Operation Direction feature designed primarily for undoing bolts (when doing sequence tightening, it is possible to undo an incorrectly tightened bolt without interrupting the sequence)
- 2-stage tightening gives faster application of a Snug Torque & Angle Target
- Turn Angle option can be used to check if bolts have already been tightened in an assembly process



## DATA-DRIVEN RESULTS



**Produce and store** real time graphs

### INTELLIGENT TOOL CONNECTIVITY

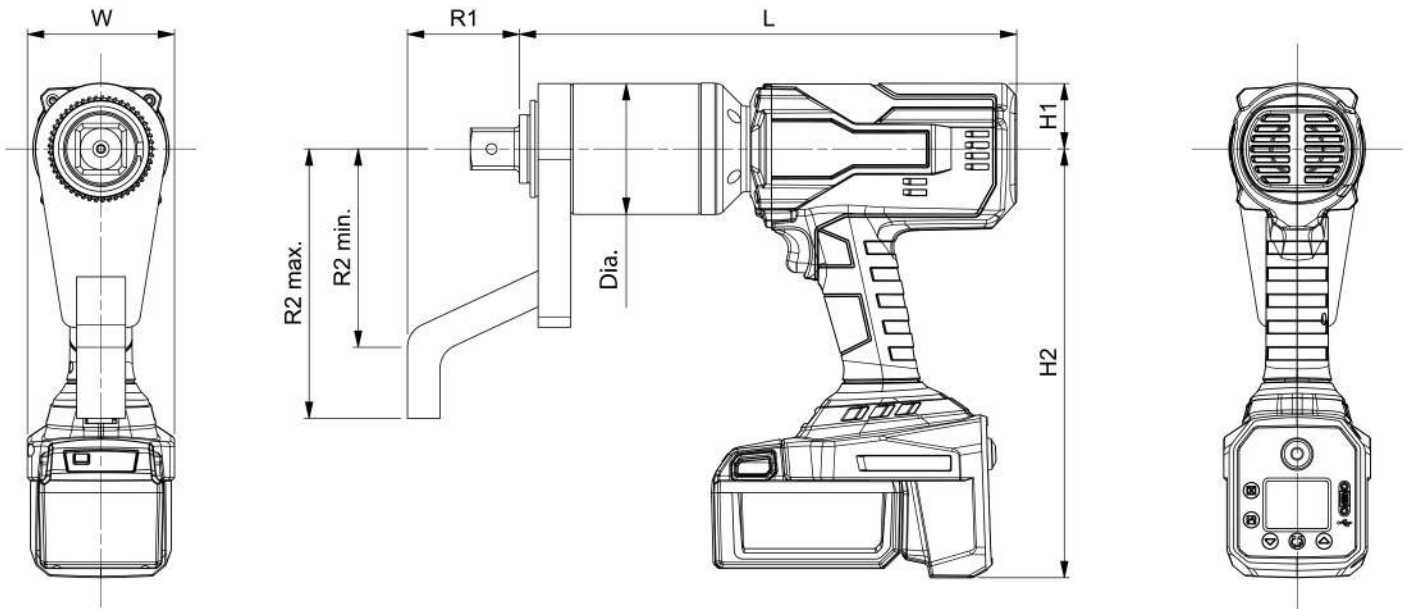
CTM comes supplied as standard with complimentary PC software for data management and tool configuration. CTM also offers great flexibility in connection possibilities as it can be interfaced with third party production control software.

**Send 'Log Results'** in real time

**Output Results in CSV Format** for users not able to use included software

### KEY FEATURES

- Multiple units of torque measurement, including ft. lbs. and Nm
- Torque, Torque & Angle with Final Torque and Torque Audit functionality available in 'Advanced' mode
- Optional 'Ease of Use' functionality when in 'Torque Only' mode, minimizing operator error
- Clear indication of successful joint application



## Heavy Duty Cordless Torque Multiplier Specifications

Stock No.	Drive Size	Torque Range		Dimensions inches (mm)								Tool Weight lbs. (kg)	Reaction Weight lbs. (kg)	Max Output Speed (RPM)
		ft. lbs.	Nm	Dia.	H1	H2	L	R1	R2 Min	R2 Max	W			
CTM1000	1"	250-1,000	200-1,350	3.62 (72)	1.57 (40)	10.3 (262)	12.48 (317)	3 (76)	4.88 (124)	6.57 (167)	3.54 (90)	13.67 (6.2)	3.09 (1.4)	32
CTM2000	1"	500-2,000	400-2,700	3.15 (80)	1.57 (40)	10.3 (262)	13.11 (333)	3 (76)	4.88 (124)	6.57 (167)	3.54 (90)	14.33 (6.5)	3.09 (1.4)	13
CTM3000	1"	750-3,000	800-4,000	3.62 (92)	1.57 (40)	10.3 (262)	15.24 (387)	2.75 (70)	4.92 (125)	6.89 (175)	(90)	18.74 (8.5)	5.51 (2.5)	9.5

