



User Manual

Industrial Borescope PCE-VE 270 Series



User manuals in various languages (français, italiano, español, português, nederlands, türk, polski, русский, 中文) can be found by using our product search on: www.pce-instruments.com

Last change: 5 January 2021
v1.0



Contents

1	Safety notes	1
2	Specifications	2
2.1	Technical specifications base unit	2
2.2	Technical specifications camera cable	2
2.3	Delivery scope.....	3
3	System description	3
4	Preparation	4
5	Operation	4
5.1	On / off	4
5.2	Settings.....	4
5.3	Image settings.....	6
5.4	Image / video	7
5.5	Camera setting.....	7
6	Outputs	8
6.1	USB	8
6.2	HDMI.....	8
7	Troubleshooting	8
8	Contact	9
9	Disposal	9

1 Safety notes

Please read this manual carefully and completely before you use the device for the first time. The device may only be used by qualified personnel and repaired by PCE Instruments personnel. Damage or injuries caused by non-observance of the manual are excluded from our liability and not covered by our warranty.

- The device must only be used as described in this instruction manual. If used otherwise, this can cause dangerous situations for the user and damage to the meter.
- The instrument may only be used if the environmental conditions (temperature, relative humidity, ...) are within the ranges stated in the technical specifications. Do not expose the device to extreme temperatures, direct sunlight, extreme humidity or moisture.
- Do not expose the device to shocks or strong vibrations.
- The case should only be opened by qualified PCE Instruments personnel.
- Never use the instrument when your hands are wet.
- You must not make any technical changes to the device.
- The appliance should only be cleaned with a damp cloth. Use only pH-neutral cleaner, no abrasives or solvents.
- The device must only be used with accessories from PCE Instruments or equivalent.
- Before each use, inspect the case for visible damage. If any damage is visible, do not use the device.
- Do not use the instrument in explosive atmospheres.
- The measurement range as stated in the specifications must not be exceeded under any circumstances.
- Non-observance of the safety notes can cause damage to the device and injuries to the user.
- The borescope was developed for industrial use and must not be used for medical purposes.

We do not assume liability for printing errors or any other mistakes in this manual.

We expressly point to our general guarantee terms which can be found in our general terms of business.

If you have any questions please contact PCE Instruments. The contact details can be found at the end of this manual.



2 Specifications

2.1 Technical specifications base unit

Specification	Explanation
Display	IPS LC display
Size	5"
Resolution	854 x 480 pixels
Highlight compensation (HLC)	yes
Backlight compensation (BLC)	yes
Display mirroring and rotation	yes
Zoom	4-fold digital
Freeze display	yes
Menu language	German, English, French, Chinese, Spanish, Japanese, Russian, Portuguese, Korean
Image Format Resolution	JPEG 400 x 400 pixels
Video Format Resolution	MP4 H.264 400 x 400 pixels
Outputs USB TV	USB 2 Micro HDMI
Memory	Micro SD card (up to 32 GB)
Power supply Rechargeable battery Operating time Charging	3.7 V lithium-ion battery 5200 mAh ≥6 hours via USB socket
Charger / plug-in mains adaptor Input Output	110 ... 230 V AC / 0.3 A 5 V DC / 1 A (USB)

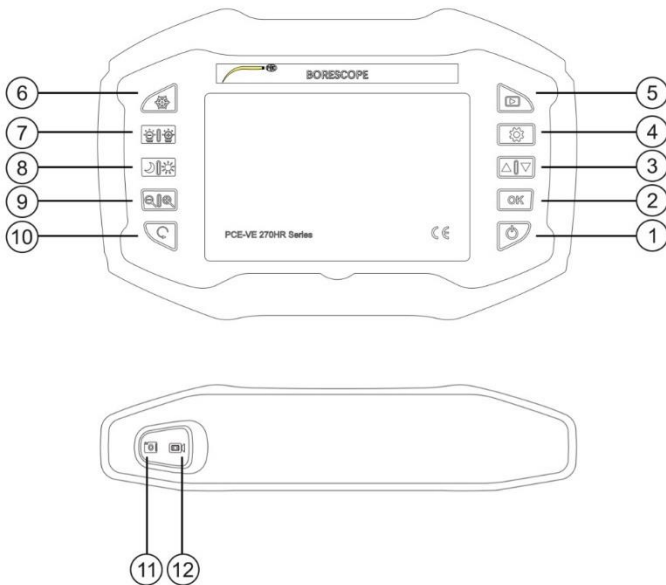
2.2 Technical specifications camera cable

Specification	Model		
Model comes with probe	PCE-VE 270HR PCE-VE 270HR- PROBE	PCE-VE 270SV PCE-VE 270HR-SV- PROBE	PCE-VE 270HRS PCE-VE 270HR-2,1- PROBE
Diameter	2.8 mm	3 mm	2.1 mm
Length	2000 mm	2000 mm	1000 mm
Number of LEDs	4	2	4
Viewing angle	Frontal 0°	Lateral 90°	Frontal 0°
Field of view	120°	120°	120°
Depth of field	5 ... 50 mm	5 ... 50 mm	5 ... 50 mm
Image sensor	1/18" CMOS	1/18" CMOS	1/18" CMOS
Image sensor resolution	400 x 400 px	400 x 400 px	400 x 400 px
HLC / BLC	yes	yes	yes
Protection class	IP 67	IP 67	IP 67
Temperature range	-10 ... 50 °C	-10 ... 50 °C	-10 ... 50 °C

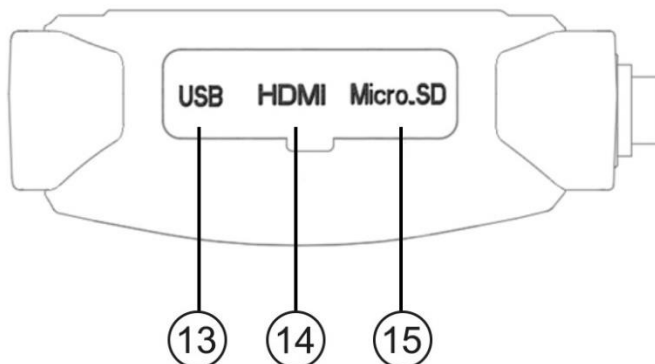
2.3 Delivery scope

- 1 x borescope base unit PCE-VE 270
- 1 x borescope cable depending on version
- 1 x charger
- 1 x HDMI cable
- 1 x micro USB cable
- 1 x stand
- 1 x carrying case
- 1 x user manual

3 System description



- | | |
|----------------|--|
| ① On / Off | ⑥ Freeze display |
| ② OK | ⑦ Camera LED brightness |
| ③ Up / Down | ⑧ Highlight compensation /
backlight compensation |
| ④ Settings | ⑨ Zoom |
| ⑤ Open memory | ⑩ Mirror / rotate image |
| ⑪ Toggle image | ⑫ Toggle video |



⑬ USB socket

⑮ SD card slot

⑭ HDMI socket

4 Preparation

- Fully charge the base unit using the plug-in mains adaptor and the USB cable.
- Insert the SD card into the card slot (if it is not inserted on delivery). To do this, push the protective rubber on the right-hand side of the unit back a little and open the cover.
- Insert the plug of the borescope cable into the socket located on the head side of the base unit (only fits in one position). Lock the borescope cable in place with the union nut.
- Switch on the unit and set the parameters language, time, date, etc. in the menu according to your requirements, as described under "Operation".

5 Operation

5.1 On / off

To switch on:

Press and hold the key ① "On / Off" for 3 seconds.

To switch off:

Press and hold the key ① "On / Off" for 3 seconds.

5.2 Settings

Press the key ④ "Settings".

5.2.1 Language

Use the arrow keys ③ to select the option "Language".

Confirm the selection with the ② "OK" key.

Use the arrow keys ③ to select the desired language.

Confirm the selection with the ② "OK" key.

Press the key ④ "Settings" to exit setup mode.

5.2.2 Date & Time

Use the arrow keys ③ to select the option "Date & Time".

Confirm the selection with the ② "OK" key.

Use the arrow keys ③ to select the current year, month and day in the given order.

Confirm the respective selection with the ④ "Settings" key.

Use the arrow keys ③ to select the current hour and minute in the given order.

Confirm the respective selection with the ④ "Settings" key.

Use the arrow keys ③ to select the desired date format.

Confirm the selection with the ④ "Settings" key.

Confirm the entries with the ② "OK" key.

Press the key ④ "Settings" to exit setup mode.

5.2.3 Power Save

The power-saving function switches off the unit after the set inactivity time (no key pressed).

Use the arrow keys ③ to select the option "Power Save".

Confirm the selection with the "OK" key ②.

Use the arrow keys ③ to select the power-off time.

Confirm the selection with the "OK" key ②.

5.2.4 Date Stamp

With the "Date Stamp" function you can add a time stamp to the images.

Use the arrow keys ③ to select the option "Date Stamp".

Confirm the selection with the ② "OK" key.

Use the arrow keys ③ to select the desired format or "Off".

Confirm the selection with the ② "OK" key.

Press key ④ "Settings" to exit setup mode.

5.2.5 Format

With the "Format" function, you can format the SD card in the unit.

Use the arrow keys ③ to select the option "Format".

Confirm the selection with the ② "OK" key.

Use the arrow keys ③ to select "Yes" (format SD card) or "No" (do not format).

Confirm the selection with the "OK" key ②.

Press the key ④ "Settings" to exit setup mode.



5.2.6 Reset All

Use the "Reset All" function to reset the unit to its factory settings.

Use the arrow keys ③ to select the option "Reset All".
Confirm the selection with the "OK" key ②.

Use the arrow keys ③ to select "Yes" or "No".
Confirm the selection with the ② "OK" key.

Press the key ④ "Settings" to exit setup mode.

5.2.7 About

You can use this function to view information about the unit.

5.2.8 FW Update

If necessary, a new firmware can be installed via the "FW Update" function.


This may only be necessary in the event of malfunctions that cannot be remedied by resetting the instrument to factory settings. To update the firmware, insert an SD card with the corresponding file.

Use the arrow keys ③ to select the option "FW Update".
Confirm the selection with the "OK" key ②.
Use the arrow keys ③ to select "Yes" or "No".
Confirm the selection with the ② "OK" key.


Press the key ④ "Settings" to exit setup mode.

5.3 Image settings


5.3.1 Colour setting

Navigate to the icon  on the right edge of the screen with the arrow keys ③.
With the "OK" key ② you can switch between the modes colour, black and white or negative.
The setting is adopted for image and video recordings.


5.3.2 Screen size

Navigate to the  icon on the right edge of the screen with the arrow keys ③.
Press the "OK" key ② to switch between normal image and widescreen mode.
The widescreen setting is not adopted for image and video recordings.

5.3.3 Gridlines

Navigate to the icon  on the right edge of the screen with the arrow keys ③.
With the "OK" key ② you can switch between the modes without or with grid in 3 grid sizes (2 x 4, 8 x 4, 16 x 8).
The grid setting is not adopted for image and video recordings.

5.3.4 White balance

Navigate to the icon  on the right edge of the screen with the arrow keys (3). With the "OK" key (2) you can switch between the modes without or with automatic white balance. The setting is adopted for image and video recordings.

5.4 Image / video

5.4.1 Image

To take a picture, toggle the switch to image position (11). The images are stored on the memory card in JPEG format.

5.4.2 Video

To record a video, toggle the switch to video position (12). The recording time is shown on the left-hand side of the display. During recording, the "Freeze" key (6) can be used to select between colour, black and white or negative modes. To stop recording, toggle the switch (12) again. The videos are stored on the memory card in MP4 format.

5.4.3 Memory

To view the saved images and videos, go to the memory area by pressing key (5) "Open memory". Use the "image / video toggle switch" (11) (12) to open the respective memory area. Use the arrow keys (3) to scroll through the images / videos. The "OK" key (2) starts or ends the video. Press key (5) "Open memory" again to exit memory view.

5.5 Camera setting

The status of the respective settings is shown on the left edge of the display.

5.5.1 Freeze image

Press key (6) "Freeze" to freeze the image. Press it again to cancel this mode.

5.5.2 LED brightness

The LEDs on the camera can be adjusted to the lighting conditions in 5 brightness levels with the (7) "Brightness" key.

5.5.3 Highlight compensation / backlight compensation

The highlight compensation / backlight compensation can be adjusted to the conditions with the key (8) "Backlight compensation / background light suppression".



5.5.4 Zoom

The digital zoom can be adjusted in 4 steps with key ⑨ "Zoom":
Normal, 2x, 4x, 8x

5.5.5 Mirror / rotate image

With key ⑩ "Image mirroring / rotation" it is possible to mirror and / or rotate the picture.

6 Outputs

6.1 USB

The USB output ⑬ is used to transfer the saved data from the SD card to the PC.
Mirroring the displayed image onto a PC is not possible.
Furthermore, the USB port is needed to charge the battery.

6.2 HDMI

External imaging devices can be connected via the HDMI output ⑭.
When the HDMI cable is connected, the display of the PCE-VE 270 is switched off. The display content is only transferred to the external device.

7 Troubleshooting

Error	Cause	Solution
Display remains dark after switching on	Battery flat or in safety mode	Connect the mains adaptor and charge the battery
No picture, only status icons on the display	Camera cable not connected correctly or defective	Reconnect or replace camera cable
No image or video recording possible	No or wrong SD card	Insert or replace SD card
Display message "Please format the SD card".	SD card is not or incorrectly formatted or not compatible	Format or replace SD card
Instrument crashes	Disturbed video signal	Reset: press and hold the On / Off key for 8 seconds, then switch the unit back on.

8 Contact

If you have any questions, suggestions or technical problems, please do not hesitate to contact us. You will find the relevant contact information at the end of this user manual.

9 Disposal

For the disposal of batteries in the EU, the 2006/66/EC directive of the European Parliament applies. Due to the contained pollutants, batteries must not be disposed of as household waste. They must be given to collection points designed for that purpose.

In order to comply with the EU directive 2012/19/EU we take our devices back. We either re-use them or give them to a recycling company which disposes of the devices in line with law.

For countries outside the EU, batteries and devices should be disposed of in accordance with your local waste regulations.

If you have any questions, please contact PCE Instruments.





PCE Instruments contact information

Germany

PCE Deutschland GmbH
Im Langel 4
D-59872 Meschede
Deutschland
Tel.: +49 (0) 2903 976 99 0
Fax: +49 (0) 2903 976 99 29
info@pce-instruments.com
www.pce-instruments.com/deutsch

United Kingdom

PCE Instruments UK Ltd
Unit 11 Southpoint Business Park
Ensign Way, Southampton
Hampshire
United Kingdom, SO31 4RF
Tel: +44 (0) 2380 98703 0
Fax: +44 (0) 2380 98703 9
info@pce-instruments.co.uk
www.pce-instruments.com/english

The Netherlands

PCE Brookhuis B.V.
Institutenweg 15
7521 PH Enschede
Nederland
Telefoon: +31 (0)53 737 01 92
info@pcebenelux.nl
www.pce-instruments.com/dutch

United States of America

PCE Americas Inc.
1201 Jupiter Park Drive, Suite 8
Jupiter / Palm Beach
33458 FL
USA
Tel: +1 (561) 320-9162
Fax: +1 (561) 320-9176
info@pce-americas.com
www.pce-instruments.com/us

France

PCE Instruments France EURL
23, rue de Strasbourg
67250 Soultz-Sous-Forêts
France
Téléphone: +33 (0) 972 3537 17
Numéro de fax: +33 (0) 972 3537 18
info@pce-france.fr
www.pce-instruments.com/french

Italy

PCE Italia s.r.l.
Via Pesciatina 878 / B-Interno 6
55010 Loc. Gragnano
Capannori (Lucca)
Italia
Telefono: +39 0583 975 114
Fax: +39 0583 974 824
info@pce-italia.it
www.pce-instruments.com/italiano

China

PCE (Beijing) Technology Co., Limited
1519 Room, 6 Building
Zhong Ang Times Plaza
No. 9 Mentougou Road, Tou Gou District
102300 Beijing, China
Tel: +86 (10) 8893 9660
info@pce-instruments.cn
www.pce-instruments.cn

Spain

PCE Ibérica S.L.
Calle Mayor, 53
02500 Tobarra (Albacete)
España
Tel. : +34 967 543 548
Fax: +34 967 543 542
info@pce-iberica.es
www.pce-instruments.com/espanol

Turkey

PCE Teknik Cihazları Ltd.Şti.
Halkalı Merkez Mah.
Pehlivan Sok. No.6/C
34303 Küçükçekmece - İstanbul
Türkiye
Tel: 0212 471 11 47
Faks: 0212 705 53 93
info@pce- cihazlari.com.tr
www.pce-instruments.com/turkish

Hong Kong

PCE Instruments HK Ltd.
Unit J, 21/F., COS Centre
56 Tsun Yip Street
Kwun Tong
Kowloon, Hong Kong
Tel: +852-301-84912
jyi@pce-instruments.com
www.pce-instruments.cn