

SOLUS Ultra® Accessories

Stock No.	Description
2-04650A	Battery Pack
2-60666A	Power Supply
EAA0355L10A	GM®-1 Adaptor
EAA0355L20C	Ford®-1A Adaptor
EAA0355L30A	Chrysler®-1 Adaptor
EAA0355L31A	Chrysler®-2 Adaptor
EAA0355L40A	Nissan®-1 Adaptor
EAA0355L42A	Multi-2 Import Adaptor
EAA0355L49A	Jeep®-1 Adaptor
EAA0355L50A	Toyota®-1 Adaptor
EAA0355L51A	Hyundai®-2 Adaptor
EAA0355L52A	Toyota®-2 Adaptor
EAA0355L53A	Mazda®-1 Adaptor
EAA0355L56A	VW®-1 Adaptor
EAA0355L58A	Nissan®-2 Adaptor
EAA0355L62A	Mercedes-Benz® Adaptor
EAA0355L70A	Ford®-4 Adaptor
EAA0355L74A	BMW® Adaptor
EAA0355L75A	MB-2A Adaptor
EAA0355L90B	Multi-1 Universal Adaptor
EAA0355L93A	Data Cable Converter, Adaptor J1962 to DB15M
EAC0111L40A3	Screen Guards, SOLUS Ultra®
EAK0301B06B	European Vehicle Personality Key Kit
EAK0301B07D	European Vehicle Keys and Adaptors Kit
EAK0301B10B	Scan Adaptor Set, OBD-I, Pre-1996
EAK0312L19A	Carry Case, Padded
EAK0347L01A	Smart Vehicle Interface for Harley-Davidson®
EAX0066L04B	Power Cable, Battery Clip, 12 V
EAX0066L05B	USB Interface Cable
EAX0066L07A	Power Sports, Battery Clip, Charger Connector, 12 V
EAX0066L10B	Power Cable, Power Outlet Plug, 12 V
EAX0066L41A	Ground Leads
EAX0066L43A	Adaptor Wire Terminal Kit
EAX0068L10B	Cable, Data, Extended Length, 9'

SOLUS Ultra® SOLUS™ Edge



2-04650A



2-04650A



EAC0111L40A3



EAK0301B07D

EAX0066L05B

SOLUS Edge™ Accessories

Stock No.	Description
2-06250A	Battery Pack
2-60666A	Power Supply
EAA0355L93A	Data Cable Converter, Adaptor J1962 to DB15M
EAC0111L76A3	Display Protectors
EAC0118L46A	Hard Shell Carry Case
EAK0301B06B	European Vehicle Personality Key Kit
EAK0301B07D	European Vehicle Keys and Adaptors Kit
EAK0301B10B	Scan Adaptor Set, OBD-I, Pre-1996
EAK0312L19A	Carry Case, Padded
EAK0313L05A	Compact Tote Case
EAK0347L01A	Smart Vehicle Interface for Harley-Davidson®
EAX0066L04B	Power Cable, Battery Clip, 12 V
EAX0066L05B	USB Interface Cable
EAX0066L10B	Power Cable, Power Outlet Plug, 12 V
EAX0068L10B	Cable, Data, Extended Length, 9'
SOLVANEFOAM3	Foam Drawer Inserts, SOLUS™ Series and VANTAGE® Series for KRSC30/31/32 Series Roll Carts
SOLVANEFOAM4	Foam Drawer Inserts, SOLUS™ Series and VANTAGE® Series for KRSC40/46 Series Roll Carts



EAX0066L07A



EAX0066L10B



EAX0068L10B



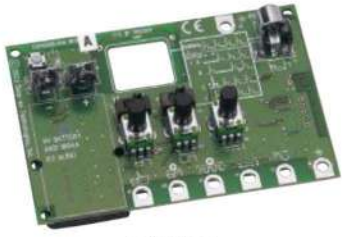
- Read and follow safety messages in the instructions.
- Do not use in environment with explosive vapor.
- Read Safety Precautions on pages W1-W4

VANTAGE® Ultra/ VANTAGE® Legend ACCESSORIES

**VANTAGE® Ultra
VANTAGE® Legend**



EAC0056L00A



EESX306A



1-12085A



6-03022A



EEMS324PSA



EETA309A05A



EEPV302AH



EETM306A11

**VANTAGE® Ultra/
VANTAGE® Legend Accessories**

Stock No.	Description
1-12085A	Storage Bag
2-04650A	Battery Pack
2-06433A1	Black Alligator Clip
2-06433A4	Yellow Alligator Clip
2-06433A5	Green Alligator Clip
2-09542A1	Test Probe Scope
2-09542A2	Test Probe Scope Red
2-60666A	Power Supply
6-03022A	Channel 1 Yellow/Black Lead
6-03122A	Channel 2 Green/Black Lead
APOVANFOAM2	Foam Drawer Inserts, APOLLO-D8™/VANTAGE® Series for KRSC246 Cart
APOVANFOAM3	Foam Drawer Inserts, APOLLO-D8™/VANTAGE® Series for 3-Series Carts
APOVANFOAM4	Foam Drawer Inserts, APOLLO-D8™/VANTAGE® Series for 4-Series Carts
EAC0056L00A	Pickup, 1-Flag, Generic COP/CIC Adaptor
EAC0056L03A	Pickup, Stick, Generic COP/CIC Adaptor
EAC0111L76A3	Display Protectors
EAK0312L19A	Carry Case, Padded
EAK0313L05A	Compact Tote Case
EAX0024B10A	Pressure Transducer Cable
EAX0024B30A	Pressure Transducer Extension Cable, 6'

Stock No.	Description
EAX0066L05B	USB Interface Cable
EEMS324PSA	Adaptor, Pressure Transducer
EEPV302AH	Pressure Transducer with Cable, 0–5,000 PSI
EEPV302AL	Pressure Transducer with Cable, 0–100 PSI
EEPV302AT	Pressure Transducer with Cable, 0–500 PSI
EESX306A	Generator, Diagnostic Waveform
EETA309A05A	Secondary Coil Adaptor Lead
EETA308D	Precision Low Amp Probe
EETM306A02	Secondary Ignition Clip-On Wire Adaptor
EETM306A04	Adaptor, Ignition Coil, Chrysler® (COP-2)
EETM306A05	CIC-2 Ignition Pickup
EETM306A08	Adaptor, Ignition Coil, Acura®/Honda®/Isuzu® (COP-4)
EETM306A09	Adaptor, Ignition Coil, Volvo®/BMW® (COP-5)
EETM306A10	Adaptor, Ignition Coil, Mercedes-Benz® (COP-6)
EETM306A11	Adaptor, Ignition Coil, Mercedes-Benz® Dual (COP-7)
EETM306A12	Adaptor, Ignition Coil, BMW® (COP-8)
EETM306A13	Adaptor, Ignition Coil, Lexus® (COP-9)
EETM306A14	Adaptor, Ignition Coil, Chrysler®/Jeep®/Lexus®/Toyota® (COP-11)
SOLVANEF0AM3	Foam Drawer Inserts, SOLUS™ Series and VANTAGE® Series for KRSC30/31/32 Series Roll Carts
SOLVANEF0AM4	Foam Drawer Inserts, SOLUS™ Series and VANTAGE® Series for KRSC40/46 Series Roll Carts



EAC0056L03A



EEPV302AH



EETM306A02



EETM306A14

MODIS Edge™ Accessories

Stock No.	Description
1-12085A	Storage Bag
2-06250A	Battery Pack
2-06433A1	Black Alligator Clip
2-06433A4	Yellow Alligator Clip
2-06433A5	Green Alligator Clip
2-09542A1	Test Probe Scope
2-09542A2	Test Probe Scope Red
2-60666A	Power Supply
6-03022A	Channel 1 Yellow/Black Lead
6-03122A	Channel 2 Green/Black Lead
EAA0355L93A	Data Cable Converter, Adaptor J1962 to DB15M
EAC0056L00A	Pickup, 1-Flag, Generic COP/CIC Adaptor
EAC0056L03A	Pickup, Stick, Generic COP/CIC Adaptor
EAC0111L76A3	Display Protectors
EAC0118L46A	Hard Shell Carry Case
EAK0301B06B	European Vehicle Personality Key Kit
EAK0301B07D	European Vehicle Keys and Adaptors Kit
EAK0301B10B	Scan Adaptor Set, OBD-I, Pre-1996
EAK0312L19A	Carry Case, Padded
EAK0313L05A	Compact Tote Case
EAK0347L01A	Smart Vehicle Interface for Harley-Davidson®
EAX0024B30A	Pressure Transducer Extension Cable, 6'

Stock No.	Description
EAX0066L04B	Power Cable, Battery Clip, 12 V
EAX0066L05B	USB Interface Cable
EAX0066L10B	Power Cable, Power Outlet Plug, 12 V
EEMS324PSA	Adaptor, Pressure Transducer
EEPV302AH	Pressure Transducer with Cable, 0–5,000 PSI
EEPV302AL	Pressure Transducer with Cable, 0–100 PSI
EEPV302AT	Pressure Transducer with Cable, 0–500 PSI
EETA308D	Precision Low Amp Probe
EETA309A05A	Secondary Coil Adaptor Lead
EETM306A02	Secondary Ignition Clip-On Wire Adaptor
EETM306A05	CIC-2 Ignition Pickup
EETM306A08	Adaptor, Ignition Coil, Acura®/Honda®/Isuzu® (COP-4)
EETM306A09	Adaptor, Ignition Coil, Volvo®/BMW® (COP-5)
EETM306A10	Adaptor, Ignition Coil, Mercedes-Benz® (COP-6)
EETM306A11	Adaptor, Ignition Coil, Mercedes-Benz® Dual (COP-7)
EETM306A12	Adaptor, Ignition Coil, BMW® (COP-8)
EETM306A13	Adaptor, Ignition Coil, Lexus® (COP-9)
EETM306A14	Adaptor, Ignition Coil, Chrysler®/Jeep®/Lexus®/Toyota® (COP-11)
MODISEFOAM3	Foam Drawer Inserts, MODIS Edge™, KRSC30/31/32/33 Series Roll carts
MODISEFOAM4	Foam Drawer Inserts, MODIS Edge™, KRSC40/46 Series Roll carts

P1000™ ACCESSORIES



EAK0347L30A



EAX0066L07A



EAX0066L10B

P1000™ Accessories

Stock No.	Description
2-06250A	Battery Pack
2-60666A	Power Supply
EAC0110L35A3	Display Protectors
EAK0301B06B	European Vehicle Personality Key Kit
EAK0301B07D	European Vehicle Keys and Adaptors Kit
EAK0301B10B	Scan Adaptor Set, OBD-I, Pre-1996
EAK0312L19A	Carry Case, Padded
EAK0313L05A	Compact Tote Case
EAK0347L20A	Smart Vehicle Interface Adaptor Kit, BMW®
EAK0347L21A	Smart Vehicle Interface Adaptor Kit, DLC Adaptor
EAK0347L22A	Smart Vehicle Interface Adaptor Kit, Harley-Davidson®
EAK0347L23A	Smart Vehicle Interface Adaptor Kit, Indian® and Victory®

Stock No.	Description
EAK0347L24A	Smart Vehicle Interface Adaptor Kit, Ducati®
EAK0347L25A	Smart Vehicle Interface Adaptor Kit, Suzuki®
EAK0347L26A	Smart Vehicle Interface Adaptor Kit, Honda®
EAK0347L27A	Smart Vehicle Interface Adaptor Kit, Kawasaki®-1
EAK0347L28A	Smart Vehicle Interface Adaptor Kit, Kawasaki®-2
EAK0347L29A	Smart Vehicle Interface Adaptor Kit, Kawasaki®-3
EAK0347L30A	Smart Vehicle Interface Adaptor Kit, Yamaha®
EAK0347L35A	Smart Vehicle Interface Adaptor Kit, ISO-1, All Makes
EAX0066L07A	Power Sports, Battery Clip, Charger Connector, 12 V
EAX0066L10B	Power Cable, Power Outlet Plug, 12 V
EAX0066L81A	USB Interface Cable



- Read and follow safety messages in the instructions.
- Do not use in environment with explosive vapor.
- Read Safety Precautions on pages W1–W4

MODIS™ ULTRA ACCESSORIES



2-04650A



2-09542A1



2-09542A2



EAC0111L76A3



EETM306A05



EETM306A14

MODIS™ Ultra Accessories

Stock No.	Description
2-04650A	Battery Pack
2-06433A1	Black Alligator Clip
2-06433A4	Yellow Alligator Clip
2-06433A5	Green Alligator Clip
2-09542A1	Test Probe Scope
2-09542A2	Test Probe Scope Red
2-12203A	RCA Gender Adaptor
2-60666A	Power Supply
6-03022A	Channel 1 Yellow/Black Lead
6-03122A	Channel 2 Green/Black Lead
8-09024A	Nylon Carry Bag
EAA0355L10A	GM®-1 Adaptor
EAA0355L20C	Ford®-1A Adaptor
EAA0355L30A	Chrysler®-1 Adaptor
EAA0355L31A	Chrysler®-2 Adaptor
EAA0355L40A	Nissan®-1 Adaptor
EAA0355L42A	Multi-2 Import Adaptor
EAA0355L49A	Jeep®-1 Adaptor
EAA0355L50A	Toyota®-1 Adaptor
EAA0355L51A	Hyundai®-2 Adaptor
EAA0355L52A	Toyota®-2 Adaptor
EAA0355L53A	Mazda®-1 Adaptor
EAA0355L56A	VW®-1 Adaptor
EAA0355L58A	Nissan®-2 Adaptor
EAA0355L62A	Mercedes-Benz® Adaptor
EAA0355L70A	Ford®-4 Adaptor
EAA0355L74A	BMW® Adaptor
EAA0355L75A	MB-2A Adaptor
EAA0355L90B	Multi-1 Universal Adaptor
EAA0355L93A	Data Cable Converter, Adaptor J1962 to DB15M
EAC0056L00A	Pickup, 1-Flag, Generic COP/CIC Adaptor
EAC0056L03A	Pickup, Stick, Generic COP/CIC Adaptor

Stock No.	Description
EAC0111L76A3	Display Protectors
EAC0131L00A	Cable Hook
EAK0301B06B	European Vehicle Personality Key Kit
EAK0301B07D	European Vehicle Keys and Adaptors Kit
EAK0301B10B	Scan Adaptor Set, OBD-I, Pre-1996
EAK0312L19A	Carry Case, Padded
EAK0313L05A	Compact Tote Case
EAK0347L01A	Smart Vehicle Interface for Harley-Davidson®
EAX0024B10A	Pressure Transducer Cable
EAX0024B30A	Pressure Transducer Extension Cable, 6'
EAX0066L04B	Power Cable, Battery Clip, 12 V
EAX0066L05B	USB Interface Cable
EAX0066L07A	Power Sports, Battery Clip, Charger Connector, 12 V
EAX0066L10B	Power Cable, Power Outlet Plug, 12 V
EAX0066L41A	Ground Leads
EAX0066L43A	Adaptor Wire Terminal Kit
EEMS324PSA	Adaptor, Pressure Transducer
EEPV302AH	Pressure Transducer with Cable, 0-5,000 PSI
EEPV302AL	Pressure Transducer with Cable, 0-100 PSI
EEPV302AT	Pressure Transducer with Cable, 0-500 PSI
EETA308D	Precision Low Amp Probe
EETA309A05A	Secondary Coil Adaptor Lead
EETM306A02	Secondary Ignition Clip-On Wire Adaptor
EETM306A05	CIC-2 Ignition Pickup
EETM306A08	Adaptor, Ignition Coil, Acura®/Honda®/Isuzu® (COP-4)
EETM306A09	Adaptor, Ignition Coil, Volvo®/BMW® (COP-5)
EETM306A10	Adaptor, Ignition Coil, Mercedes-Benz® (COP-6)
EETM306A11	Adaptor, Ignition Coil, Mercedes-Benz® Dual (COP-7)
EETM306A12	Adaptor, Ignition Coil, BMW® (COP-8)
EETM306A13	Adaptor, Ignition Coil, Lexus® (COP-9)
EETM306A14	Adaptor, Ignition Coil, Chrysler®/Jeep®/Lexus®/Toyota® (COP-11)


EAA0365L06A

EAC0107L03A5

EAK0301B14A

EETA308D

EAK0301L03A

EETM306A09
VERDICT®
VERDICT® Accessories

Stock No.	Description
6-07121A	Power Cord for 2-04339A Power Supply
EAA0365L01A	Docking Station
EAA0365L06A	Battery Pack, Extended Life
EAC0107L03A5	Screen Protector Sheets, VERDICT®
EAK0301B07D	European Vehicle Keys and Adaptors Kit
EAK0301B10B	Scan Adaptor Set, OBD-I, Pre-1996
EAK0301B14A	Scope/Meter, Two Channel, M2
EAK0301L01A1	Scope/Meter Power Supply, Replacement, AC, with Cord
EAK0301L03A	Test Leads, Scope/Meter, Replacement
EEMS324PSA	Adaptor, Pressure Transducer
EEPV302AH	Pressure Transducer with Cable, 0-5,000 PSI
EEPV302AL	Pressure Transducer with Cable, 0-100 PSI
EEPV302AT	Pressure Transducer with Cable, 0-500 PSI
EETA308D	Precision Low Amp Probe
EETA309A05A	Secondary Coil Adaptor Lead
EETM306A02	Secondary Ignition Clip-On Wire Adaptor
EETM306A05	CIC-2 Ignition Pickup
EETM306A08	Adaptor, Ignition Coil, Acura®/Honda®/Isuzu® (COP-4)
EETM306A09	Adaptor, Ignition Coil, Volvo®/BMW® (COP-5)
EETM306A10	Adaptor, Ignition Coil, Mercedes-Benz® (COP-6)
EETM306A11	Adaptor, Ignition Coil, Mercedes-Benz® Dual (COP-7)
EETM306A12	Adaptor, Ignition Coil, BMW® (COP-8)
EETM306A13	Adaptor, Ignition Coil, Lexus® (COP-9)
EETM306A14	Adaptor, Ignition Coil, Chrysler®/Jeep®/Lexus®/Toyota® (COP-11)



- Read and follow safety messages in the instructions.
- Do not use in environment with explosive vapor.
- Read Safety Precautions on pages W1-W4

VERUS® Edge ACCESSORIES

VERUS® Edge



6-03022A



EAK0301B06B



EETA309A15



VERUSEFOAM3

VERUS® Edge Accessories

Stock No.	Description
2-04339A	Power Supply
2-06433A1	Black Alligator Clip
2-06433A2	Red Alligator Clip
2-06433A3	Blue Alligator Clip
2-06433A4	Yellow Alligator Clip
2-06433A5	Green Alligator Clip
2-09542A1	Test Probe Scope
2-09542A2	Test Probe Scope Red
6-03022A	Channel 1 Yellow/Black Lead
6-03122A	Channel 2 Green/Black Lead
6-03222A	Channel 3 Blue Lead
6-03322A	Channel 4 Red Lead
6-07121A	Power Cord for 2-04339A Power Supply
EAA0355L93A	Data Cable Converter, Adaptor J1962 to DB15M
EAA0418L04A	Docking Station
EAA0418L05A	Battery Pack
EAA0418L11A	Stylus with Two Spare Tips
EAC0056L00A	Pickup, 1-Flag, Generic COP/CIC Adaptor
EAC0056L02A	Pickup, 3-Flag, Generic COP/CIC Adaptor
EAC0056L03A	Pickup, Stick, Generic COP/CIC Adaptor
EAC0107L19A1	Tempered Glass Screen Protector
EAK0294B09A	Ignition Lead Kit
EAK0301B06B	European Vehicle Personality Key Kit
EAK0301B07D	European Vehicle Keys and Adaptors Kit
EAK0301B10B	Scan Adaptor Set, OBD-I, Pre-1996
EAK0333L20A	Carry Case, Padded

Stock No.	Description
EAK0347L01A	Smart Vehicle Interface for Harley-Davidson®
EAX0024B10A	Pressure Transducer Cable
EAX0024B30A	Pressure Transducer Extension Cable, 6'
EAX0066L04B	Power Cable, Battery Clip, 12 V
EAX0066L10B	Power Cable, Power Outlet Plug, 12 V
EAX0068L10B	Cable, Data, Extended Length, 9'
EEMS301A05	Split Lead Adaptor
EEPV302AH	Pressure Transducer with Cable, 0-5,000 PSI
EEPV302AL	Pressure Transducer with Cable, 0-100 PSI
EEPV302AT	Pressure Transducer with Cable, 0-500 PSI
EETA308D	Precision Low Amp Probe
EETA309A05A	Secondary Coil Adaptor Lead
EETA309A15	Secondary Ignition, SIA2000 Adaptor
EETM303A05A	Inductive RPM Pickup
EETM306A02	Secondary Ignition Clip-On Wire Adaptor
EETM306A05	CIC-2 Ignition Pickup
EETM306A08	Adaptor, Ignition Coil, Acura®/Honda®/Isuzu® (COP-4)
EETM306A09	Adaptor, Ignition Coil, Volvo®/BMW® (COP-5)
EETM306A10	Adaptor, Ignition Coil, Mercedes-Benz® (COP-6)
EETM306A11	Adaptor, Ignition Coil, Mercedes-Benz® Dual (COP-7)
EETM306A12	Adaptor, Ignition Coil, BMW® (COP-8)
EETM306A13	Adaptor, Ignition Coil, Lexus® (COP-9)
EETM306A14	Adaptor, Ignition Coil, Chrysler®/Jeep®/Lexus®/Toyota® (COP-11)
VERUSEFOAM3	Foam Drawer Inserts, VERUS® Edge, KRSC 3-Series Carts
VERUSEFOAM4	Foam Drawer Inserts, VERUS® Edge, KRSC 4-Series Carts


3-06206A02

EAX0066L22A

EAK0301B07D
VERUS® PRO Accessories

Stock No.	Description
2-06433A1	Black Alligator Clip
2-06433A2	Red Alligator Clip
2-06433A3	Blue Alligator Clip
2-06433A4	Yellow Alligator Clip
2-06433A5	Green Alligator Clip
2-09542A1	Test Probe Scope
2-09542A2	Test Probe Scope Red
2-12203A	RCA Gender Adaptor
3-06206A02	Stylus, Nylon, Black (2-pack)
6-03022A	Channel 1 Yellow/Black Lead
6-03122A	Channel 2 Green/Black Lead
6-03222A	Channel 3 Blue Lead
6-03322A	Channel 4 Red Lead
6-07121A	Power Cord for 2-04339A Power Supply
6-10622A	M4 USB Cable (9')
8-09024A	Nylon Carry Bag
EAA0355L10A	GM®-1 Adaptor
EAA0355L20C	Ford®-1A Adaptor
EAA0355L30A	Chrysler®-1 Adaptor
EAA0355L31A	Chrysler®-2 Adaptor
EAA0355L40A	Nissan®-1 Adaptor
EAA0355L42A	Multi-2 Import Adaptor
EAA0355L49A	Jeep®-1 Adaptor
EAA0355L50A	Toyota®-1 Adaptor
EAA0355L51A	Hyundai®-2 Adaptor
EAA0355L52A	Toyota®-2 Adaptor
EAA0355L53A	Mazda®-1 Adaptor
EAA0355L56A	VW®-1 Adaptor
EAA0355L58A	Nissan®-2 Adaptor
EAA0355L62A	Mercedes-Benz® Adaptor
EAA0355L70A	Ford®-4 Adaptor
EAA0355L74A	BMW® Adaptor
EAA0355L75A	MB-2A Adaptor
EAA0355L90B	Multi-1 Universal Adaptor
EAA0355L93A	Data Cable Converter, Adaptor J1962 to DB15M
EAA0365B02B	Hard Shell Carry Case
EAA0365L04A	Docking Station
EAA0365L06A	Battery Pack, Extended Life
EAC0056L00A	Pickup, 1-Flag, Generic COP/CIC Adaptor

Stock No.	Description
EAC0056L02A	Pickup, 3-Flag, Generic COP/CIC Adaptor
EAC0056L03A	Pickup, Stick, Generic COP/CIC Adaptor
EAC0131L00A	Cable Hook
EAK0288B04B	OBD-I Domestic/Asian Vehicle Adaptor Kit 1
EAK0294B09A	Ignition Lead Kit
EAK0301B06B	European Vehicle Personality Key Kit
EAK0301B07D	European Vehicle Keys and Adaptors Kit
EAK0301B08A	OBD-I Domestic/Asian Vehicle Adaptor Kit 2
EAK0312L19A	Carry Case, Padded
EAK0347L01A	Smart Vehicle Interface for Harley-Davidson®
EAK0355L10B	Compact Scan Module EESM306B
EAX0024B10A	Pressure Transducer Cable
EAX0024B30A	Pressure Transducer Extension Cable, 6'
EAX0066L04B	Power Cable, Battery Clip, 12 V
EAX0066L07A	Power Sports, Battery Clip, Charger Connector, 12 V
EAX0066L10B	Power Cable, Power Outlet Plug, 12 V
EAX0066L22A	Adaptor Cable
EAX0066L41A	Ground Leads
EAX0066L43A	Adaptor Wire Terminal Kit
EAX0068L02A	Wireless Scan Module USB Cable
EAX0068L10B	Cable, Data, Extended Length, 9'
EEMS301A05	Split Lead Adaptor
EEMS324PSA	Adaptor, Pressure Transducer
EPPV302AH	Pressure Transducer with Cable, 0-5,000 PSI
EPPV302AL	Pressure Transducer with Cable, 0-100 PSI
EPPV302AT	Pressure Transducer with Cable, 0-500 PSI
EETA308D	Precision Low Amp Probe
EETA309A05A	Secondary Coil Adaptor Lead
EETA309A15	Secondary Ignition, SIA2000 Adaptor
EETM303A05A	Inductive RPM Pickup
EETM306A02	Secondary Ignition Clip-On Wire Adaptor
EETM306A05	CIC-2 Ignition Pickup
EETM306A08	Adaptor, Ignition Coil, Acura®/Honda®/Isuzu® (COP-4)
EETM306A09	Adaptor, Ignition Coil, Volvo®/BMW® (COP-5)
EETM306A10	Adaptor, Ignition Coil, Mercedes-Benz® (COP-6)
EETM306A11	Adaptor, Ignition Coil, Mercedes-Benz® Dual (COP-7)
EETM306A12	Adaptor, Ignition Coil, BMW® (COP-8)
EETM306A13	Adaptor, Ignition Coil, Lexus® (COP-9)
EETM306A14	Adaptor, Ignition Coil, Chrysler®/Jeep®/Lexus®/Toyota® (COP-11)



- Read and follow safety messages in the instructions.
- Do not use in environment with explosive vapor.
- Read Safety Precautions on pages W1-W4

SCOPE AND METER ACCESSORIES



WE SEE INSIDE YOUR ENGINE.
Trust us to diagnose your vehicle with our advanced video imaging equipment.

Snap-on

Service Banners

- Shows your customers that the shop is well equipped with the latest diagnostic and information technology to do the job right the first time
 - Big, bright, full-color 8' L x 2' H shop banner
 - Durable, heavy 15 oz ultra-flex vinyl with reinforced grommets for easy hanging
- EAZ0042B17A ShopKey® Shop Banner, 8 x 2'**
- Service banners show your capability and pride
- EAZ0110L30A Shop Banner, 8 x 2', SOLUS Legend®**

SS3296

- EAZ0118L11A ZEUS™ Shop Banner, 8 x 2'**
EAZ0120L03A Shop Banner, 8 x 2', TRITON-D10™
EAZ0120L16A Shop Banner, 8 x 2', APOLLO-D9™
EAZ0157L20A Shop Banner, 8 x 2', ZEUS™
EAZ0157L21A Shop Banner, 8 x 2',
Diagnostics Marketing
SS153502 Smart Smoke® Machine Shop Banner
SS3296 Shop Banner, Borescope



EAK0312L19A



EAK0313L05A



EAK0333L20A



EAX0024B30A



EAX0066L07A



EETM306A09

MODIS Edge™, TRITON-D8® Accessories

Stock No.	Description
2-06250A	Battery Pack
EAA0355L93A	Data Cable Converter, Adaptor J1962 to DB15M
EAC0056L00A	Pickup, 1-Flag, Generic COP/CIC Adaptor
EAC0056L02A	Pickup, 3-Flag, Generic COP/CIC Adaptor
EAC0056L03A	Pickup, Stick, Generic COP/CIC Adaptor
EAC0118L46A	Hard Shell Carry Case
EAC0111L76A3	Display Protectors
EAK0301B06B	European Vehicle Personality Key Kit
EAK0301B07D	European Vehicle Keys and Adaptors Kit
EAK0301B10B	Scan Adaptor Set, OBD-I, Pre-1996
EAK0312L19A	Carry Case, Padded
EAK0313L05A	Compact Tote Case
EAK0333L20A	Carry Case, Padded
EAX0024B10A	Pressure Transducer Cable
EAX0024B30A	Pressure Transducer Extension Cable, 6'
EAX0066L07A	Power Sports, Battery Clip, Charger Connector, 12 V
EAX0066L81A	USB Interface Cable
EEMS324PSA	Adaptor, Pressure Transducer
EEPV302AH	Pressure Transducer with Cable, 0-5,000 PSI

Stock No.	Description
EEPV302AL	Pressure Transducer with Cable, 0-100 PSI
EEPV302AT	Pressure Transducer with Cable, 0-500 PSI
EETA309A05A	Secondary Coil Adaptor Lead
EETA308D	Precision Low Amp Probe
EETM306A02	Secondary Ignition Clip-On Wire Adaptor
EETM306A05	CIC-2 Ignition Pickup
EETM306A08	Adaptor, Ignition Coil, Acura®/Honda®/Isuzu® (COP-4)
EETM306A09	Adaptor, Ignition Coil, Volvo®/BMW® (COP-5)
EETM306A10	Adaptor, Ignition Coil, Mercedes-Benz® (COP-6)
EETM306A11	Adaptor, Ignition Coil, Mercedes-Benz® Dual (COP-7)
EETM306A12	Adaptor, Ignition Coil, BMW® (COP-8)
EETM306A13	Adaptor, Ignition Coil, Lexus® (COP-9)
EETM306A14	Adaptor, Ignition Coil, Chrysler®/Jeep®/Lexus®/Toyota® (COP-11)
MODISEFOAM3	Foam Drawer Inserts, MODIS Edge™, KRSC30/31/32/33 Series Roll carts
MODISEFOAM4	Foam Drawer Inserts, MODIS Edge™, KRSC40/46 Series Roll carts

Coil-On-Plug (COP) Ignition Coil Adaptors

EETM306A08 Adaptor, Ignition Coil, Acura®/Honda®/Isuzu® (COP-4)

- Fits 1996-1999 Acura® SLX and Honda® Passport® and 1997-1999 Isuzu® Amigo, Rodeo® and Trooper; can also be used on the front cylinder bank of 1994-1999 Nissan® Maxima® with a 3.0 L engine

EETM306A09 Adaptor, Ignition Coil, Volvo®/BMW® (COP-5)

- Fits 1992-1997 Volvo® 960; 1998 Volvo® S90 and V90; and 1999-2000 Volvo® S70, V70, S80 and V80; also fits BMW® models with 11-860 Series Breml coils, 0040100002 Series Beru coils and 0221504004 Series Bosch® coils

EETM306A10 Adaptor, Ignition Coil, Mercedes-Benz® (COP-6)

- Fits 1996-1999 S600®, SL600, and CL600 models with an M120 engine; and 1996-1997 E420, S420, S500® and SL500® with an M119 engine

EETM306A11 Adaptor, Ignition Coil, Mercedes-Benz® Dual (COP-7)

- Fits 1998-2000 Mercedes-Benz® models with the M112 and M113 engines

EETM306A12 Adaptor, Ignition Coil, BMW® (COP-8)

- Fits all BMW® vehicles with Breml 11-852 and 11-856 series coils, and all BMW® vehicles with Zundspule coils

EETM306A13 Adaptor, Ignition Coil, Lexus® (COP-9)

- Fits 1998-2001 GS400/LS400 models with a 1UZ-FE engine, 1998-2001 LX470 models with a 2UZ-FE engine and all other models equipped with Lexus® coil part number 90919-02228

EETM306A14 Adaptor, Ignition Coil, Chrysler®/Jeep®/Lexus®/Toyota® (COP-11)

- For use on Chrysler®, Jeep®, Lexus® and Toyota® vehicles



EETM306A08

Scan Tool Accessories

EETM303A05A Inductive RPM Pickup

- Connects to the DB9F connector (AUX)
- Use to trigger a waveform or view RPM

EETM306A02 Secondary Ignition Clip-On Wire Adaptor

- Connects the optional Secondary Coil Adaptor Lead to the vehicle's secondary wire
- Use to view an ignition pattern

EETA309A05A Secondary Coil Adaptor Lead

- Connects to the optional secondary adaptors to display secondary waveforms



EETM303A05A

EETM306A02



EETA309A05A

Coil-In-Cap (CIC) Ignition Coil Adaptors

EETM306A05 CIC-2 Ignition Pickup

- The kV Module CIC-2 adaptor is designed to work with most Toyota® and some Honda® Coil-In-Cap systems



EETM306A05



EAX0024B40A



EEMS324PSA



EEPV302AT



EAX0024B30A

Pressure Transducers Kits

EAX0024B40A Transducer Y Adaptor Cable

- Permits simultaneous connection of two transducers for multiple tests

EEMS324PSA Adaptor, Pressure Transducer

- Adapts standard meter jacks to EEPV302AL, EEPV302AT and EEPV302AH pressure transducers (not included)
- Provides connection of a transducer plug to standard meter jacks and provides power to the pressure transducers
- Use up to two transducers simultaneously
- View results on VANTAGE® and Triton-D₈® test meters

EEPV302AH Pressure Transducer with Cable, 0-5,000 PSI

- Typical applications include ABS, PS, transmissions, hydraulics and fuel systems
- ZEUS™, VERUS® Edge and VERUS® PRO require EEMS301A05
- TRITON-D₈®, MODIS™ Ultra/MODIS™ Edge/VANTAGE® Ultra require EEMS324PSA

EEPV302AL Pressure Transducer with Cable, 0-100 PSI

- Typical applications include ABS, PS, transmissions, hydraulics and fuel systems
- ZEUS™, VERUS® Edge, and VERUS® PRO require EEMS301A05
- MODIS Edge™/MODIS Ultra™/TRITON-D₈®/TRITON-D₁₀™/VANTAGE® Ultra/VANTAGE® Legend/VERDICT® require EEMS324PSA

EEPV302AT Pressure Transducer with Cable, 0-500 PSI

- 0-500 PSI
- Typical applications include ABS, PS, transmissions, hydraulics and fuel systems
- ZEUS™, VERUS® Edge, and VERUS® PRO require EEMS301A05
- TRITON-D₈®, MODIS™ Ultra, MODIS™ Edge and VANTAGE® Ultra require EEMS324PSAA

EAX0024B30A Pressure Transducer Extension Cable, 6'

- Allows operation of the meter from the driver's seat during road testing
- 6' length



- Read and follow safety messages in the instructions.
- Do not use in environment with explosive vapor.
- Read Safety Precautions on pages W1-W4



EESX306A

WaveForm Demonstration Tool

EESX306A Generator, Diagnostic Waveform

- Versatile scope training/demo tool
- Use with any scope
- Simulates good waveforms, bad waveforms and glitches
- Square wave, variable duty, FI pattern, AC signal and secondary ignition pattern
- Adjustable frequency, voltage, RPM and amplitude



EETA308D



EEMS301A05

Probes and Adaptors

EETA308D Precision Low Amp Probe

- Hall effect technology gives accurate, non-intrusive circuit testing
- Performs precision testing of parasitic draw, injectors, pumps, relays and more
- Spring clamp operation can test wires up to 1/2" dia.
- Scale ranges: 20 and 60 A
- Resolution: ± 1 mA
- Internally powered by a 9 V battery

EEMS301A05 Split Lead Adaptor

- Adapts standard meter jacks to EEPV302AL, EEPV302AT and EEPV302AH pressure transducers (not included)
- Provides connection of a transducer plug to standard meter jacks and provides power to the pressure transducers
- Use up to two transducers simultaneously
- View results on ZEUS™ and VERUS® test meters
- Connection for RPM lead
- Connection for RPM lead

6-03622A01 Split Lead Adaptor for ZEUS+™



EAC0056L00A

EAC0056L02A

EAC0056L03A

Multi-Cylinder Secondary Ignition Scope Adaptors

Exclusive kV ignition adaptors make for easy connection and testing of secondary ignition on coil-on-plug (COP) and coil-in-cap (CIC) systems. Custom fit to vehicle ignition systems. Requires EAK0294B09A ignition scope lead kit.

EAC0056L00A Pickup, 1-Flag, Generic COP/CIC Adaptor

- Use with 3-flag pick up for 4-cylinder engines or use two with two 3-flag pickups for V8 engines
- Single-cylinder pickup

EAC0056L01A 2-Flag Pickup

EAC0056L02A Pickup, 3-Flag, Generic COP/CIC Adaptor

- Use two for 6-cylinder engines
- Use with straight 4-cylinder engines
- Three-cylinder pickup
- Use two for V6 engines or use two with single-cylinder pickup for V8 engines

EAC0056L03A Pickup, Stick, Generic COP/CIC Adaptor



EETA309A15

EAK0294B09A

Secondary Ignition Adaptors

EETA309A15 Secondary Ignition, SIA2000 Adaptor

- Distributorless ignition kit for waste spark and direct ignition systems
- Displays and labels cylinder firings in series across one channel for direct ignition and two channels for waste spark systems
- Direct ignition systems also require optional ignition coil adaptors

2-12203A RCA Gender Adaptor

EAK0294B09A Ignition Lead Kit

- For multi-cylinder secondary ignition testing
- Includes an inductive RPM pickup trigger, coil adaptor lead and secondary kV clip-on probe
- Ideal for distributor systems and for COP/CIC systems

Adaptors and Pickups

MTTL430 Back Probe Adaptors (3 pack)

- Bendable stainless steel tips for easy insertion into terminal connectors
- Three ID boot colors for quick circuit identification
- Premium component construction—stainless steel tips, high-temperature composite and boot materials for a long, reliable life
- Textured composite body for a good grip
- Recessed loop ends for a fast and reliable connection using alligator clips, grabbers or hook connections
- Removable boots enable custom color selections or restoring color to tired and dirty used boots with the MTTLBOOTS multi-pack of boots
- Portable storage strip holds all three probes



MTTL430

Test Leads

- Shielded, soft, flexible leads for meter and scope measurement
- Stackable, right angle ground plug is attached

6-03022A Channel 1 Yellow/Black Lead

6-03122A Channel 2 Green/Black Lead

6-03222A Channel 3 Blue Lead

6-03322A Channel 4 Red Lead



6-03022A



6-03122A



6-03222A



6-03322A

Alligator Clips

- Spring loaded clips provide secure, insulated connection for meter and scope measurements

2-06433A1 Black Alligator Clip

2-06433A2 Red Alligator Clip

2-06433A3 Blue Alligator Clip

2-06433A4 Yellow Alligator Clip

2-06433A5 Green Alligator Clip



2-06433A1



2-06433A2



2-06433A3



2-06433A4



2-06433A5

Scanner Adaptors

EAA0355L10A GM®-1 Adaptor

EAA0355L20C Ford®-1A Adaptor

EAA0355L30A Chrysler®-1 Adaptor

EAA0355L31A Chrysler®-2 Adaptor

EAA0355L40A Nissan®-1 Adaptor

EAA0355L42A Multi-2 Import Adaptor

EAA0355L46C Replacement OBD-II Key Adaptor

EAA0355L49A Jeep®-1 Adaptor

EAA0355L50A Toyota®-1 Adaptor

EAA0355L51A Hyundai®-2 Adaptor

EAA0355L52A Toyota®-2 Adaptor

EAA0355L53A Mazda®-1 Adaptor

EAA0355L56A VW®-1 Adaptor

EAA0355L58A Nissan®-2 Adaptor

EAA0355L62A Mercedes-Benz® Adaptor

EAA0355L68A DL-16 Key Adaptor-European Vehicles

EAA0355L70A Ford®-4 Adaptor

EAA0355L74A BMW® Adaptor

EAA0355L75A MB-2A Adaptor

EAA0355L90B Multi-1 Universal Adaptor

EAX0066L41A Ground Leads

EAX0066L43A Adaptor Wire Terminal Kit



EAK0301B08A

Optional Scanner Adaptor Sets

EAK0301B08A OBD-I Domestic/Asian Vehicle Adaptor Kit 2

- OBD-I vehicle adaptor kit for SOLUS Ultra®
- Connectors include the most popular 1980–newer US and 1983–newer Asian vehicles
- Deep coverage, with codes, live data, functional tests and reset/relearn capabilities
- Coverage for major vehicle systems, including engine, body, transmission, airbag, suspension, ABS, instrument, climate control, security, lighting and more
- Kit includes a data cable and the most popular OBD-I adaptors: Multi-1, Ford® 1B, Ford® 4, GM® 1, Toyota® 1, Toyota® 2, Nissan® 1, Nissan® 2, Mazda® 1, Honda® 1, Mitsubishi® 1



- Do not use in environment with explosive vapor.
- Read Safety Precautions on pages W1–W4

SCAN TOOL ACCESSORIES



EAA0355L46C



EAK0301B07D

Scan Tool Accessories

EAA0355L46C Replacement OBD-II Key Adaptor

- For US and Asian vehicle applications
- Accepts K personality keys
- Fits VERUS®, MODIS™ and SOLUS PRO™ diagnostic units

EAA0355L68A DL-16 Key Adaptor-European Vehicles

- Replacement adaptor for European vehicle applications
- Accepts S personality keys
- Fits VERUS®, MODIS™, SOLUS PRO™, SOLUS™ and ETHOS® diagnostic units

EAK0288B04B OBD-I Domestic/Asian Vehicle Adaptor Kit 1

- For US and Asian applications
- Includes the following communication adaptors: Chrysler® 1, Chrysler® 2, Jeep® 1, Import Multi-2, Hyundai® 2, ground leads and jumper leads
- Extends the capability of Snap-on® diagnostic platforms to cover early model vehicles as far back as 1980 (varies by make)

EAK0301B07D European Vehicle Keys and Adaptors Kit

- For use with Snap-on® scan tools except ZEUS™

EAK0301B10B Scan Adaptor Set, OBD-I, Pre-1996

- OBD-I scan adaptor master kit for pre-1996 US and Asian vehicles
- Complete adaptor set of all available Snap-on® OBD-I adaptors for 1980–newer US and 1983–newer Asian vehicles
- Takes advantage of the OBD-I scanner coverage built into the diagnostic tool
- Kit includes a data cable convertor, jumper lead set, ground lead, 12 V DC adaptor and (17) OBD-I adaptors for: Multi-1, Multi-2, Kia® 2, Ford® 1B, Ford® 4, GM® 1, Toyota® 1, Toyota® 2, Nissan® 1, Nissan® 2, Mazda® 1, Honda® 1, Mitsubishi® 1, Chrysler® 1, Chrysler® 2, Jeep® 1 and Hyundai® 2
- UL® and cUL listed

EAK0347L01A Smart Vehicle Interface for Harley-Davidson®

- Smart Vehicle Interface connects to Harley-Davidson® motorcycles—provides vehicle connection and activates software coverage
- Comprehensive coverage for all major systems on 2000–newer motorcycles, including engine, ABS, hands-free security, turn signal security, hand control module, body controls, instrument, speedometer, tachometer and more
- Read and clear OEM-specific fault codes, perform One-Touch Code Scan for all available systems and powerful functional tests to verify repairs, and display live data in digital and graphing views
- Includes both 4-pin and 6-pin standard connectors for Harley-Davidson® motorcycles

- Compatible with any Snap-on® diagnostic platform (except SOLUS PRO™) with upgrade 17.2 or newer
- Verify component operation with a wide range of functional tests: throttle position, cruise control, idle speed, bleed brakes, ABS, fuel pump, reset PIN, key reprogram, side car, gauges and more
- Handy support hook helps keep the Smart Interface safe from hot pipes and moving parts
- Includes Smart Vehicle Interface with 4-pin and 6-pin connectors, dust caps, support hook, 12 V DC power connector and a nylon case

EAK0347L20A Smart Vehicle Interface Adaptor Kit, BMW®

EAK0347L21A Smart Vehicle Interface Adaptor Kit, DLC Adaptor

EAK0347L22A Smart Vehicle Interface Adaptor Kit, Harley-Davidson®

EAK0347L23A Smart Vehicle Interface Adaptor Kit, Indian® and Victory®

EAK0347L24A Smart Vehicle Interface Adaptor Kit, Ducati®

EAK0347L25A Smart Vehicle Interface Adaptor Kit, Suzuki®

EAK0347L26A Smart Vehicle Interface Adaptor Kit, Honda®

EAK0347L27A Smart Vehicle Interface Adaptor Kit, Kawasaki®-1

EAK0347L28A Smart Vehicle Interface Adaptor Kit, Kawasaki®-2

EAK0347L29A Smart Vehicle Interface Adaptor Kit, Kawasaki®-3

EAK0347L30A Smart Vehicle Interface Adaptor Kit, Yamaha®

EAK0347L35A Smart Vehicle Interface Adaptor Kit, ISO-1, All Makes

EAX0066L04B Power Cable, Battery Clip, 12 V

- Provides 12 V power from battery terminals for diagnostic scan tool platform

EAX0066L10B Power Cable, Power Outlet Plug, 12 V

- 12 V lighter power cable for diagnostic scan tool platform

EAX0066L50A Replacement Data Cable

- Use for connection between a scan tool and vehicle adaptors

EETM306A02 Secondary Ignition Clip-On Wire Adaptor

- Connects the optional Secondary Coil Adaptor Lead to the vehicle's secondary wire
- Use to view an ignition pattern

Domestic/Asian Personality Keys

Upgrade	Key No.	Most Common Make Supported	Stock No.
17.2	K-78	Harley-Davidson®	EAP0283L70A
16.2	K-33	Ram Promaster®/Hyundai®/Kia®	EAP0283L60A
15.4	K-32	Mitsubishi® Electric	EAP0283L45A
12.4	K-29	GM® Extended CAN	EAP0283L20A
11.2	K-28	Nissan® Altima® Hybrid	EAP0283L10A
9.2	K-7A	Chrysler®/Mitsubishi®	EAP0268L65A
	K-27	Chrysler®/Mitsubishi®	EAP0268L75A
7.2	K-20	Global OBD-II CAN	EAP0234E45A
	K-25	Chrysler®	EAP0268L15A
6.4	K-24	Honda®	EAP0268L05A
6.2	K-21	GM®	EAP0234E80A
	K-22	Chrysler®	EAP0234E90A
5.2	K-19	CAN Protocol Vehicles	EAP0234E35A
4.4	K-17	Ford®/GM®/Toyota®/Nissan®/Mazda®/Hyundai®/Kia®/Mitsubishi®	EAP0234E25A
4.2	K-16	Ford®	EAP0257B00A
4.1 and earlier	K-5A	Hyundai®	MT50780507
	K-7	Mitsubishi®	MT50780701
	K-9	GM®	MT50780901
	K-12A	GM®	MT50781202
	K-15	Mitsubishi®	MT50781501
—	K-13A	Chrysler®	EAP0257B10A
—	K-8	Chrysler®	MT50780801
—	S-39	BMW®	EAP0234E15A
—	K-18	Honda® SRS®	EAP0234E30A

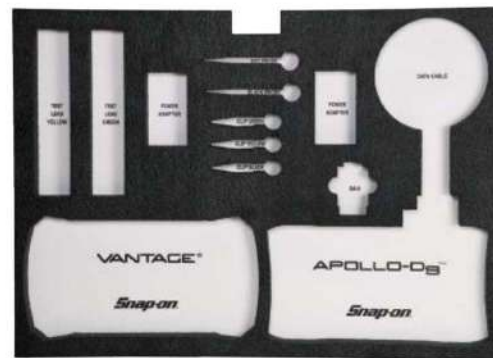
European Personality Keys

Upgrade	Key No.	Most Common Make Supported	Stock No.
15.2	S-53	Fiat® Dual Wire CAN	EAP0268L50A
14.2	S-26	Porsche®	EAP0283L40A
11.2	S-69	Volvo® Dual CAN	EAP0283L05A
10.4	S-45	Land Rover®	EAP0234E55A
	S-62	Land Rover®	EAP0268L55A
	S-25	Land Rover®	MT2500S25
4.1 and earlier	S-28	BMW®/Land Rover®	MT2500S28
	S-4	Mercedes-Benz®/Volkswagen®	MT2500S4

STORAGE
Custom-Fit Foam Organizers

- Turn a tool cart into a high-power mobile workcenter
- Set of drawer organizers holds a diagnostic platform and all standard accessories, plus room for many optional accessories
- Drawer organizers fit 3-Series and 4-Series KRSC roll carts

Stock No.	Fits Diagnostic Tools	Fits Roll Carts
APOVANFOAM3	APOLLO-D8™/VANTAGE® Series Set	KRSC 3-Series
APOVANFOAM4	APOLLO-D8™/VANTAGE® Series Set	KRSC 4-Series
APOD9FOAM3	APOLLO-D9™/VANTAGE® Series Set	KRSC 3-Series
APOD9FOAM4	APOLLO-D9™/VANTAGE® Series Set	KRSC 4-Series
MODISEFOAM3	MODIS Edge™ Set	KRSC 3-Series
MODISEFOAM4	MODIS Edge™ Set	KRSC 4-Series
SOLVANEFOAM3	SOLUS Edge™/VANTAGE® Series	KRSC 3-Series
SOLVANEFOAM4	SOLUS Edge™/VANTAGE® Series	KRSC 4-Series
TRITONFOAM3	TRITON-D8® Set	KRSC 3-Series
TRITONFOAM4	TRITON-D8® Set	KRSC 4-Series
TRND10FOAM2	TRITON-D10™	KRSC246
TRND10FOAM3	TRITON-D10™	KRSC 3-Series
TRND10FOAM4	TRITON-D10™	KRSC 4-Series
ZEUSFOAM3	ZEUS™ Set	KRSC 3-Series
ZEUSFOAM4	ZEUS™ Set	KRSC 4-Series


APOD9FOAM3


- Read and follow safety messages in the instructions.
- Do not use in environment with explosive vapor.
- Read Safety Precautions on pages W1-W4



EAK0312L19A



EAK0313L05A



EAK0340L36A

Storage Cases

- Provides protection and portability in the shop or on the road
- Reinforced semi-rigid case with padded sides for protection
- Tough polyester fabric with hook-and-loop straps inside to secure tools and accessories
- Bold embroidered Snap-on® logo promotes Snap-on® quality tools
- Elastic net compartment for small accessories
- Zippered on three sides so the case opens flat for easy access
- Sturdy sewn-in handle with a molded comfort grip

EAK0312L19A Padded Carry Case

- Three padded compartments for Snap-on® diagnostic tools and two elastic net compartments for accessories
- Generous 14 x 19 x 4" size holds a diagnostic tool and many accessories
- Accommodates VERUS® PRO, VERDICT®, MODIS™ Series, SOLUS™ Series, ETHOS® Series and VANTAGE® Series tools

EAK0313L05A Compact Tote Case

- Compact 14 x 11 x 3" size holds a diagnostic tool and some accessories
- Accommodates MODIS™ Series, SOLUS™ Series, VANTAGE® Series, ETHOS® Series

EAK0340L36A Soft Bag, Thermal Imagers

- Carrying Bag for diagnostic thermal tools
- Inner pocket holds USB charger and cable



KACSC345RD



KACSC345SV

Diagnostic Workcenter Covers

- Custom-fit nylon cover for Diagnostic Centers
- Keeps diagnostic center clean and well protected
- Provides protection from dirt, grease, solvents and other shop environmental hazards
- Covers the complete workstation and standard 27" monitor

- Big bold Snap-on® "S" logo in your choice of red or silver
- Reinforced piping in red accent color for high-end appearance and extra strength at seams
- High-quality 200 Denier® nylon for sturdy protection
- Heavy-duty nylon zippers at front for easy installation and removal

KACSC345RD Nylon Cover for EEHD345 Heavy-Duty, EEWS342 and EEWS348 Series

- Custom-fit nylon cover for EEHD345 Heavy-Duty/EEWS342/EEWS330 Diagnostic Workcenters
- Black with Red Logo

KACSC345SV Nylon Cover for EEHD345 Heavy-Duty, EEWS342 and EEWS348 Series

- Custom-fit nylon cover for EEHD345 Heavy-Duty/EEWS342/EEWS330 Diagnostic Workcenters
- Black with Silver Logo

EEWSMWCCOVER Diagnostic Mobile Workcenter Cover

- Custom fit nylon cover for your EEWS342/EEWS348 Diagnostic Mobile Workcenter
- Black with red piping and logo



Diagnostic Software Upgrades for ZEUS™ Series, VERUS® Series, VANTAGE® Series, SOLUS® Series, P1000™ and Ethos® Series Tools

- Continue to improve your productivity with regularly scheduled software upgrades from Snap-on® featuring updated coverage for new vehicles, expanded coverage for earlier models and the latest enhancements that add capabilities to your tool
- You will access thousands of new vehicle systems, trouble codes and live data parameters, as well as thousands of new experience-based troubleshooter tips, functional tests, adaptations and component tests for platforms with those functions
- For details on the latest software upgrade, see your *Snap-on®* representative


EETA113D

EETA314A

J2534 Compliant Programming Interface

EETA113D Pass Thru Pro IV Reprogramming Device

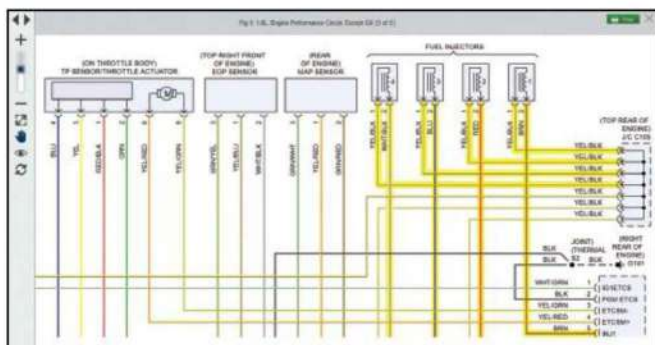
- Certified SAE® J2534 pass-through device updates software/firmware in vehicle electronic control unit (ECU) with software directly from the OEMs
- Fix software-controlled drivability, emission issues and program new ECUs
- Program emission-related ECUs on any J2534-compliant vehicle (2004–newer) and other J2534 compliant controllers (at OEM dependent)
- Includes protocols for fault tolerant CAN, new CAN lines and access to additional late-model vehicle networks
- Includes programming interface, 6' USB PC-interface cable, 6' vehicle interface cable and instruction manual
- Additional requirements include a reflashing software application, data subscription from OEM and a PC with internet access
- Easier than ever—go to www.snapon.com/diagnostics/us/Pass-Thru-Pro-IV for Pass Thru Pro IV firmware/driver updates
- The Pass Thru Pro IV vehicle interface connects to a PC (not included) through the USB connector and to the vehicle through the OBD-II connector; ECU reflashing software and update files are downloaded from the OEM website through the pass-through device into vehicle control unit
- NOTE: A stable vehicle power supply is critical to protect the vehicle ECU during programming—the Snap-on® EECS306C D-TAC™ Elite and the Snap-on® EEBC500A Battery Charger Plus™ are well suited to this purpose

EETA314A Snap-on® Pass Thru Assistant

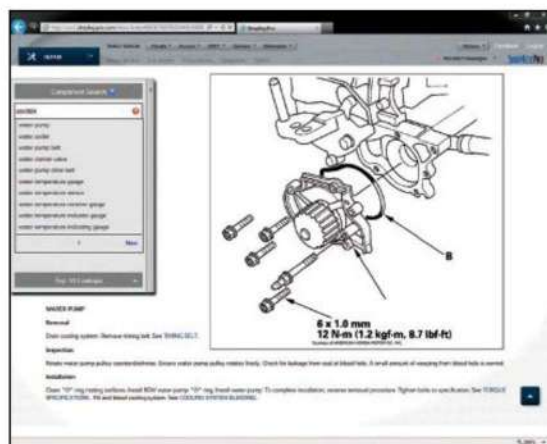
- Pass through device and battery maintainer in one package
- Guaranteed Results: we take the risk, not you
- Designed to bring a reprogramming solution to every automotive repair and collision technician
- The Pass Thru Assistant expands your capabilities to include reprogramming for domestic, Asian and European vehicles
- No need to send the vehicle to dealer
- Not dependent on mobile technicians
- Allows shop to be the preferred dealer alternative
- Enables shop to be the complete solution provider
- Easy to follow step-by-step instructions: plug the unit in; turn on the unit; call the Pass Thru Assistant phone number to schedule a session; follow the connection instructions; remote agent performs the flash programming
- Includes Integral Pass Thru device; Windows 10 tablet; battery maintainer; OEM software installed and OEM software updates included
- Additional information can be found at snapon.com/passthruassistant



- Read and follow safety messages in the instructions.
- Do not use in environment with explosive vapor.
- Read Safety Precautions on pages W1–W4



Full-color wiring diagrams with circuit highlights and zoom feature clarify even the most complex circuits.



With a single lookup you get access to illustrated repair procedures, diagnostic information, expert tips, maintenance schedules, TSBs, wiring diagrams and component locators.

ShopKey® Pro and Mitchell™ TruckSeries provide technicians with complete repair information for class 1–8 vehicles including real-world information to diagnose and repair vehicles problems efficiently.

1Search® Plus

To improve your information lookup, 1Search® Plus returns information in a unique graphical layout aligned with the way a technician thinks about diagnosis and repair. OEM and real-world information are fully integrated, reducing your navigation time. All results are returned in specific categories, leading you directly to the information you want and cutting out the clutter.

Enhanced Wiring Diagrams

Our enhanced wiring diagrams feature intelligent navigation that takes you directly to the specific diagram for the component you searched for, with traces automatically highlighted. It's faster and easier than ever to find the exact wiring diagram you need for an efficient and accurate diagnosis.

ADAS—Driver Assist

Diagnose, calibrate and repair vehicles equipped with Advanced Driver Assistance Systems (ADAS) features. Simply select a vehicle and click the Driver Assist (ADAS) Quick Link button, and you have immediate access to a table that consolidates all the ADAS information for the vehicle in a single location. You get the full picture of the ADAS features and components and can simply click to select the repair and calibration information you want.

Latest TSBs

Never miss a TSB! Access the most accurate and up-to-date database of TSBs available, most delivered within one month of publication by OEM.

Quick Links

Quickly navigate to the most popular content, including fluids, tire fitment, reset procedures, wiring diagrams, component tests and locations, DTCs and TSBs.

SureTrack Real Fixes

Find the fix with expert-based knowledge captured from over 600 million completed repairs and real world tips from professional technicians.

Component Test Information

Component operation, location, best test location, connector end views and test procedures provide all the information needed to verify the component is operating properly or failing.

Community of Technicians

You are likely not the first person to come across that difficult-to-diagnose code or symptom. Use the community as a collaborative tool to ask a question to automotive experts and receive answers (often in a few minutes) to help you move forward.

Estimating Integrated with Manager™ SE

Build accurate, profitable estimates quickly and easily with the only OEM repair information system integrated with the industry's most trusted shop management system.

Integration with Snap-on® Diagnostic Tools

Access ShopKey® Pro on your Snap-on® ZEUS™ or VERUS® series tool and have the information you need to get the job done, right at your fingertips.



OBD-II Scan Tools

Type	Description	EECR1B	EECR3B	EECR5A
Tool Features	Display	•	2.8" LCD	3.5" LCD
	Multilingual	•	•	•
	Internal Batteries		•	•
	Detachable Cable		•	•
	Illuminated LED's on OBD2 DLC cable head		•	•
OBD2 Functions	\$01 - Limited Live Data		•	•
	\$01 - Graph Live Data		• 2 Values	• 2 values
	Record and Playback (LD)		•	•
	\$02 - Freeze Frame		•	•
	\$03 - Read DTC	•	•	•
	I/M Monitors Status	•	•	•
	OBD2 Hybrid	•	•	•
	Definitions on Screen		•	•
	\$04 - Erase	•	•	•
	\$05 - O2S Results		•	•
	\$06 - Non-continuous Test Results		•	•
	\$07 - Pending DTCs	•	•	•
	\$08 - EVAP		•	•
	\$09 - ECU Info (on Background)		•	•
	\$09 - Display on Screen	•	•	•
\$0A - Permanent DTC	•	•	•	
ABS Coverage	ABS - Domestic Coverage		•	•
	ABS - Asian Coverage		•	•
	ABS - European Coverage		•	•
	ABS - Limited Live Data			•
SRS Coverage	SRS - Domestic Coverage		•	•
	SRS - Asian Coverage		•	•
	SRS - European Coverage		•	•
	SRS - Limited Live Data			•
Common Features	All-in-One Display	•	•	•
	System Status LED	•	•	•
	Prioritized DTCs	•	•	•
	Readiness Monitors Definitions	•	•	•
	LED Meaning		•	•
	DLC locator		•	•
	On Screen Code Definitions Lookup Library		•	•
Enhanced Engine and Transmission Codes		•	•	
Unique Tool Features	Trip Cycle Procedure		•	•
	Mode 6 in Layman's terminology		•	•
	Oil Light Reset		•	•
	Battery Reset		•	•
	Battery Initialization Function		•	•
	Code Severity Alert	•	•	•
	Battery/Charging System Test		•	•
	Oil Level/Oil Life		•	•
	Reads Hybrid Battery Cell Voltage			•
	Brake Pad Life			•
	Reads TPMS/Tire Pressure			•
	Reads Transmission Temp			•
Network Scan (scan DTCs for all modules)			•	
Software, Website, Support and Service Features	Warranty - Years Covered	2	2	2
	Internet Updateable and Upgradeable	•	•	•
	USB Cable Included	•	•	•
	Free Lifetime Internet Updates (Bug Fixes)	•	•	•

EECR1B CarScan® Code Reader (Blue-Point®)

- Diagnose and turn off check engine light—works on all 1996 and newer OBD-II vehicles
- Now includes a Code Severity Alert for better DTC understanding and a black housing to keep a cleaner appearance
- Plug-and-play diagnostics—simply plug in, tool automatically links to vehicle, then diagnostics start in seconds

- I/M readiness advisor—perform OBD-II drive and trip cycle tests to validate for accurate repairs with on-screen I/M status indicators
- Backlit screen aids in viewing information
- Small size fits in pocket for quick retrieval

EECR3B+ CarScan® Code Reader +ABS/SRS (Blue-Point®)

- Diagnose and turn off check engine light—functions on all 1996 and newer OBD-II vehicles
- Now includes oil level and life information with a black housing for a cleaner look
- Includes ABS/SRS, limited live data and trip cycle procedure

- Vehicle health status LEDs know in advance if the vehicle is emission test ready (Red = Fail, Green = Pass)

- Plug-and-play diagnostics—simply plug in and the tool automatically links to the vehicle; diagnostics start in seconds

- Service and diagnose engine and ABS system—read and clear anti-lock brake DTCs on 1996 and newer US, Toyota® and Honda®

- View freeze-frame data—review a snapshot of the conditions present when the failure occurred to duplicate for advanced diagnostics
- Built-in memory for off-car review

- Internet updatable via USB

- Backlit color screen

- DTC definitions displayed in English, Spanish and French

EECR5A+ CarScan® Code Reader+ ABS/SRS/Module Scan (Blue-Point®)

- Now includes code severity alert, battery system test, oil life, hybrid battery cell voltage, brake pad life, reads tire pressure and transmission temperature
- Network/module scan reads and clears vehicle ECU modules

- Vehicle health status LEDs—know in advance if the vehicle is emissions test ready (Red = Fail; Green = Pass)
- Service, diagnose engine and ABS/SRS systems
- Read and clear anti-lock brake (ABS) DTCs on newer vehicles

- Read and clear supplemental restraint system (SRS) DTCs on newer vehicles
- OBD-II Live Data (ABS/SRS) review systems to aid in diagnosis
- DTC definitions displayed in English, Spanish and French

- Internet updatable via USB for bug fixes
- SRS limited live data and trip cycle procedure
- OBD-II connection point is lighted for simplified under dash installation

- Backlit color screen for improved viewing

- Technical Support 877-447-6276

• Read and follow safety messages in the instructions.

• Do not use in environment with explosive vapor.

†These products can expose you to chemicals which are known to the state of California to cause cancer and reproductive harm. See pages P1-P2 for details.

• Read Safety Precautions on pages W1-W4





EEHD189090



EEHD709004

PRO-LINK® Edge

- PRO-LINK® Edge provides the technician with the speed and efficiency required to stay competitive while repairing today's complex commercial vehicles
- Provides thousands of OEM tests, maintenance routines, and programmable parameters for major systems on commercial vehicles, including engines, transmissions, brakes, body and chassis, and instrument clusters
- Eliminates the need to cross-reference generic codes to OEM codes
- Displays proprietary faults and data even after free trials have expired
- New protocols to support Ram® ProMaster vehicles

EEHD709004 PRO-LINK® Edge Master Kit

- Perfect for truck shops, general repair, fleet maintenance, mobile service and municipalities; provides OEM-proprietary diagnostics for commercial heavy-duty trucks
- Tested and licensed OEM coverage for all major systems, including engines, transmissions, ABS, instrument cluster, emissions, SCR, body systems and more
- Essential maintenance functions include read and clear fault codes, access trip data to monitor vehicle and driver performance, create health reports and view live data to verify performance
- Powerful repair functions include graph live data to find tough problems, special tests to verify component failures and validate system operation, program replacement components, expanded component diagnostics and custom ECU programming configuration
- OEM-proprietary diagnostics for commercial vehicles from light diesels to Class 8 heavy-duty trucks
- Covers systems and components for the major HD manufacturers: Volvo®, Mack®, PACCAR®, Kenworth®, Peterbilt®, Freightliner®, International®, and more—plus light- and medium-duty truck coverage
- Easy-to-use, common user interface for all makes
- Big 10.1" color touchscreen display for clarity and fast navigation; automatically adjusts brightness for indoor and outdoor use

Connectivity tools make it easy to save, view and share vehicle results:

- Mini HDMI port to view results on external monitor
- SD memory card slot to store/share test results
- Wi-Fi® for networking
- USB port for accessories like a memory stick, keyboard or printer
- Rugged solid-state drive to store data and software upgrades
- Choice of power sources: internal lithium-ion battery, 120 V AC adaptor or vehicle connector

- and GM® body control modules
- Provides software suites bundled by manufacturer to give the technician flexibility and to reduce the overall cost of the number of software titles required to make repairs (reduces the number of titles from 20 to 10)
- Ability to scroll/swipe through information and data lists just the same way as on mobile devices
- More categories and data parameters per page
- Improved screen layout; modernized, intuitive icons and a higher screen resolution
- Ability to review and download maintenance information, wiring diagrams, specifications, and digital photos from optional Mitchell 1® Repair-Connect®

- Get direct links from fault codes to step-by-step test and diagnostic procedures, component locators and wiring diagrams with the optional Repair-Connect®
- Internet delivery of software upgrades directly to the tool and a free trial period to try before purchase—see your Snap-on® representative to activate
- Software upgradable to accommodate new technology, ECUs and EPA requirements
- Over 1,000 special tests to override vehicle controls and operating conditions for diagnostic validation—e.g., DPF clean/replace, cylinder contribution, injector tests, timing and boost calibration
- Over 500 programmable parameters to configure a fleet to operating limits you define—e.g., idle shutdown, speed limit, driver reward, engine rating, engine protection shutdown and injector replacement

EEHD189090 PRO-LINK® Edge Starter Kit

Pro-Link® Edge Starter Kit includes:

- Pro-Link® Edge heavy-duty diagnostic system
- Edge HDS Starter Kit Software (J1708/J1587, J1939 and OBD-II/EODB)
- 8' data cable
- 16-pin J1962 OBD-II adaptor
- 9-pin Deutsch adaptor (non-locking)
- 6-pin Deutsch adaptor
- Soft carrying case with cushioned foam organizer
- High-energy lithium-ion battery pack
- 120 V AC power adaptor

Key Functions and Features:

- Large, sharp color graphics
- Information clearly displayed
- Fast data downloads
- Portable and powerful

EEHD189090K PRO-LINK® Edge

PRO-LINK® Diagnostic Platforms

EEHD345MAPBO PRO-LINK® Edge Master Kit with Five-Drawer Cart

- Five-Drawer, split-top lid, 27" industrial touchscreen monitor, PRO-LINK® Edge Diagnostic Tool, full software suite, 6-pin Deutsch® cable, data cable, 9-pin Deutsch® cable, 16-pin J1962 cable, PLC adaptor, battery pack, AC adaptor and foam inserts
- Four custom-fit foam drawer organizers with part number and description labeling provide control for scan tool and accessories (EEHDEKFOAM3A and EEHDEKFOAM4B are for optional accessories)
- Cart split-top slides out from center to provide total access to a generous top compartment; designed with a printer in mind to allow for the documentation of critical diagnostic sessions
- Full-length, 2-point locking lid and separate manual rear lock rod for drawers; more secure than single-point lock used by many other manufacturers— independent drawer locking switch inside the top compartment
- Cart body is entirely welded double wall design, not bolted, for lasting strength
- Two shot-molded rubber/nylon corner bumpers help protect nearby objects and provide long-lasting brand identification and professional appearance
- 32" cart is maneuverable and equipped with quiet, low-vibration rolling casters
- Drawers have rolled edges and a rear flange providing a solid feel under load
- PRO-LINK® Edge Diagnostic Tool features a 10" full-color class LED sunlight-readable display
- Includes all available software suites, tested and licensed OEM coverage for all major systems, including engines, transmissions, ABS, instrument cluster, emissions, SCR, body controls and more



EEHD345MAPWZ

Colors Available

Red	Gloss Black	Royal Blue	Midnight Blue	Ultra Yellow	Candy Apple Red
† PBO	PC	PCM	PDG	PES	PJH
Extreme Green	Electric Orange	Arctic Silver	Flat Black/W Black Trim	White	Storm Gray
† PJJ	PJK	PKS	POT	PU	PWZ

ADD SUFFIX TO STOCK NUMBER FOR SPECIAL COLORS.

EEHD345SAPC† PRO-LINK® Edge Starter Kit with 32" Five-Drawer Cart and Touchscreen Monitor

	Stock No.	Description
Software Suites	EEHD862018	PRO-LINK® Ultra Software, DDEC® Suite v3.0
	EEHD865005	Allison Transmission® Suite
	EEHD865005U	Allison Transmission® Update
	EEHD865009	Navistar® MaxxFORCE® v3.0
	EEHD865009U	Navistar® MaxxFORCE® v3.0 Update
	EEHD865014	Meritor® WABCO® Suite v2.0: Air, Hydraulic ABS and OnGuard® CMS
	EEHD864007	Heavy-Duty Standard J1939
	EEHD864010	International® Engines v2.0
	EEHD864015	DDEC® Suite: DDEC® II, III, IV, V v2.0
	EEHD864021	Trailer ABS Suite: Eaton®, Wabash® and Haldex®
	EEHD864024	CAT® Engines with ACERT® Technology v2.0 Update
	EEHD864027	Caterpillar® Electronic Engines
	EEHD864031	Detroit Diesel® MBE
	EEHD864041	Navistar® Body and Chassis
	EEHD864076	OBD-II/EOBD v5.0
	EEHD867011	Volvo®/Mack® V3 2007–Present
	EEHD867011U	Volvo®/Mack® 2007+ Update
	EEHD867034	PACCAR® Engines EPA10

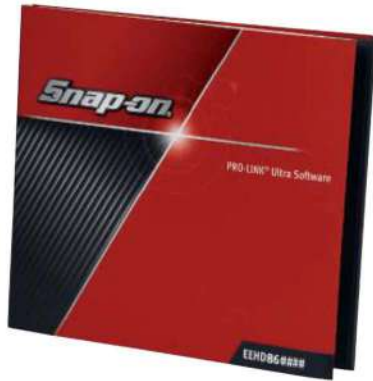
	Stock No.	Description
Vehicle Adaptors	EEHD494024	PRO-LINK® Ultra 6-Pin Deutsch® Adaptor
	EEHD493026	26-Pin Data Cable
	EEHD493028	PRO-LINK® Ultra 9-Pin Deutsch® Adaptor
	EEHD493013	J1962 16-Pin Cable
	EEHD406004	HD Crossover Cable (PACCAR® MX)
	EEHD604020	PLC Adaptor
Accessories	EEHD861048†	PRO-LINK® Ultra Software, Light and Medium Truck (LMT) 2021
	EEHD218015-1	Carry Case – Top
	EEHD218015-2	Carry Case – Bottom
	EEHD4001-022	Battery (Ultra only)

*NOTE: Color options require an approximate 20-day lead time for delivery. Expert Customer Care, Technical Support and Repair 800-311-5452. Please order mini-catalog SS3258 for more detailed software applications.



- Read and follow safety messages in the instructions.
- Do not use in environment with explosive vapor.
- Read Safety Precautions on pages W1–W4

PRO-LINK® EDGE HEAVY-DUTY DIAGNOSTICS



PRO-LINK® Edge Software

Stock No.	Description
EEHD841006	PRO-LINK® Edge Software, PSI Engines v 1.0
EEHD841048	PRO-LINK® Edge Software, Light and Medium Truck (LMT) 2021
EEHD842003	Cummins® Software 2002+ – Edge
EEHD842015	Detroit Diesel® Software DDEC® 2-DDEC 13, MBE – Edge
EEHD849005	Allison® Software – Edge
EEHD849010	International® Software Suite 1996+ – Edge
EEHD849011	Volvo®/Mack® Software 2007–2018 – Edge
EEHD849021	Edge ABS Software BENDIX® ABS, TPMS, WABCO® Air, Hydraulic, Trailer ABS: Eaton®, Wabash® and Haldex® Suite
EEHD849024	CAT® Software 1990–2009 – Edge
EEHD849025	HINO® Software 2005–Current – Edge
EEHD849034	PACCAR® Software EPA 2010–2017 – Edge

PRO-LINK® Ultra and Edge Adaptors, Cables and Accessories

	Stock No.	Description
	EEHD493033	2- and 3-Pin Deutsch® Adaptor
	EEHD494024	PRO-LINK® Ultra 6-Pin Deutsch® Adaptor
	EEHD493001	9-Pin Deutsch® Adaptor (Locking)
	EEHD493015	CAT® 9-Pin Adaptor
	EEHD493028	PRO-LINK® Ultra 9-Pin Deutsch® Adaptor
	EEHD493014	HD Caterpillar® 9-Pin T-Adaptor
	EEHD493003	12-Pin Adaptor
	EEHD493013	PRO-LINK® Ultra 16-Pin Adaptor
	EEHD493026	PRO-LINK® Ultra Data Cable
	EEHD499095	PRO-LINK® Edge AC Adaptor 12 V, 2.5 A, 30 W

	Stock No.	Description
	EEHD424001	J560 7-Way Power Cable
	EEHD499098	Mini HDMI® Adaptor
	EEHD709002MR	Medium Range V2 for PRO-LINK® Ultra
	EEHD604020	Universal J560 PLC Adaptor
	EEHD406004	HD Crossover Cable (PACCAR® MX)
	EEHD219016	Soft Side Carry Case
	EEHD219017	Heavy-Duty Carry Case with Foam
	EEHD4001-025	Battery Pack
	EEHD905008	Fault Code Guide