



MODEL: H180~H40LD

- 操作簡便 - EASY OPERATION
- 流量可任意調整 - ADJUSTABLE
- 精確計量 - ACCURATE DOSING
- 堅固耐用 - DURABLE
- 高耐藥性 - HIGH CHEMICAL RESISTANCE



**PVC 本體(雙頭式)
PVC Head (Double Head)**

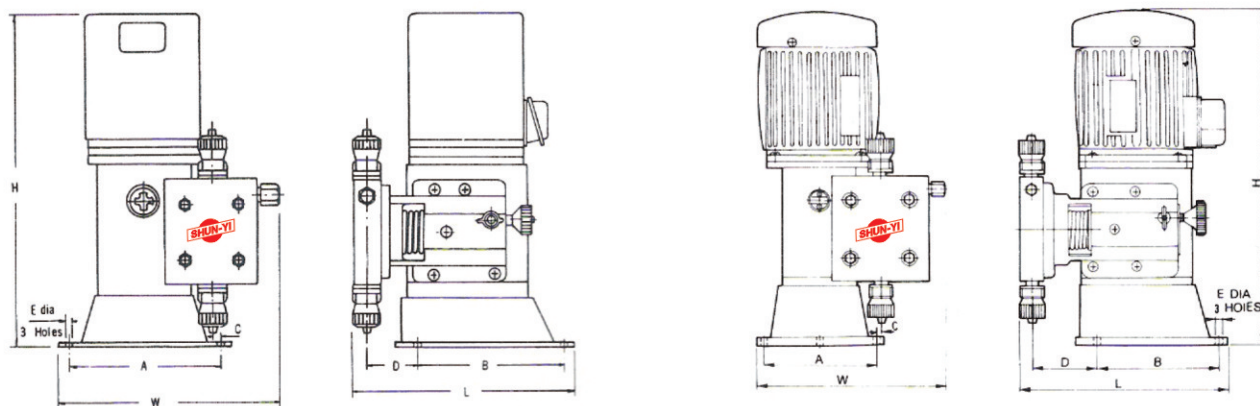


**壓克力本體(單頭式)
Acrylic Head (Single Head)**

機型與規格 MODEL & SPECIFICATIONS

規格表 Specifications :

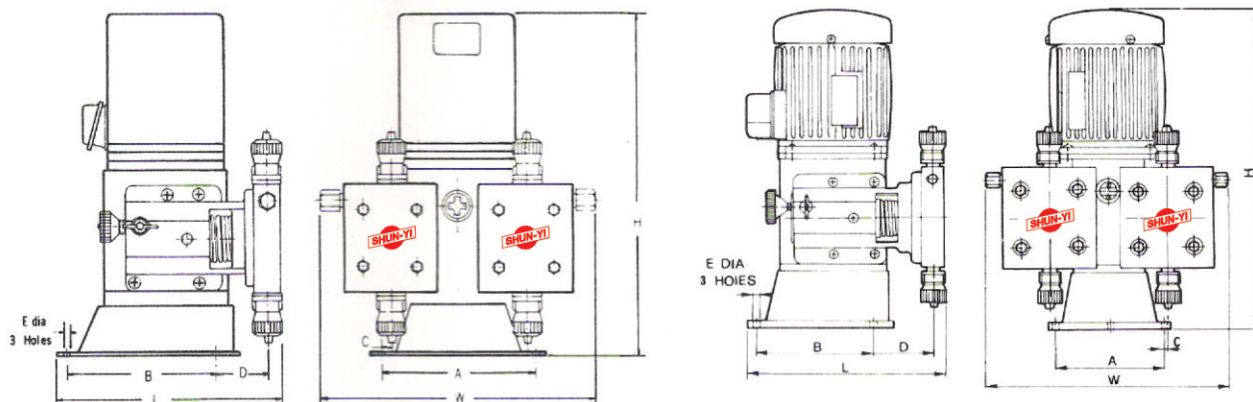
| 型 式 MODEL | 最大能量 (壓力0kg/cm ²) Max. Capacity at 0kg/cm ² | | | 最大吐出壓力 Max Discharge Pressure (kg/cm ²) | 泵 浦 速 度 Pump Speed (Spm) | 逆 止 閥 Check Valve (Size) | 馬 達 Motor (HP) | PVC軟管 內徑規格 ID SIZE |
|--------------|---|--------|------|---|--------------------------------|--------------------------------|----------------------|--------------------------|
| | 60Hz | | 50Hz | | | | | |
| | ml/min | ml/min | l/hr | | | | | |
| H-180 | 10~180 | 150 | 9 | 4.5 | 36 | 3/8", 1/2" | 1/20 | 1/4" |
| H-300 | 30~300 | 250 | 15 | 4.5 | 36 | 1/2", 3/4" | 1/8 | 3/8" |
| H-600 | 60~600 | 500 | 30 | 4.5 | 44 | 1/2", 3/4" | 1/8 | 3/8" |
| H-360D | 10~180×2 | 300 | 18 | 4.5 | 36 | 3/8", 1/2" | 1/20 | 1/4" |
| H-600D | 30~300×2 | 500 | 30 | 4.5 | 36 | 1/2", 3/4" | 1/8 | 3/8" |
| H-1200D | 60~600×2 | 1000 | 60 | 4.5 | 44 | 1/2", 3/4" | 1/8 | 3/8" |
| H-1000 | 100~1000 | 833 | 50 | 4.5 | 46 | 1/2", 3/4" | 1/4 | 3/8" |
| H-2000 | 200~2000 | 1667 | 100 | 4.5 | 46 | 3/4" | 1/4 | 1/2" |
| H-4000 | 400~4000 | 3333 | 200 | 4.5 | 46 | 3/4" | 1/2 | 5/8" |
| H-2000D | 100~1000×2 | 1667 | 100 | 4.5 | 46 | 1/2", 3/4" | 1/4 | 3/8" |
| H-4000D | 200~2000×2 | 3333 | 200 | 4.5 | 46 | 3/4" | 1/4 | 1/2" |
| H-8000D | 400~4000×2 | 6667 | 400 | 4.5 | 46 | 3/4" | 1/2 | 5/8" |
| H-7L | 0.7L~7L | 5833 | 350 | 4.5 | 53 | 1" | 1 | 3/4" |
| H-15L | 1.5L~15L | 12500 | 750 | 3 | 41 | X | 1 | 不附管NO USE |
| H-20L | 2~20L | 16667 | 1000 | 3 | 41 | X | 2 | 不附管NO USE |
| H-14LD | 0.7L~7L×2 | 11667 | 700 | 4.5 | 53 | 1" | 1 | 3/4" |
| H-30LD | 1.5L~15L×2 | 25000 | 1500 | 3 | 41 | X | 1 | 不附管NO USE |
| H-40LD | 2~20L×2 | 33333 | 2000 | 3 | 41 | X | 2 | 不附管NO USE |



SINGLE HEAD TYPE

單位：mm

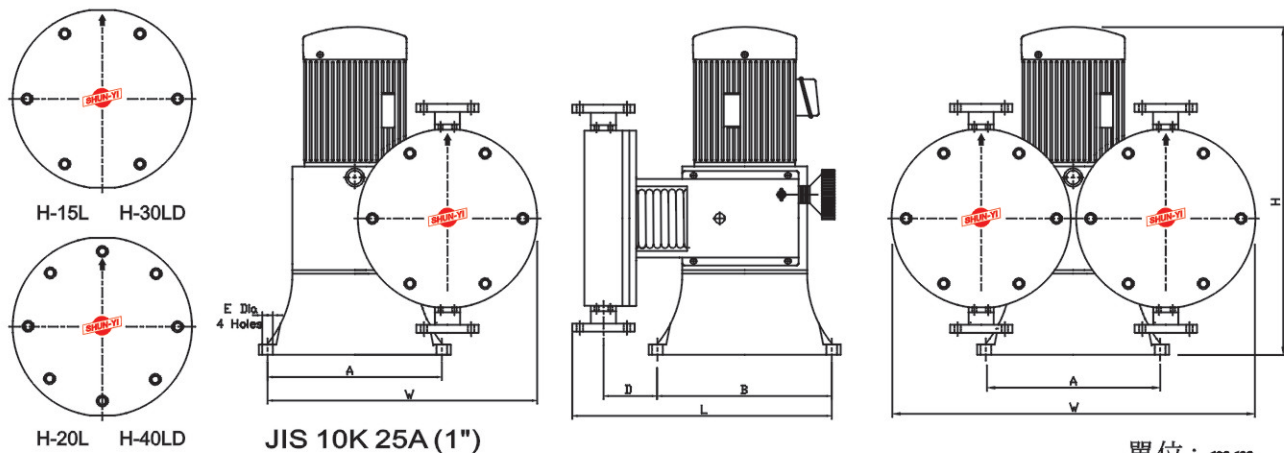
| 型式 MODEL | A | B | D | H | W | L | E Dia (mm) | 淨重 N/W |
|-------------------|-----|-----|-----|-----|-----|-----|---------------|-----------|
| H-180 (1 ϕ) | 130 | 125 | 60 | 307 | 200 | 210 | 6.5 | 10 |
| H-180 (3 ϕ) | 130 | 125 | 60 | 281 | 200 | 210 | 6.5 | 9 |
| H-300 | 155 | 116 | 50 | 300 | 215 | 190 | 7.5 | 16 |
| H-600 | 155 | 116 | 67 | 330 | 238 | 204 | 7.5 | 16 |
| H-1000 | 165 | 145 | 96 | 419 | 362 | 271 | 9 | 26.5 |
| H-2000 | 165 | 145 | 105 | 415 | 270 | 286 | 9 | 27 |
| H-4000 | 197 | 153 | 78 | 485 | 313 | 295 | 10 | 39 |
| H-7L | 236 | 160 | 151 | 535 | 377 | 346 | 10.5 | 56 |



DOUBLE HEAD TYPE

單位：mm

| 型式 MODEL | A | B | D | H | W | L | E Dia (mm) | 淨重 N/W |
|-------------------|-----|-----|-----|-----|-----|-----|---------------|-----------|
| H-360D(1 ϕ) | 130 | 125 | 60 | 281 | 238 | 210 | 6.5 | 12.5 |
| H-360D(3 ϕ) | 130 | 125 | 60 | 281 | 238 | 210 | 6.5 | 11.5 |
| H-600D | 155 | 116 | 50 | 300 | 280 | 190 | 7.5 | 20 |
| H-1200D | 155 | 116 | 67 | 330 | 307 | 204 | 7.5 | 20 |
| H-2000D | 165 | 145 | 96 | 419 | 340 | 271 | 9 | 32 |
| H-4000D | 165 | 145 | 105 | 419 | 352 | 286 | 9 | 36 |
| H-8000D | 197 | 153 | 85 | 480 | 410 | 270 | 10 | 49 |
| H-14LD | 236 | 160 | 151 | 535 | 496 | 340 | 10.5 | 77.5 |

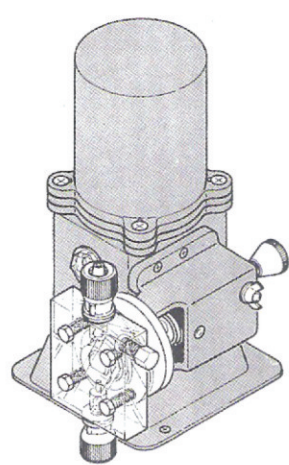


JIS 10K 25A (1")

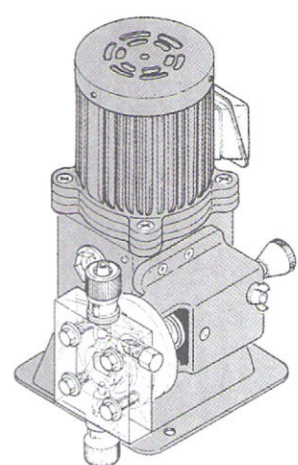
單位: mm

| 型式MODEL | A | B | D | H | W | L | E Dia(mm) | 淨重N/W |
|---------|-----|-----|-----|-----|-----|-----|-----------|-------|
| H-15L | 305 | 315 | 105 | 595 | 505 | 520 | 10 | 110 |
| H-20L | 305 | 315 | 174 | 670 | 415 | 495 | 10 | 115 |
| H-30LD | 305 | 315 | 105 | 595 | 640 | 520 | 10 | 145 |
| H-40LD | 305 | 315 | 174 | 670 | 630 | 495 | 10 | 150 |

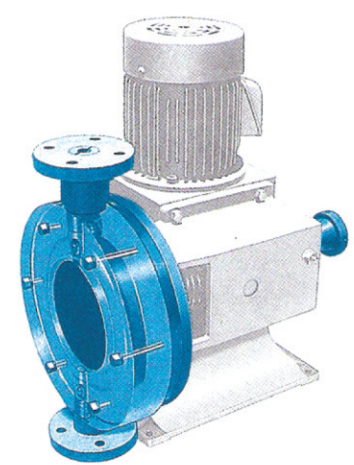
標準機型 STANDARD MODELS



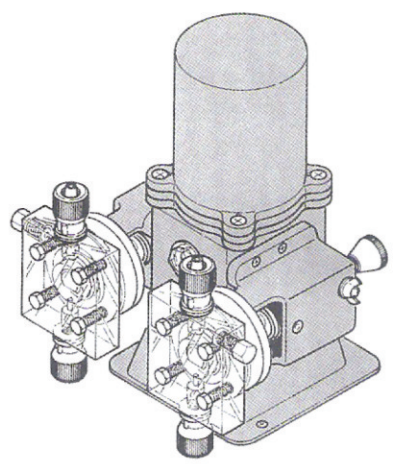
3 ϕ : H-180
H-300
H-600



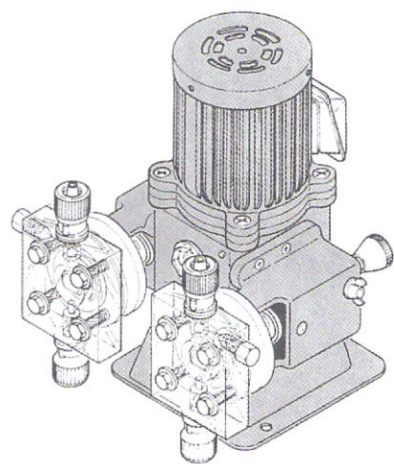
1 ϕ : H-180 H-300 H-600
3 ϕ : H-1000 H-2000
H-4000 H-7L



H-15L
H-20L



3 ϕ : H-360D
H-600D
H-1200D



1 ϕ : H-360D H-600D H-1200D
3 ϕ : H-2000D H-4000D
H-8000D H-14LD

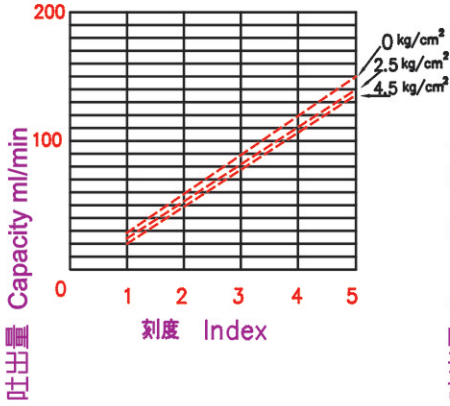


H-30LD
H-40LD

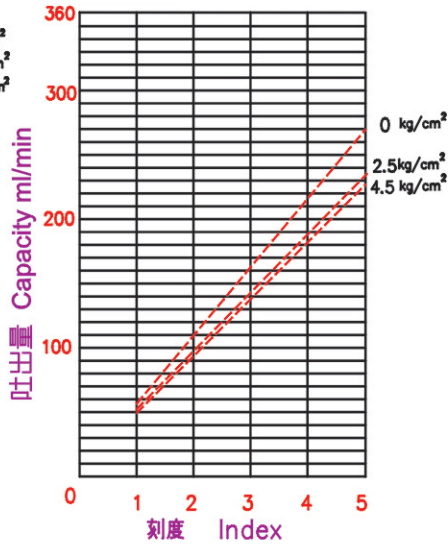
吸量曲線表 CAPACITY PERFORMANCE CURVE

50HZ 性能曲線表 / Performance Curve

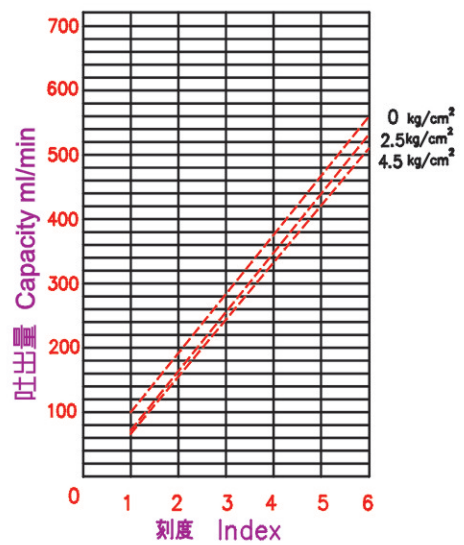
H-180 H-360D



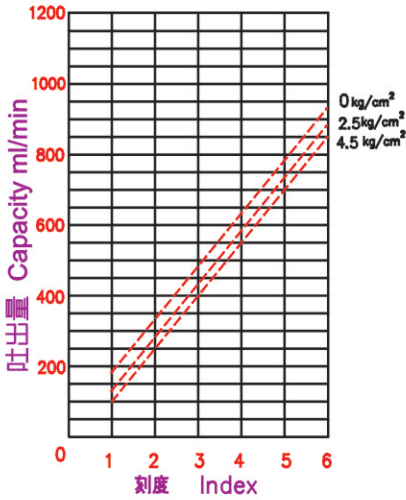
H-300 H-600D



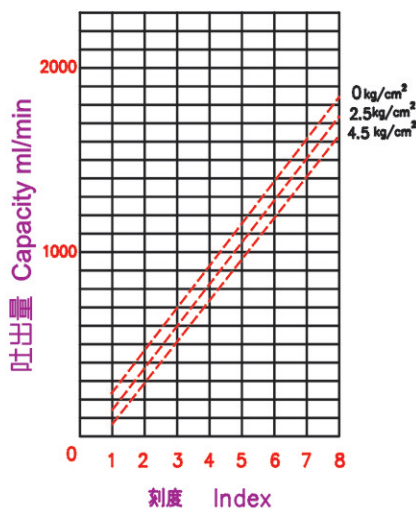
H-600 H-1200D



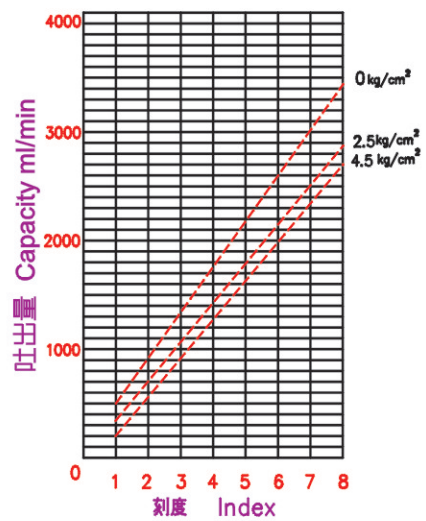
H-1000 H-2000D



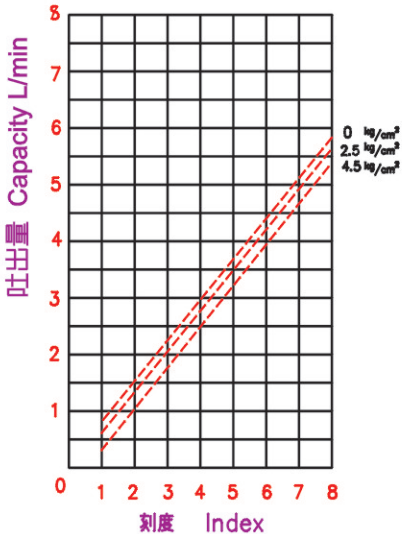
H-2000 H-4000D



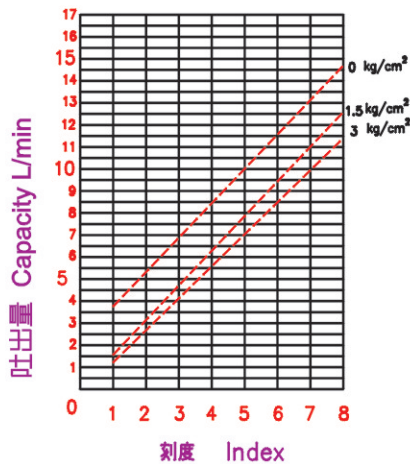
H-4000 H-8000D



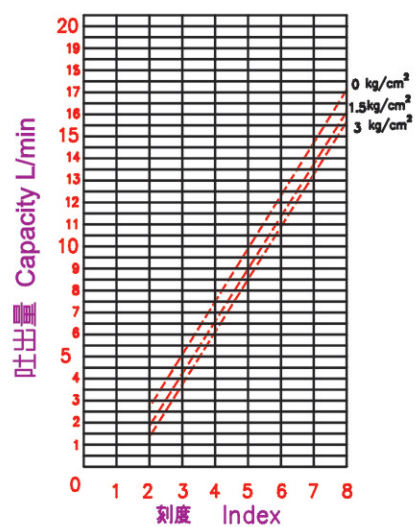
H-7L H-14LD



H-15L H-30LD



H-20L H40LD



吸量曲線表 CAPACITY PERFORMANCE CURVE

60HZ 性能曲線表 / Performance Curve

